

Dell Energy Smart Rack
Enclosure

Installation Guide

Guide d'installation
Installationsanleitung

設置ガイド

Guía de instalación



Dell Energy Smart Rack
Enclosure
Installation Guide



Notes, Cautions, and Warnings



NOTE: A NOTE indicates important information that helps you make better use of your computer.



CAUTION: A CAUTION indicates potential damage to hardware or loss of data if instructions are not followed.



WARNING: A WARNING indicates a potential for property damage, personal injury, or death.

Information in this publication is subject to change without notice.

© 2011 Dell Inc. All rights reserved.

Reproduction of these materials in any manner whatsoever without the written permission of Dell Inc. is strictly forbidden.

Trademarks used in this text: Dell™, the DELL logo, and PowerEdge™ are trademarks of Dell Inc.

Other trademarks and trade names may be used in this publication to refer to either the entities claiming the marks and names or their products. Dell Inc. disclaims any proprietary interest in trademarks and trade names other than its own.

Contents

Safety Instructions	5
SAFETY: Rack Mounting of Systems	5
Rack Installation Instructions	6
Rack Specifications	6
Before You Begin	7
Recommended Tools and Supplies	8
Installing Rack Cabinets	8
Opening and Closing the Front Rack Door	9
Removing and Replacing the Rack Doors	9
Removing and Replacing the Side Panels	13
Installing the Brushes	16
Removing and Replacing the Extension Service Cover	18
Removing and Replacing the Extension	20
Reversing the Front Door (Optional)	21
Securing the Rack Leveling Feet	29
Installing the Rack Stabilizer Feet	31
Adjusting the Rear Rack Posts (Optional)	34
Routing Cables	36
Coupling Two Racks	41

Safety Instructions

Use the following safety guidelines to ensure your own personal safety and to protect your equipment and working environment from potential damage. For complete safety and regulatory information, see the safety instructions that shipped with your equipment. Warranty information may be included in this document or as a separate document.

SAFETY: Rack Mounting of Systems

Observe the following precautions for rack stability and safety. Also see the rack installation documentation accompanying the system and the rack for specific caution statements and procedures.

Systems are considered to be components in a rack. *Component* refers to any system as well as to various peripherals or supporting hardware.



CAUTION: Instructions for Rack-Mounted Systems:

- Your rack kit has been approved only for the rack cabinet provided. It is your responsibility to ensure that installation of the equipment into any other rack complies with all applicable standards. Dell disclaims all liability and warranties with respect to combinations of equipment with any other rack.
- The rack enclosure is cooled by air through the vented tiles of a raised floor. The rack enclosure should be positioned over the vented tiles before installing components in the enclosure.
- Before installing your equipment in a rack, ensure that the rack is properly secured as directed in "Installing the Rack Stabilizer Feet" on page 31.
- Always load from the bottom up and load the heaviest items first.
- Do not overload the AC power supply branch circuit that provides power to the rack.
- Do not stand or step on any components in the rack.

- The air channel located at the bottom of the rack is used to direct cool air from the floor to the front of the rack enclosure. The air channel must *always* remain at the bottom of the rack (in 1U and 2U) and must not be moved to a different location in the rack.
- Do not use the air channel as a step or as a shelf to support components.



WARNING: All brushes supplied must be installed and the brush bristles must be in contact with the floor to form a seal around the bottom perimeter of the rack enclosure. Removing the brushes may reduce the cooling efficiency within the enclosure.



WARNING: The extension service cover must only be removed when installing or removing components from the upper rack unit spaces and must be reinstalled immediately. Components in the rack may overheat if the extension service cover is not installed in the rack enclosure.

Rack Installation Instructions

This installation guide provides instructions for trained service technicians installing a rack enclosure. Information includes assembling the rack, coupling two racks, and routing cables through the rack. The rack can be installed using the recommended tools.






Before attempting this installation, read through this entire procedure carefully.

Rack Specifications






NOTE: The rack meets the specifications of American National Standards Institute (ANSI), Electronics Components Association (ECA) Standard EIA/ECA-310-E, International Electrotechnical Commission (IEC) 60297-3-100, and Deutsche Industrie Norm (DIN) 41494.

Before You Begin

-  **WARNING:** Before you begin installing your rack, carefully read "Important Safety Information" on page 7 and the safety instructions that came with the rack.
-  **WARNING:** When installing multiple systems in a rack, complete all the procedures for the current system before attempting to install the next system.
-  **WARNING:** Rack cabinets can be extremely heavy and can move easily on the casters. The cabinet has no brakes. Use extreme caution while moving the rack cabinet. Retract the leveling feet when relocating the rack cabinet. Avoid long or steep inclines, rough surfaces, or ramps where loss of cabinet control may occur. Extend the leveling feet for support and to prevent the cabinet from rolling.
-  **WARNING:** Avoid rolling the rack cabinet over rough surfaces. Hard impacts to the casters could cause them to break and the rack can become unstable and may tip over.
-  **WARNING:** Do not attempt to move your rack with components installed. If you move a fully loaded rack on a slightly uneven surface, the rack can become unstable and may tip over.

Important Safety Information

Observe the safety precautions in the following subsections when installing your system in the rack.

-  **WARNING:** You must strictly follow the procedures in this document to protect yourself as well as others who may be involved. Your system may be very large and heavy and proper preparation and planning are important to prevent injury to yourself and to others. This becomes increasingly important when systems are installed high up in the rack. Also verify that the vented tiles and floor sub-structure are rated to support the weight of the rack enclosure with all the components installed.
-  **WARNING:** Before installing systems in a rack, install front and side stabilizers on stand-alone racks or the front stabilizers on racks joined to other racks. Failure to install stabilizers accordingly before installing systems in a rack could cause the rack to tip over, potentially resulting in bodily injury under certain circumstances.
-  **WARNING:** After installing systems in a rack, never pull more than one system out of the rack on its slide assemblies at one time. The weight of more than one extended system could cause the rack to tip over and cause injury.

Recommended Tools and Supplies

You may need the following tools and supplies to install the rack:

- #2 Phillips cross-tip screwdriver
- Flat head screwdriver
- 12 mm wrench
- 10 mm wrench (for reversing the front door)
- T20 Torx screwdriver (for reversing the front door)
- T30 Torx screwdriver (for reversing the front door)
- Keys to the rack doors and side panels
- 6 mm Allen wrench
- Adjustable wrench (for removing the rack from the pallet)

Installing Rack Cabinets

Installing a rack cabinet may involve:

- 1 Opening and closing the front rack door
- 2 Removing and replacing the rack doors
- 3 Removing and replacing the side panels
- 4 Installing the brushes
- 5 Removing and replacing the extension service cover
- 6 Removing and replacing the extension
- 7 Reversing the front door
- 8 Securing the rack leveling feet
- 9 Installing the rack stabilizer feet
- 10 Adjusting the rear rack posts
- 11 Routing cables
- 12 Coupling two racks

Opening and Closing the Front Rack Door

To open the front rack door:

- 1 Press in on the handle lock cylinder where the key is inserted. See Figure 1.
- 2 After the handle is released, pull it upwards to release the door from the catches. See Figure 1.
- 3 Open the front door all the way. See Figure 1.

To close the door:

- 1 Push the door frame evenly against the extension frame and ensure that the door is in contact with the extension frame.
- 2 Push the handle down to latch the door.

Removing and Replacing the Rack Doors



WARNING: Never attempt to remove or install the rack cabinet doors by yourself. Due to the size and weight of the rack cabinet doors, this procedure requires at least two people.

Removing the Front Door

- 1 Open the rack door. See "Opening and Closing the Front Rack Door" on page 9.
- 2 While holding the door, remove the hinge pins starting from the bottom of the rack. Ensure that the top hinge pin is the last pin to be removed from the door.

To remove the hinge pin:

- a Pull the hinge pin so that it clears the hinge-pin housing on the door. For the hinge pins located at the bottom of the door, pull the two hinge pins downward. For the hinge pins located at the top of the door, pull the two hinge pins upward. See Figure 1.
The hinge pin's retention clip prevents the hinge from being completely pulled out of the hinge body.
- b Pull the door slightly away from the rack so that the door clears the hinge body.



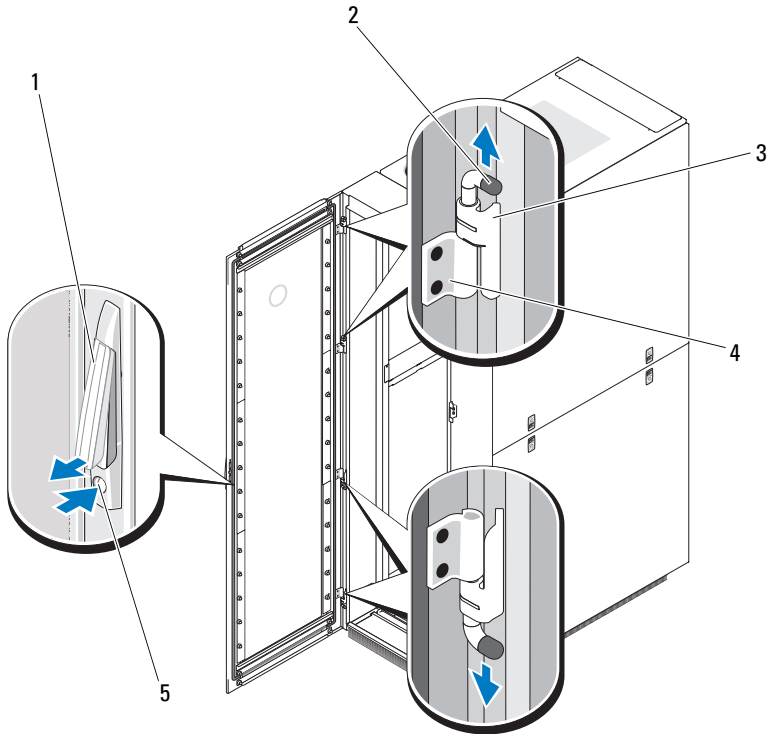
WARNING: When storing the doors, lay the doors flat so they do not fall over and accidentally injure someone.



WARNING: Due to the size and weight of the door, it is recommended that you lay the removed door flat with its outer surface facing upward.

- 3 Lay the door in a safe location with the door's outer surface facing upward to prevent damage to the door's badge and cosmetic coating.

Figure 1. Removing the Front Door



- 1 handle
- 3 hinge body
- 5 lock cylinder

- 2 hinge pins (4)
- 4 hinge-pin housings (4)

Replacing the Front Door

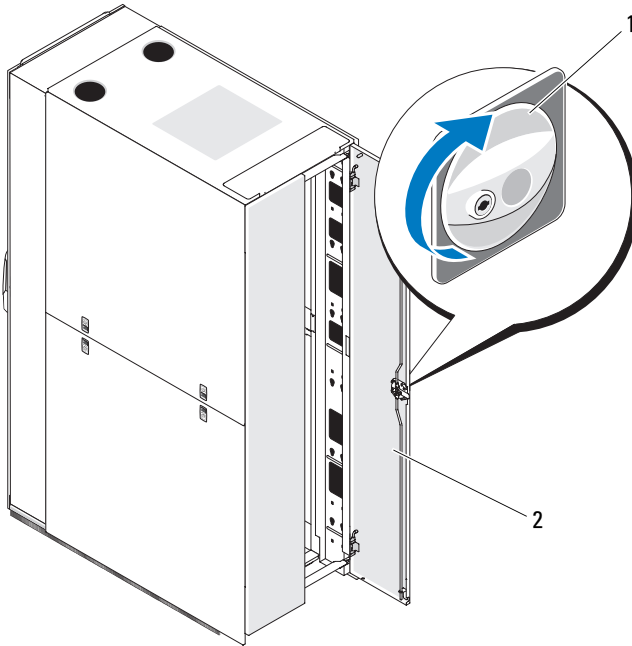
To replace the front door, follow the steps for removing the front door in the reverse order.

Removing the Back Doors

⚠ WARNING: Never attempt to remove or install the rack cabinet doors by yourself. Due to the size and weight of the rack cabinet doors, this procedure requires two people.

- 1 Rotate the door handle one-quarter turn clockwise to open the back doors. See Figure 2.

Figure 2. Opening the Back Doors



1 door handle

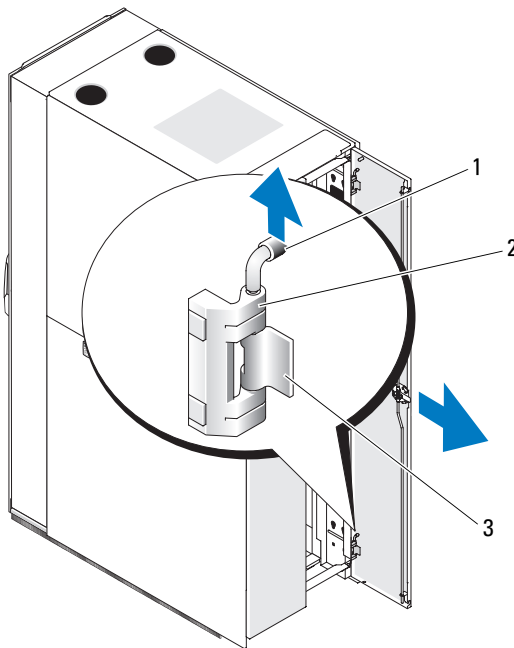
2 back doors (2)

- 2 Remove the right back door.
 - a While supporting the door, pull the pin for the top hinge out of the door's hinge-pin housing. See Figure 3.

You hear a click sound as you pull the pin out of the door's hinge-pin housing. The hinge pins are designed to prevent them from being pulled out of the hinge body.

- b Repeat step a for the bottom hinge.
- c Pull the door away from the rack.

Figure 3. Removing the Back Doors



- | | | | |
|---|-------------------|---|------------|
| 1 | hinge pin | 2 | hinge body |
| 3 | hinge-pin housing | | |

⚠ WARNING: Due to the size and weight of the door, it is recommended that you lay the removed door flat with its outer surface facing upward.

- d Lay the door in a safe location with the door's outer surface facing upward.



NOTE: Lay the door flat with the outer surface facing upward to prevent damage to its cosmetic coating.

- 3 Repeat step a through step d for the left back door.

Replacing the Back Doors

To replace the back doors, follow the steps for removing the back doors in the reverse order.

Removing and Replacing the Side Panels



NOTE: Remove the lower side panels in order to install the side brushes and the side stabilizer feet.



NOTE: Although removing the side panels is not mandatory for installing systems in a rack, having the sides open makes it easier to install slide assemblies and support rails and to reverse the direction that the front door opens.

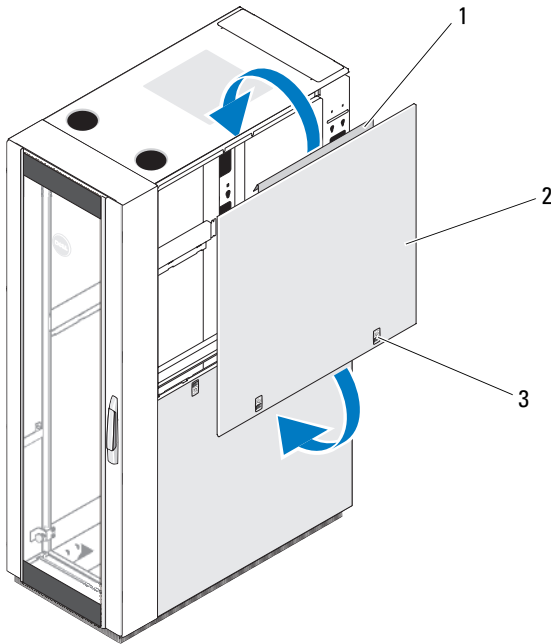
Removing the Upper Side Panels

- 1 Push both latches up and swing the bottom end of the panel away from the rack. See Figure 4.
- 2 Grasp firmly on each side of the panel.
- 3 Lift the panel upward until the panel lip clears the top of the rack.
- 4 Lay the panel in a safe location with the panel's outer surface facing upward to prevent damage to its cosmetic coating.
- 5 Repeat step 1 through step 4 for the other upper side panel.

Replacing the Upper Side Panels

- 1 Lift the upper side panel up onto the rack, hooking the panel lip over the top of the rack. See Figure 4.
- 2 Swing the bottom of the panel downward onto the rack.
- 3 Press the panel into the rack until both latches lock into place.

Figure 4. Replacing the Upper Side Panels



- 1 panel lip
- 2 upper side panel
- 3 latches (2)

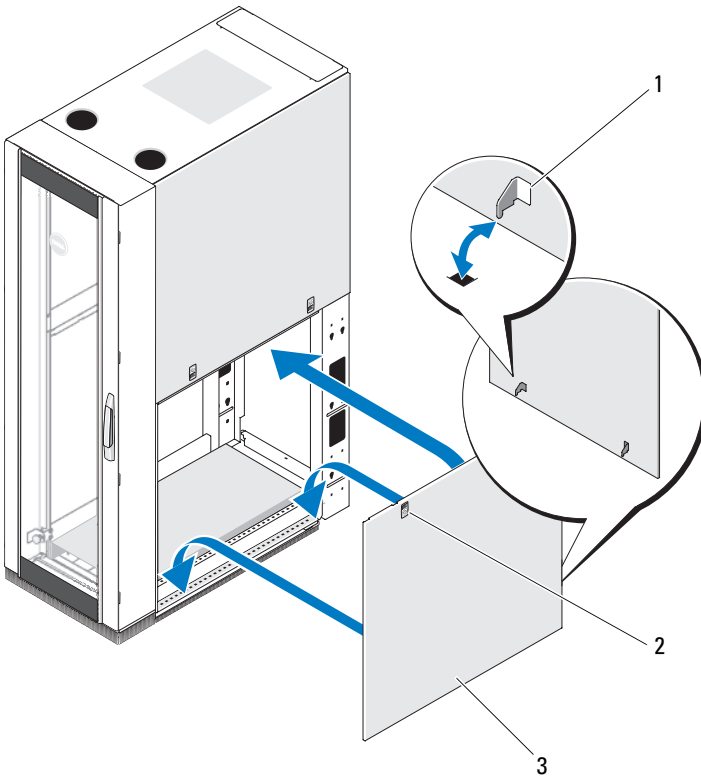
Removing the Lower Side Panels

- 1 Pull both latches down and allow the side panel to swing outward slightly at the top.
- 2 Firmly grasp both sides of the panel.
- 3 Lift the panel upward until the panel hooks clear the holes in the bottom of the rack frame.
- 4 Place the panel in a safe location with the panel's outer surface facing upward to prevent damage to its cosmetic coating.
- 5 Repeat step 1 through step 4 for the other lower side panel.

Replacing the Lower Side Panels

- 1 Lower the panel into the rack, inserting the panel hook into the back hole in the bottom of the rack frame and the front hook into the corresponding hole in the front of the rack frame. See Figure 5.
- 2 Swing the top end of the panel toward the rack.
- 3 Press the panel into the rack until both latches lock into place.


Figure 5. Replacing the Lower Side Panels



- 1 panel hooks (2)
- 3 lower side panel

- 2 latches (2)

Installing the Brushes

 **WARNING: All brushes supplied must be installed and the brush bristles must be in contact with the floor to form a seal around the bottom perimeter of the rack enclosure. Removing the brushes may reduce the cooling efficiency within the enclosure.**

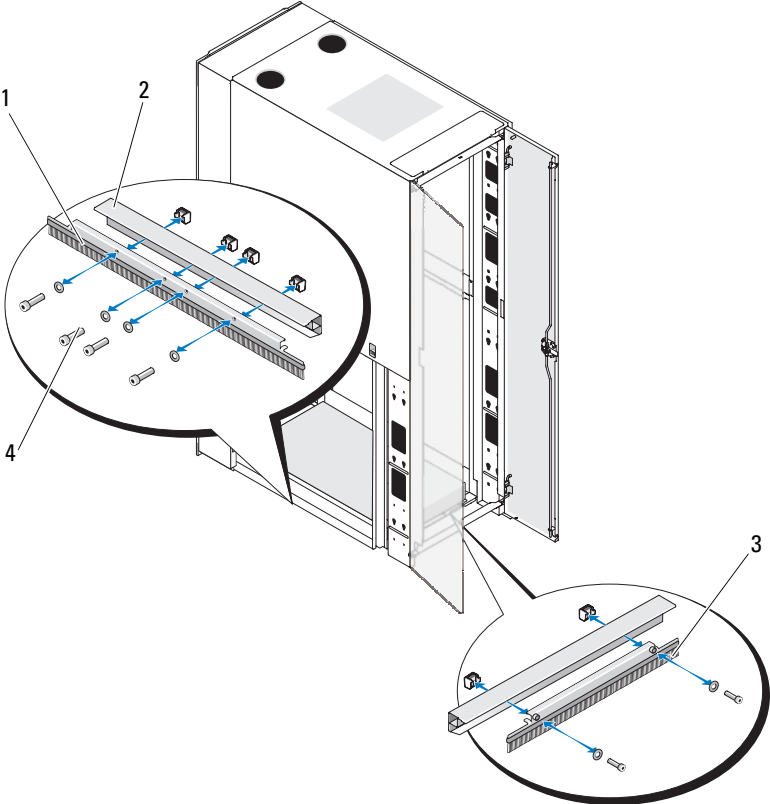
To install the brushes on the side of the rack:

- 1 Remove the lower side panel. See "Removing the Lower Side Panels" on page 14.
- 2 Align the brush bracket with the rack frame and insert the brush bracket into the rack frame. See Figure 6.
- 3 Secure the brush bracket using the four bolts and washers. See Figure 6.
- 4 Replace the lower side panel. See "Replacing the Lower Side Panels" on page 15.
- 5 Repeat step 1 through step 4 for the other side of the rack.

To install the brush at the back of the rack:

- 1 Rotate the door handle one-quarter turn clockwise to open the back doors. See Figure 2.
- 2 Align the brush bracket with the rack frame and insert the brush bracket into the rack frame. See Figure 6.
- 3 Secure the brush bracket using the two bolts and washers. See Figure 6.
- 4 Close the back door.

Figure 6. Installing and Removing the Brushes



- 1 side brush brackets (2)
- 2 rack frame
- 3 back brush bracket
- 4 bolts and washers

Removing and Replacing the Extension Service Cover



WARNING: The extension service cover must only be removed when installing or removing components from the upper rack unit spaces and must be reinstalled immediately. Components in the rack may overheat if the extension service cover is not installed in the rack enclosure.



NOTE: Do not use the extension service cover as an outlet to route cables out of the rack.

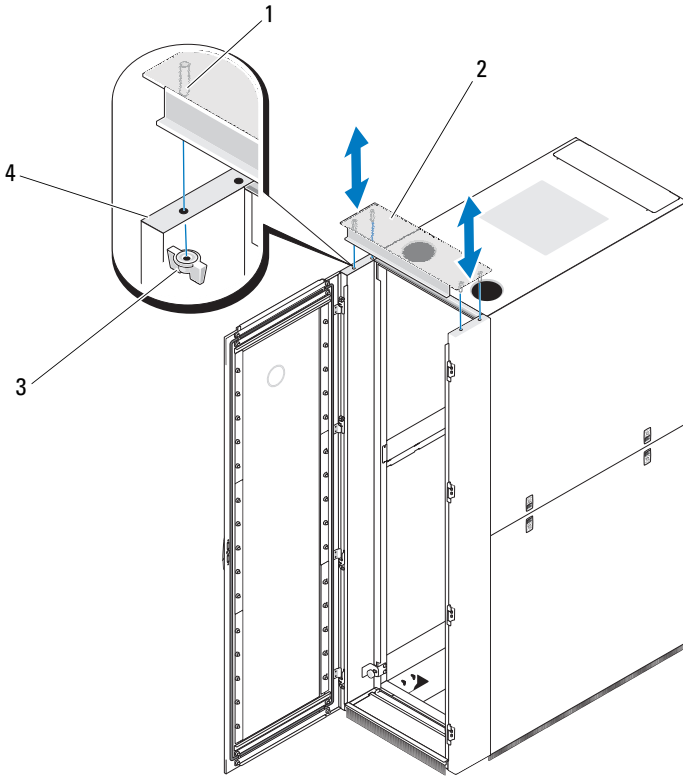


NOTE: Removing the extension service cover allows you to install and service the equipment in the upper rack unit spaces more easily.

Removing the Extension Service Cover

- 1 Loosen and remove the four wing nuts located on the top surface inside of the extension. See Figure 7.
- 2 Lift the extension service cover until the studs clear the holes in the extension.
- 3 Remove the extension service cover.

Figure 7. Removing and Replacing the Extension Service Cover



- | | | | |
|---|---------------|---|-------------------------|
| 1 | studs (4) | 2 | extension service cover |
| 3 | wing nuts (4) | 4 | extension |

Replacing the Extension Service Cover

- 1** Align the studs with the holes in the extension and lower the extension service cover on to the top of the rack. See Figure 7.
- 2** Install the four wing nuts.

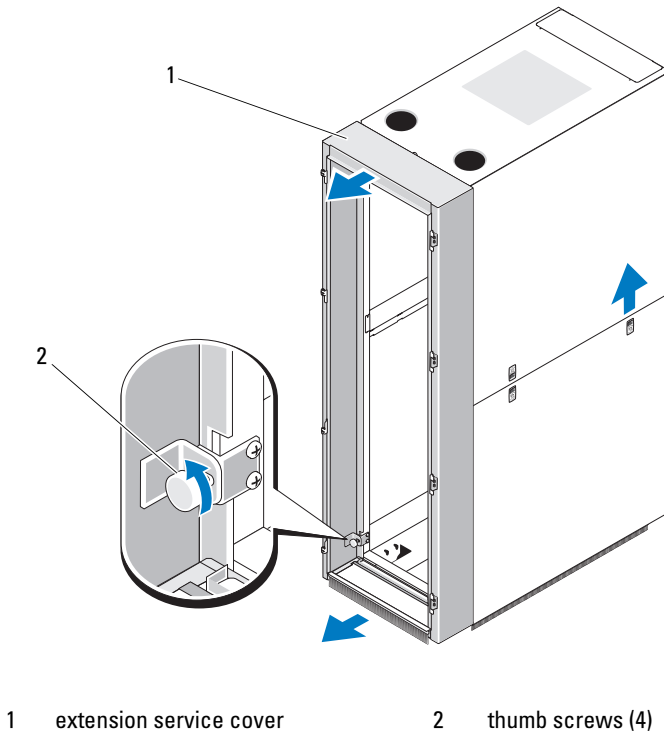
Removing and Replacing the Extension

⚠ WARNING: Never attempt to remove or install the extension by yourself. Due to the size and weight of the extension, this procedure requires at least two people.

Removing the Extension

- 1 Remove the front door. See "Removing the Front Door" on page 9.
- 2 Ensure that the extension service cover is installed. See Figure 8.
- 3 Remove the four thumb screws that secure the extension to the rack.
- 4 Lift the extension and slide it away from the rack. See Figure 8.

Figure 8. Removing and Replacing the Extension



Replacing the Extension

To replace the extension, perform the steps for removing the extension in the reverse order.

Reversing the Front Door (Optional)

To reverse the direction that the front door opens, complete the following steps:

- 1 Remove the front door. See "Removing the Front Door" on page 9.
- 2 Using a T30 Torx screwdriver and a 10 mm wrench, remove the screws that secure the hinges to the extension. See Figure 9.

The top two hinges have the number 1 marked on them and the bottom two hinges have the number 2 marked on them.



NOTE: The orientation of the number 1 is upside down and the orientation of the number 2 is right-side up.

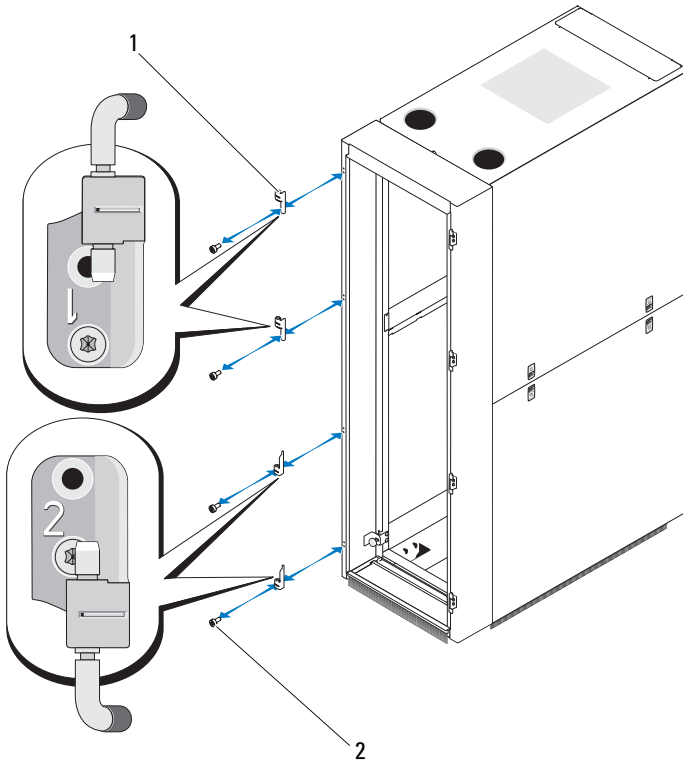


NOTE: While removing the screws, collect the loose nuts from the inside of the extension.



NOTE: Each hinge is secured to the extension using only one screw and all the screws are installed in the lower hinge hole.


Figure 9. Removing the Hinges From the Extension



1 hinges (4)

2 screws and nuts (4 each)

- 3 Using a T30 Torx screwdriver and a 10 mm wrench, remove the screws that secure the catches to the extension. See Figure 10.

 **NOTE:** While removing the screws, collect the loose nuts from the inside of the extension.


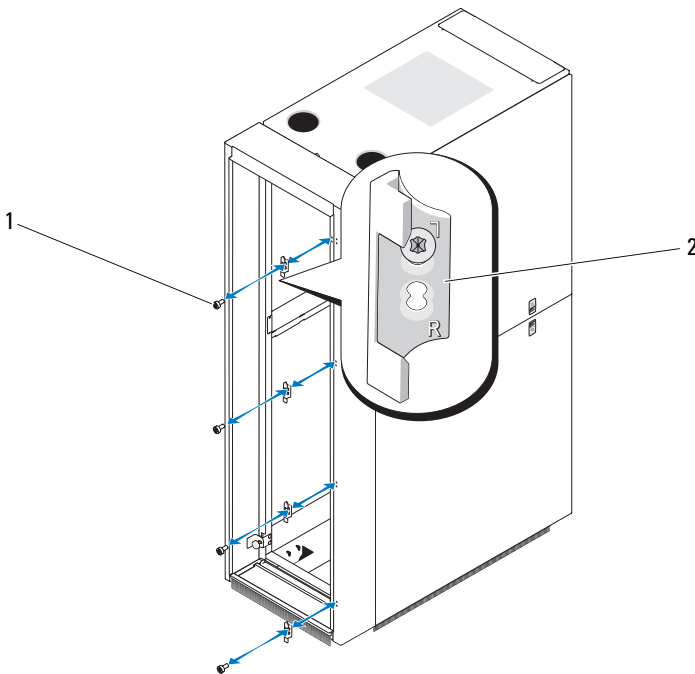
 **NOTE:** Each catch has an L character on one end and an R character at the other end. The catches are oriented such that the screw is installed in the top most hole for all the catches. The screws for the catches are installed in the hole that is closest to the L character.

Figure 10. Removing the Catches From the Extension



1 screws and nuts (4 each)

2 catches (4)

- 4 Flip the catches and secure them on the opposite side of the extension using screws and nuts. See Figure 11.


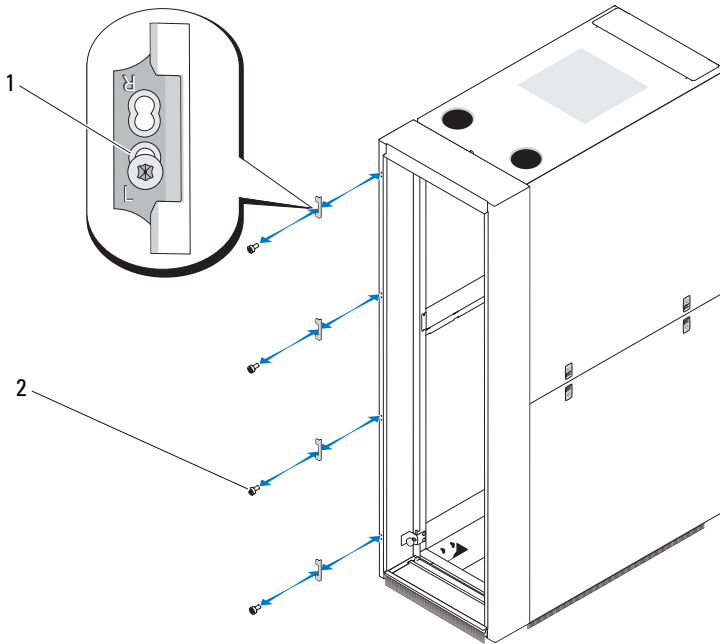
 **NOTE:** You must orient the catches such that the screw is installed at the bottom most hole for all catches. The screw for each catch is installed in the hole that is closest to the L character.

Figure 11. Installing the Catches on the Extension




1 catches (4)

2 screws and nuts (4 each)

- 5 Flip the hinges and secure them on the opposite side of the extension using screws and nuts. See Figure 12.

The two hinges at the top have the number 1 marked on them and the bottom two hinges have the number 2 marked on them.

 **NOTE:** The orientation of the number 1 is right-side up and the orientation of the number 2 is upside down.


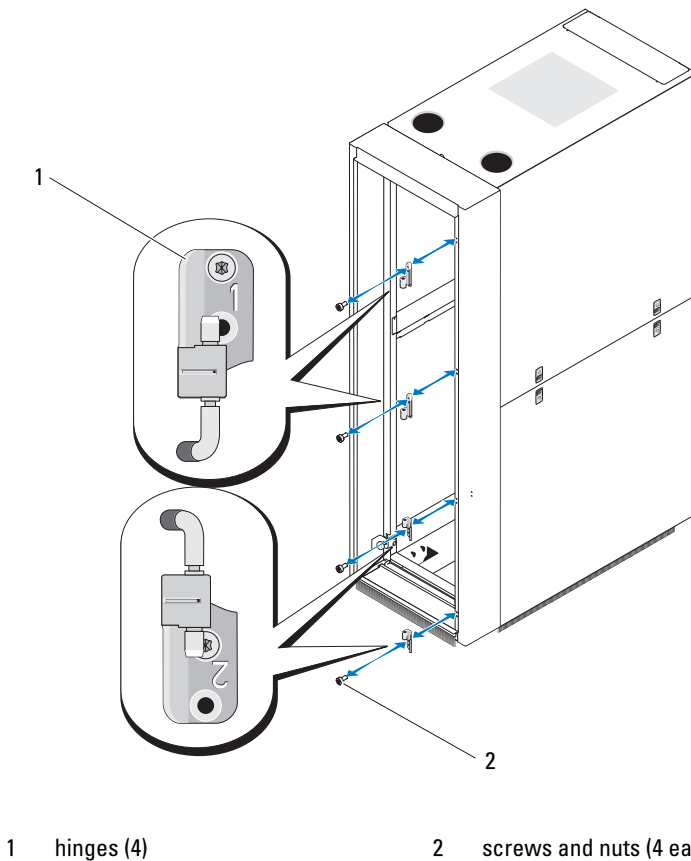
 **NOTE:** Each hinge is secured to the extension using only one screw and all the screws are installed in the top hole.

Figure 12. Installing the Hinges on the Extension



- 6 Rotate the window.
 - a Place the door down on the floor.
 - b Using a 10 mm wrench, remove all the nuts that secure the window to the front door. See Figure 13.

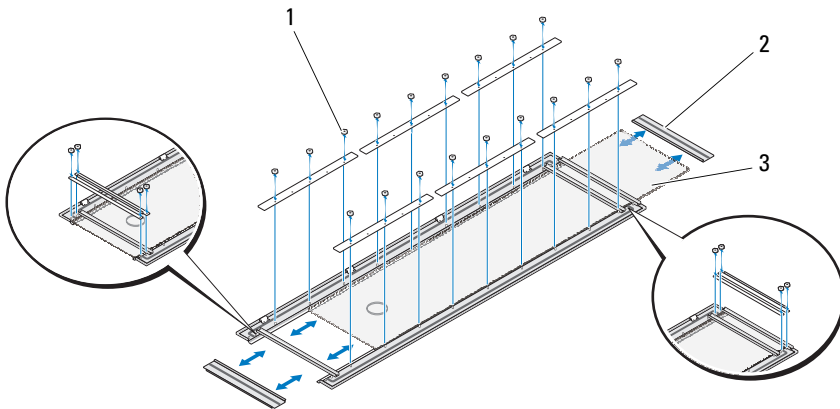
NOTE: It is recommended that you place the door on a smooth and clean surface in order to minimize risk of scratching the window and the Dell badge.

 - c Remove the top and bottom end caps and slide the window out through the top or bottom end of the door. See Figure 13.

NOTE: While reinstalling the window, ensure that the Dell badge is on the same side of the door as the handle.

 - d Rotate the window and slide it back into the door such that the badge is now located at opposite end of the door.
 - e Install the top and bottom end caps and install all the nuts that secure the window to the front door. See Figure 13.

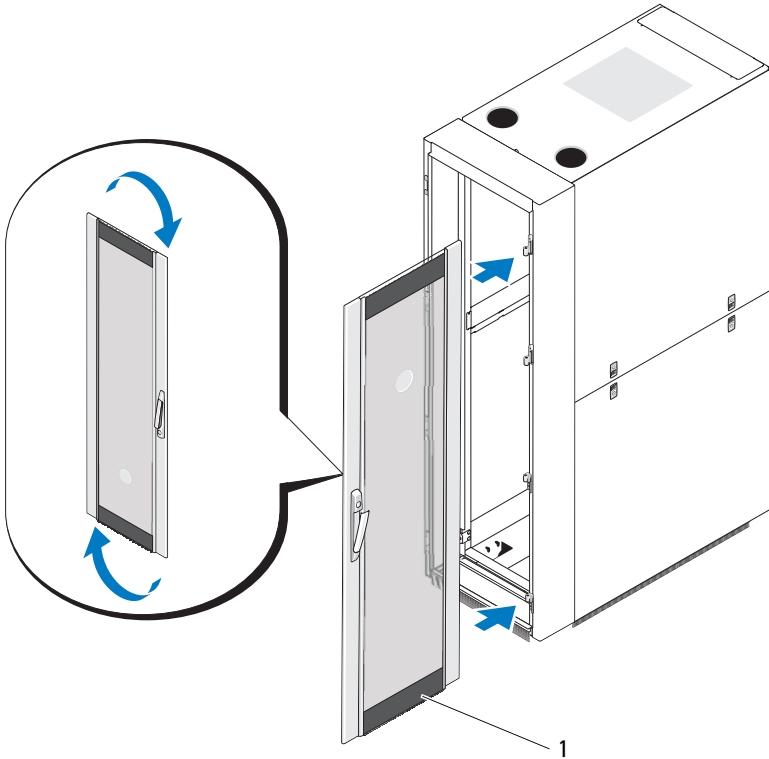
Figure 13. Rotating the Front Door Window



- | | | | |
|---|--------|---|--------------|
| 1 | nuts | 2 | end caps (2) |
| 3 | window | | |

- 7 Replace the front door with the hinge pin housings located on the right and the latch located on the left side of the door. See Figure 14.

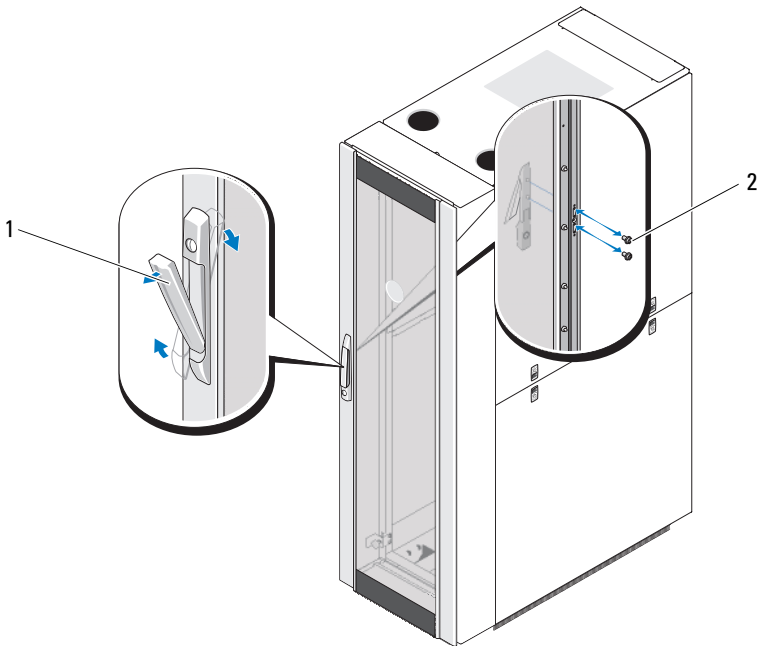
Figure 14. Installing the Front Door



1 front door

- 8 Rotate the handle.
 - a Open the handle and ensure that the two screws are accessible.
 - b Mark the linkage position relative to the inside door trim using a piece of tape or a marking device. See Figure 15.
 - c Using a T20 Torx screwdriver, remove the two screws that secure the handle. See Figure 15.
 - d Rotate the handle. See Figure 15.


Figure 15. Rotating the Front Door Handle



1 handle

2 screws (2)


- e With the handle in the open position and linkage marks aligned, align the handle holes and install the screws. See Figure 15.


 **NOTE:** If a piece of tape was used to mark the linkages, remove the tape.


Securing the Rack Leveling Feet


 **WARNING:** Read all statements below before you adjust the leveling feet.


- The Energy Smart rack must be positioned above the perforated tiles.
- Your rack includes four leveling feet, which are mounted near the corners of the rack frame.
- The leveling feet are designed to align the rack in an upright, level position when the rack is placed on a slightly uneven floor surface.
- Before you install your systems in the rack, adjust the leveling feet.
- Adjust the leveling feet after the rack is properly placed and the brushes surround the perforated area.


 **WARNING:** When you adjust the leveling feet, ensure that the casters on each corner of the rack do not rise more than 5.0 mm (3/16") above the floor. If you exceed 5.0 mm of clearance between the floor and the casters, *slowly* retract the leveling feet, and then move the rack to another location that requires minimal adjustments to the leveling feet.

 **WARNING:** Adjust the leveling feet until each leveling foot rests firmly on the floor. Proper contact with the floor ensures that each leveling foot is supporting the weight of the rack and prevents the rack from swaying in any direction. If the leveling feet are not all in firm contact with the floor, the rack can become unstable and tip over.

 **WARNING:** Do not attempt to move your rack with the leveling feet deployed. Always retract the leveling feet before moving the rack. Having the leveling feet deployed when you move the rack may cause the rack to tip over.

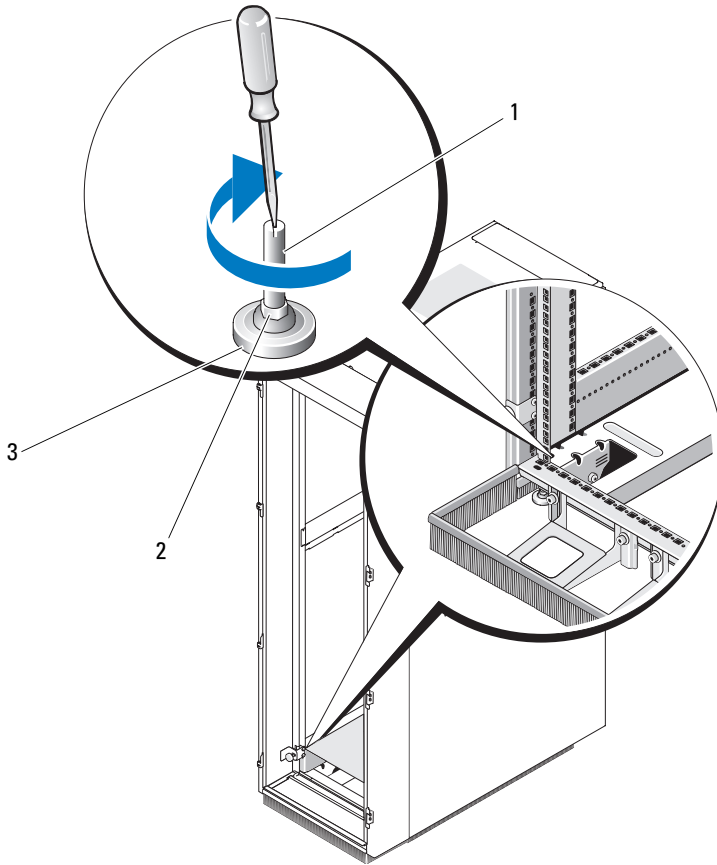
 **WARNING:** Always level the rack and install the stabilizer feet before you install your systems. A fully loaded rack may tip over if your rack is not resting on an even floor surface and the leveling and stabilizer feet are not supporting the weight of the rack.

 **NOTE:** If the rack is not leveled properly, you may not be able to install the stabilizer feet, which are necessary to prevent the rack from tipping over.

 **NOTE:** Ensure that all brushes are installed to maintain cooling efficiency.

- 1 Using a screwdriver, lower the leveling foot until it rests on the floor.
- 2 To lower the foot further, tighten the hex nut clockwise with a 12 mm wrench. See Figure 16.
- 3 Repeat step 1 and step 2 for the remaining leveling feet.
- 4 Ensure that the rack is level.

Figure 16. Adjusting the Leveling Feet



- 1 leveling foot stem
- 3 leveling pad

- 2 hex nut

Installing the Rack Stabilizer Feet



WARNING: Installing systems in a rack without the front and side stabilizer feet installed could cause the rack to tip over, potentially resulting in bodily injury under certain circumstances. Therefore, always install the stabilizer feet before installing components in the rack.

Install the stabilizer feet on the rack as follows:

- 1 Install the front and side stabilizer feet on a standalone rack.
- 2 Install the front stabilizer feet on all racks in a suite and install the stabilizer feet on the sides of the rack at each end of the suite.

Installing the Front Stabilizer Feet

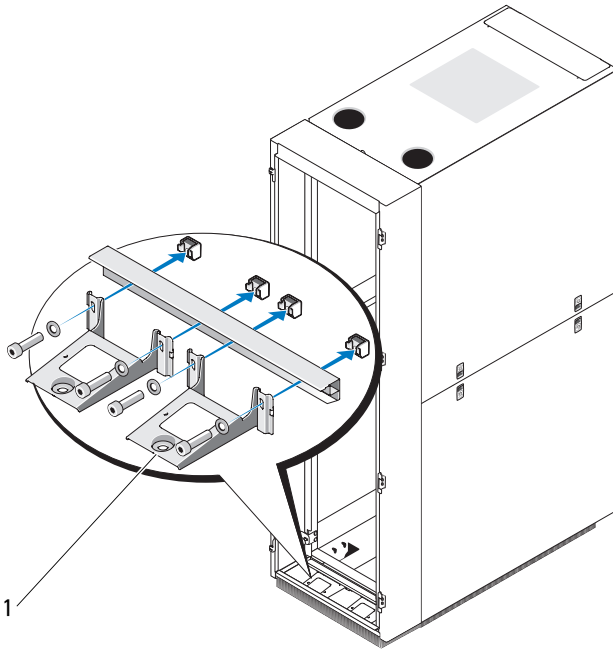
- 1 Open the front door.



NOTE: The stabilizers are located in an accessory box that is shipped with the rack enclosure.

- 2 Position each front stabilizer foot against the base of the rack frame and align its holes with the corresponding holes in the frame.
- 3 Using a 6 mm Allen wrench, secure each foot of the rack using the bolts, washers, and cage nuts. See Figure 17.

Figure 17. Installing the Front Stabilizer Feet



- 1 front stabilizer feet (2)

Installing the Side Stabilizer Feet

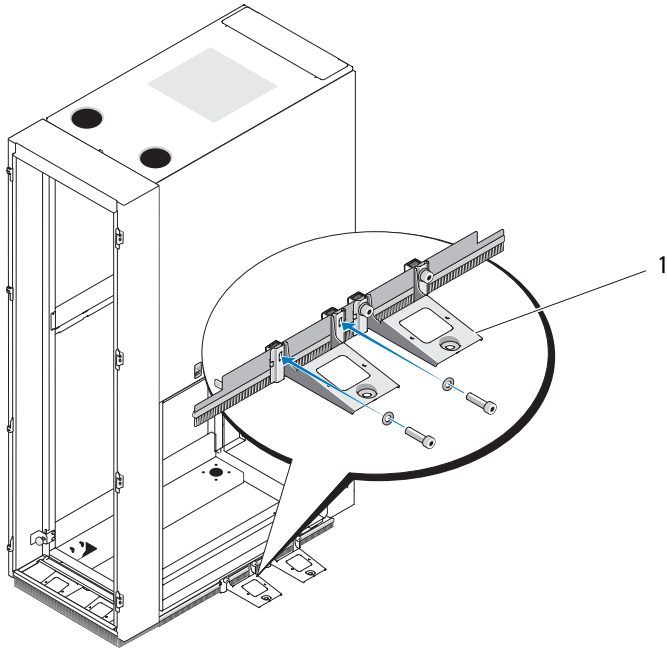


NOTE: Ensure that all brushes are installed to maintain cooling efficiency.

- 1 Remove the lower side panels. See "Removing the Lower Side Panels" on page 14.
- 2 On the side of the rack frame's bottom rail, locate the four bolts that attach the side brushes to the rack. See Figure 18.
- 3 Using a 6 mm Allen wrench, remove the washers and bolts for only one stabilizer.
- 4 Position a stabilizer foot against the brush bracket with the holes aligned, and then install the washers and bolts.
- 5 Repeat step 3 and step 4 to install the second stabilizer foot on the same side.

- 6 Repeat the entire process to install stabilizer feet on the opposite side of the rack enclosure. See Figure 18.
- 7 Replace the lower side panels. See "Replacing the Lower Side Panels" on page 15.

Figure 18. Installing the Side Stabilizer Feet



1 side stabilizer feet (2 per side)

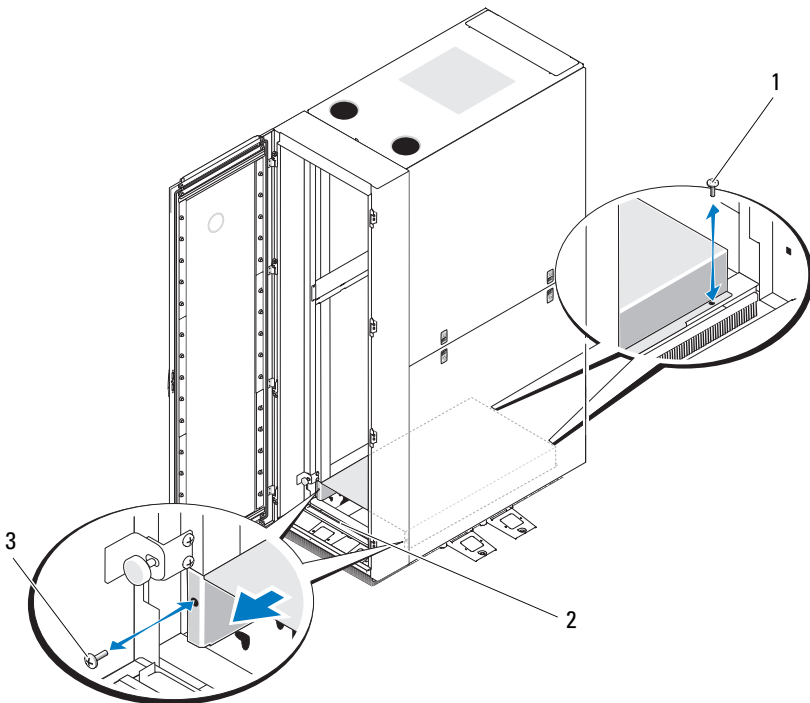
Adjusting the Rear Rack Posts (Optional)

NOTE: Do not move the front rack posts located on the rack enclosure.

The position of the rack posts can be adjusted to accommodate systems of various depths.

- 1 Open the rack doors.
- 2 To remove the air channel from the rack, remove the two screws from the front flange (one per side) and two screws from the back of the rack using a #2 Phillips cross-tip screwdriver. See Figure 19.
- 3 Push the air channel forward or remove it from the rack enclosure to access the bottom screws for the rack post. See Figure 19.

Figure 19. Removing the Air Channel



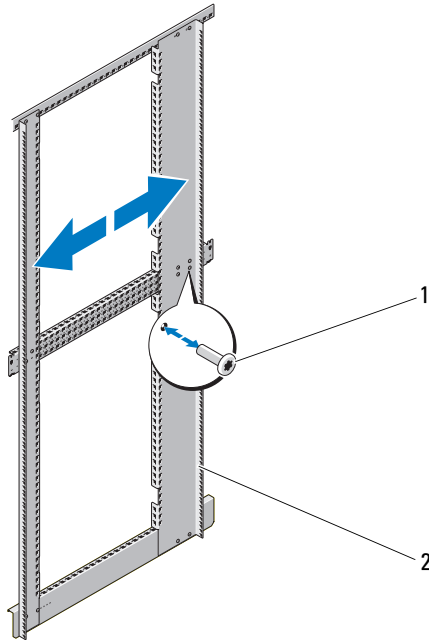
1 back screws (2)

2 air channel

3 front screws (2)

- 4 Remove the screws from the bottom, middle, and top of the post. See Figure 20.
- 5 Move the post to the desired location inside the side of the rack and install the screws in the corresponding holes.

Figure 20. Adjusting the Rear Rack Posts



1 screws

2 back rack post

- 6 Reinstall the air channel by reversing the process used to remove the air channel.



NOTE: The air channel must always remain at the bottom of the rack (in 1U and 2U) and must not be moved to a different location in the rack.



NOTE: Unless you need to couple two or more racks, you may now install systems into the rack. For information on installing components in the rack, see the white numbered labels on the front and back of the rack mounting rails.

Routing Cables

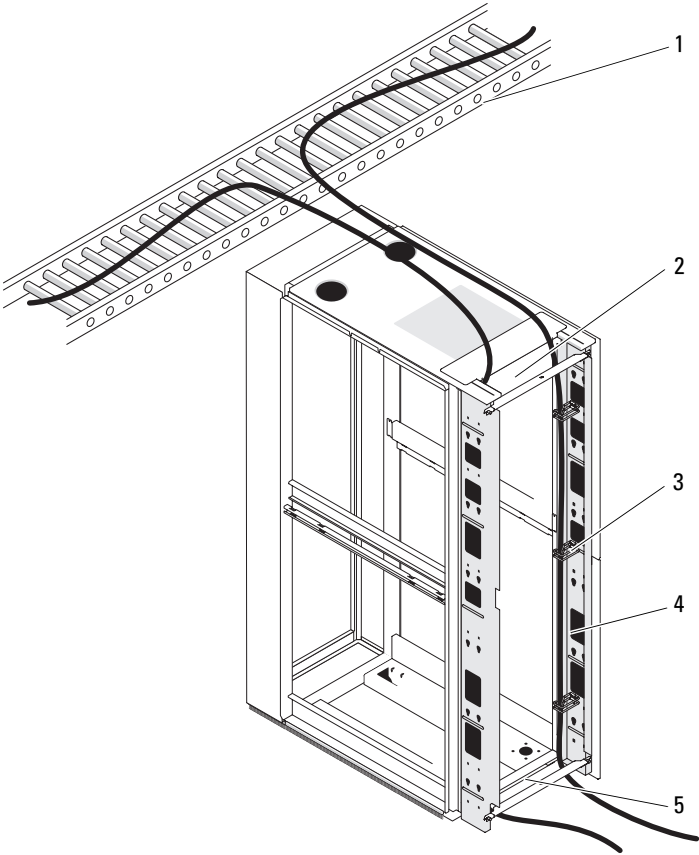
The rack offers several features that simplify cable routing. See Figure 21.

- The power distribution unit (PDU) channels in each rack flange allow you to route power cables to the systems mounted in the rack.
- Cable clips can be mounted in the PDU channels to keep cables out of the way and prevent cables from becoming tangled.

You can route cables out of the rack in two ways on a standard configuration:

- Through the cable exit at the bottom of the back doors. See Figure 21.
- Through the adjustable cable slot at the top of the rack and into a cable raceway. See Figure 21.

Figure 21. Cable Routing Options



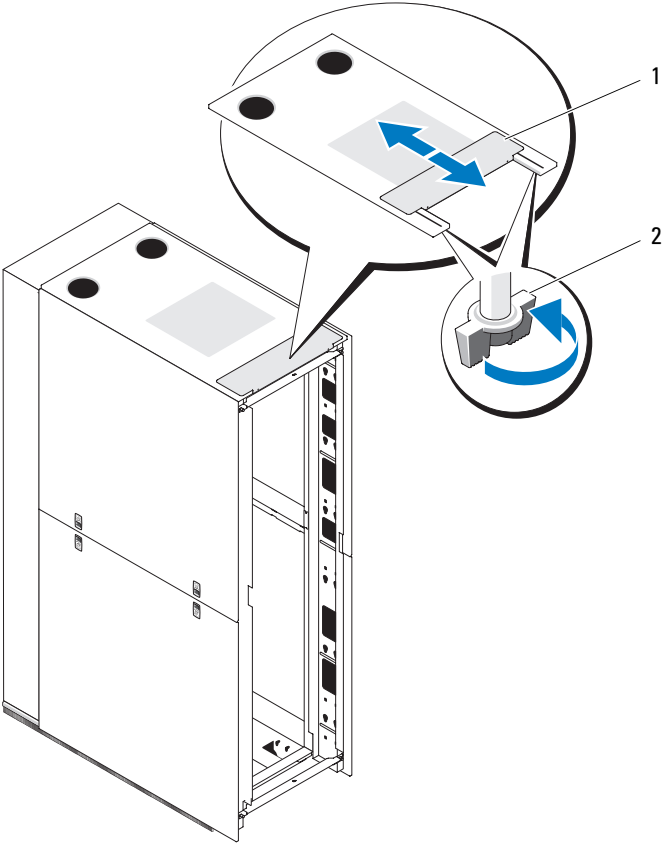
- 1 cable raceway
- 2 top cable slot
- 3 cable clips
- 4 PDU channels (2 per side)
- 5 bottom cable exit

Opening and Closing the Top Cable Slot

The top cable slot in the rack can be used to route cables up to a cable raceway.

- 1** Open the back doors.
- 2** Loosen the wing nuts underneath the cable slot cover. See Figure 22.
- 3** Slide the cable slot cover toward the front of the rack.
- 4** Route the cables through the top of the rack.
- 5** Close any air gap in the cable slot by pulling the slot cover toward the back of the rack.
- 6** Secure the cover using the wing nuts.

Figure 22. Opening and Closing the Top Cable Slot



1 cable slot cover

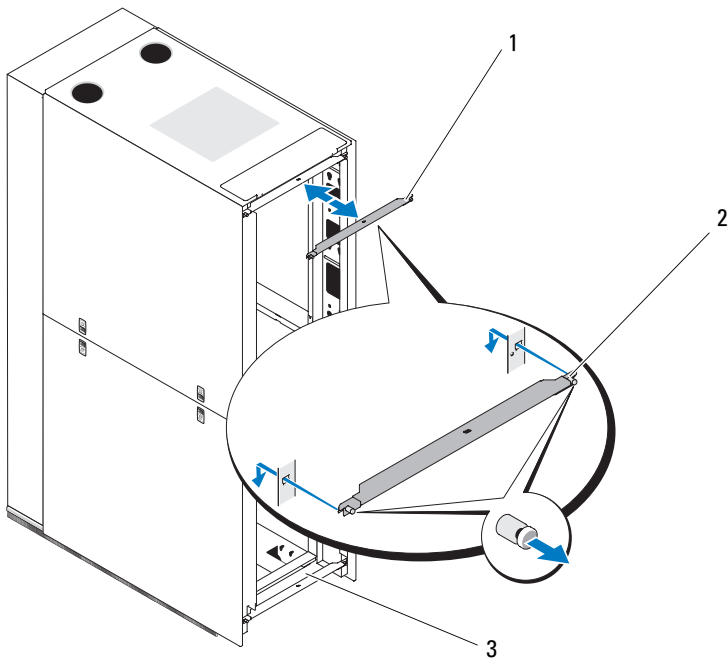
2 wing nuts (2)

Removing and Installing the Back Door Stabilizer Bars

The top and bottom bars used to stabilize the back doors can be removed, making it easier to route cables through the top and bottom of the rack.

- 1 Open the back doors.
- 2 Pull and hold the plungers on each side of the bar, and move the bar up and away from the rack. See Figure 23.
- 3 Route the cables and replace the bars by aligning the tabs on the bars with the corresponding holes in the rack.
- 4 Push the plungers until they lock into place.

Figure 23. Removing and Installing the Back Door Stabilizer Bars



- | | | | |
|---|-----------------------------------|---|----------------------|
| 1 | back door stabilizer bar (top) | 2 | plungers (2 per bar) |
| 3 | back door stabilizer bar (bottom) | | |

Coupling Two Racks

⚠ WARNING: Never attempt to remove or install the rack cabinet doors by yourself. Due to the size and weight of the rack cabinet doors, this procedure requires at least two people.

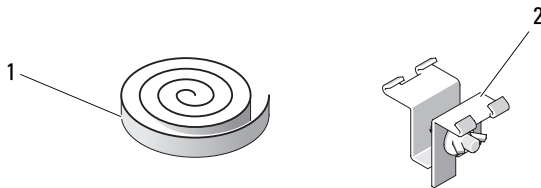
⚠ WARNING: You must install the front stabilizer feet on the front of the racks and the outer sides, after the interconnect kit is in place.

- 1 Unpack and set up both racks.
- 2 Unpack the coupling kit. See Figure 24.

The contents of the rack coupling kit include:

- One gasket strip
- Four coupling brackets

Figure 24. Rack Coupling Kit



1 gasket strip

2 coupling brackets (4)

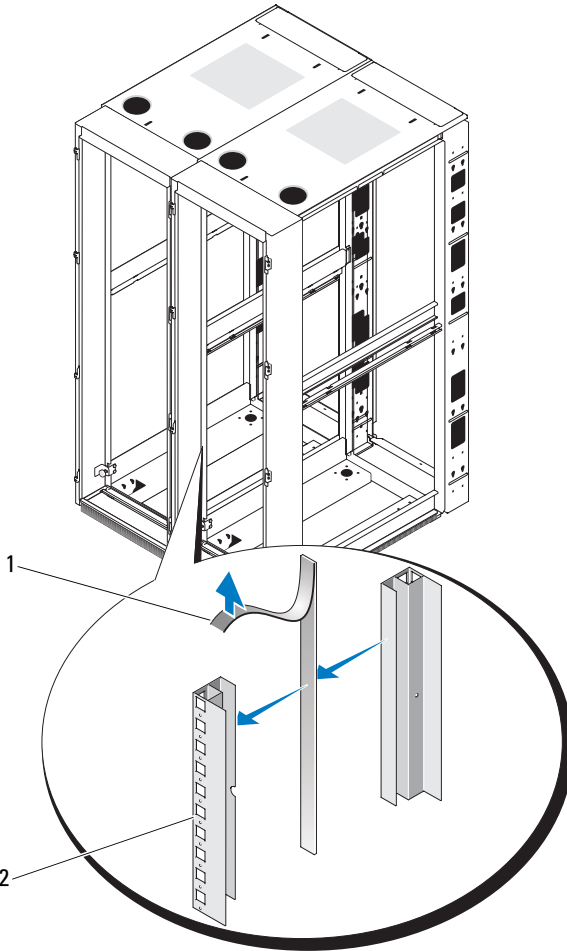
⚠ WARNING: All brushes supplied must be installed and the brush bristles must be in contact with the floor to form a seal around the bottom perimeter of the rack enclosure. Removing the brushes may reduce the cooling efficiency within the enclosure.

- 3 Remove the doors and side panels from both racks. See "Removing the Front Door" on page 10, "Removing the Back Doors" on page 11, and "Removing and Replacing the Side Panels" on page 13.
- 4 Cut and place a segment of the gasket strip, with its protective backing removed, on one of the racks. The gasket strip must be placed along the frame surface to be in contact with the adjacent rack. See Figure 25.

🔪 NOTE: Ensure that the gasket strip is not installed on the extension.

🔪 NOTE: It does not matter on which rack you place the gasket strip segments as long as they protect both racks from being scratched.

Figure 25. Installing the Gasket Strip

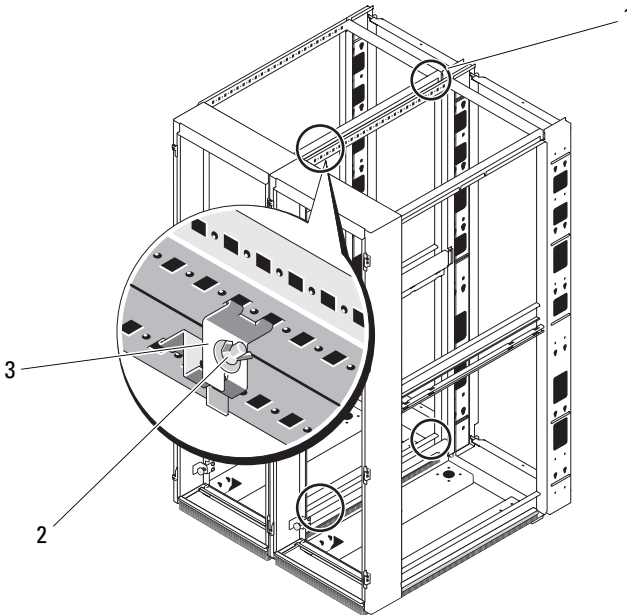


1 gasket strip

2 rack frame

- 5 Install the coupling brackets.
 - a Position the two racks side by side.
 - b Adjust the leveling feet on both racks so that the racks are parallel and in the same horizontal plane. For more information, see "Adjusting the Leveling Feet" on page 30.
 - c Hook the brackets into the square holes inside and adjacent to the rack posts and tighten the brackets using the wing nuts. See Figure 26.
- 6 Install the front stabilizer feet. See "Installing the Front Stabilizer Feet" on page 31.
- 7 Replace the doors and the outer side panels for both racks. See "Removing the Front Door" on page 10, "Removing the Back Doors" on page 11, and "Removing and Replacing the Side Panels" on page 13.

Figure 26. Coupling Two Racks



- | | | | |
|---|----------------------------|---|----------|
| 1 | coupling bracket locations | 2 | wing nut |
| 3 | coupling bracket (4) | | |

Châssis du rack Dell Energy

Smart

Guide d'installation



Remarques, précautions et avertissements



REMARQUE : Une REMARQUE indique des informations importantes qui peuvent vous aider à mieux utiliser votre ordinateur.



PRÉCAUTION : Une PRÉCAUTION indique un risque de dommage matériel ou de perte de données en cas de non-respect des instructions données.



AVERTISSEMENT : Un AVERTISSEMENT indique un risque potentiel d'endommagement du matériel, de blessure corporelle ou de mort.

Les informations contenues dans ce document sont sujettes à modification sans préavis.
© 2011 Dell Inc. tous droits réservés.

La reproduction de ce document de quelque manière que ce soit sans l'autorisation écrite de Dell Inc. est strictement interdite.

Marques mentionnées dans ce document : Dell™, le logo DELL et PowerEdge™ sont des marques de Dell Inc.

D'autres marques et noms commerciaux peuvent être utilisés dans ce document pour faire référence aux entités revendiquant la propriété de ces marques ou de ces noms de produits. Dell Inc. rejette tout intérêt propriétaire dans les marques et les noms commerciaux autres que les siens.

Table des matières

Consignes de sécurité	49
SÉCURITÉ : Montage en rack des systèmes	49
Instructions d'installation en rack	50
Spécifications du rack	50
Avant de commencer	51
Outils et fournitures recommandés	52
Installation des armoires rack	52
Ouverture et fermeture de la porte avant du rack	53
Retrait et réinstallation des portes du rack	54
Retrait et réinstallation des panneaux latéraux	58
Installation des brosses	61
Retrait et remplacement de l'extension du capot de service	63
Retrait et remplacement de l'extension	65
Inversion du sens d'ouverture de la porte avant (facultatif)	66
Fixation des pieds réglables de l'armoire	74
Installation des pieds stabilisateurs	76
Réglage des montants arrière du rack (facultatif)	79
Acheminement des câbles	81
Couplage de deux armoires	86

Consignes de sécurité

Appliquez les consignes de sécurité fournies dans ce guide pour préserver votre sécurité personnelle et protéger votre équipement et votre environnement de travail de tout dommage. Pour plus d'informations sur la sécurité et les réglementations, reportez-vous aux consignes de sécurité fournies avec l'équipement. Les informations sur la garantie se trouvent dans ce document ou dans un document distinct.

SÉCURITÉ : Montage en rack des systèmes

Pour garantir la stabilité et la sécurité de l'armoire rack, prenez les précautions ci-après. Consultez également la documentation accompagnant le système et le rack pour connaître les précautions et les procédures spécifiques.

Les systèmes installés dans un rack sont considérés comme des composants. Le terme *composant* désigne tout système, périphérique ou matériel connexe.

PRÉCAUTION : Instructions relatives aux systèmes montés en rack :

- L'utilisation du kit est approuvée uniquement pour l'armoire rack fournie. Il vous incombe de vérifier que son installation dans une autre armoire rack est conforme à l'ensemble des normes en vigueur. Dell décline toute responsabilité ou garantie en cas d'installation du kit dans une autre armoire rack.
- Le châssis du rack est refroidi par l'air provenant des panneaux de ventilation d'un sol surélevé. Le châssis du rack doit être positionné sur les panneaux de ventilation avant d'installer des composants.
- Avant d'installer votre équipement dans un rack, assurez-vous que le rack est correctement sécurisé en suivant les instructions de la section «Installation des pieds stabilisateurs», à la page 76.
- Chargez toujours les composants les plus lourds en premier et procédez de bas en haut.
- Ne surchargez pas le circuit du bloc d'alimentation en CA qui alimente le rack.
- Évitez de marcher sur les composants du rack.

- La conduite d'air située en bas du rack est utilisée pour diriger l'air froid du sol vers l'avant du châssis du rack. La conduite d'air doit *toujours* rester en bas du rack (pour les façades 1U et 2U) et ne doit pas être déplacée à un autre endroit du rack.
- N'utilisez pas la conduite d'air comme une marche ou une étagère pour supporter des composants.



AVERTISSEMENT : Toutes les brosses fournies doivent être installées et les poils des brosses doivent être en contact avec le sol pour former un joint autour du périmètre inférieur du châssis du rack. Le retrait des brosses peut réduire le refroidissement dans le châssis.



AVERTISSEMENT : L'extension du capot de service doit uniquement être retirée lors de l'installation ou du retrait des composants des espaces supérieurs de l'unité de rack et doit être réinstallée immédiatement. Les composants peuvent surchauffer si l'extension du capot de service n'est pas installée dans l'armoire rack.

Instructions d'installation en rack

Ce guide d'installation fournit les instructions nécessaires pour l'installation d'une armoire rack par un personnel qualifié. Les informations portent sur l'assemblage du rack le couplage de deux racks et le routage des câbles. Le rack peut être installé à l'aide des outils recommandés.






Avant de commencer l'installation, lisez attentivement l'intégralité de la procédure.

Spécifications du rack






REMARQUE : Le rack est conforme aux spécifications des organismes suivants : American National Standards Institute (ANSI), Electronics Components Association (ECA) norme EIA/CEA-310-E, International Electrotechnical Commission (IEC) 60297-3-100 et Deutsche Industrie Norm (DIN) 41494.

Avant de commencer

-  **AVERTISSEMENT** : Avant de procéder à l'installation du rack, lisez attentivement la section «Consignes de sécurité importantes», à la page 51 ainsi que les consignes de sécurité fournies avec le rack.
-  **AVERTISSEMENT** : Si vous installez plusieurs systèmes dans un même rack, effectuez toutes les opérations requises pour le système en cours d'installation avant de commencer l'installation du système suivant.
-  **AVERTISSEMENT** : Les armoires racks peuvent être extrêmement lourdes, mais il est facile de les déplacer sur leurs roulettes. Elles sont dépourvues de freins. Procédez avec une extrême prudence pour déplacer une armoire rack. Rentrez les pieds réglables avant tout déplacement. Évitez de déplacer l'armoire sur des plans inclinés trop longs ou trop abrupts, des rampes ou des surfaces accidentées car vous risquez d'en perdre le contrôle. Une fois l'armoire en place, ressortez les pieds réglables pour l'empêcher de rouler.
-  **AVERTISSEMENT** : Évitez de faire rouler l'armoire rack sur des surfaces inégales. Les impacts brutaux pourraient briser les roulettes et l'armoire risquerait de basculer et de se renverser.
-  **AVERTISSEMENT** : N'essayez pas de déplacer l'armoire si des composants y sont déjà installés. Si vous déplacez un rack entièrement chargé sur une surface légèrement inégale, il risque de basculer et de se renverser.

Consignes de sécurité importantes

Respectez les consignes de sécurité décrites dans les sous-sections suivantes lorsque vous installez votre système dans le rack.

-  **AVERTISSEMENT** : Vous devez respecter à la lettre les procédures décrites dans ce document afin de préserver votre sécurité et celle des autres intervenants. Le système à installer peut être très lourd et volumineux. Une préparation et une planification adéquates sont donc essentielles afin d'éviter tout risque de blessure pour vous-même ou autrui. Ces précautions sont d'autant plus importantes en cas d'installation de composants dans la partie supérieure du rack. Vérifiez également que les panneaux de ventilation et l'infrastructure du sol peuvent supporter le poids de l'armoire rack avec tous les composants installés.
-  **AVERTISSEMENT** : Avant d'installer des systèmes dans un rack, vous devez installer les pieds stabilisateurs avant et latéraux. Dans le cas d'armoires couplées, installez d'abord les pieds stabilisateurs avant. Si les stabilisateurs ne sont pas correctement installés avant la mise en place des systèmes dans une armoire, celle-ci risque de basculer et de causer des dommages corporels.
-  **AVERTISSEMENT** : Après avoir installé des systèmes dans une armoire rack, n'essayez jamais d'en extraire plus d'un à la fois au moyen des assemblages à glissière. L'armoire risquerait de basculer et de vous blesser.

Outils et fournitures recommandés

Pour installer le rack, vous pouvez avoir besoin des outils et fournitures suivants :

- Tournevis cruciforme n°2
- Tournevis à tête plate
- Clé de 12 mm
- Clé de 10 mm (pour inverser le sens d'ouverture de la porte avant)
- Tournevis Torx T20 (pour inverser le sens d'ouverture de la porte avant)
- Tournevis Torx T30 (pour inverser le sens d'ouverture de la porte avant)
- Clés des portes et des panneaux latéraux du rack
- Clé Allen de 6 mm
- Clé à molette (pour retirer le rack de la palette)

Installation des armoires rack

L'installation d'une armoire rack peut impliquer :

- 1** l'ouverture et la fermeture de la porte avant du rack
- 2** le retrait et la réinstallation des portes du rack
- 3** le retrait et la réinstallation des panneaux latéraux
- 4** l'installation des brosses
- 5** le retrait et le remplacement de l'extension du capot de service
- 6** le retrait et le remplacement de l'extension
- 7** l'inversion du sens d'ouverture de la porte avant
- 8** la fixation des pieds réglables du rack
- 9** l'installation des pieds stabilisateurs du rack
- 10** le réglage des montants arrière du rack
- 11** l'acheminement des câbles
- 12** le couplage de deux racks

Ouverture et fermeture de la porte avant du rack


Pour ouvrir la porte avant du rack :

- 1** Appuyez sur le barillet de la poignée où la clé est insérée. Voir figure 1.
- 2** Une fois la poignée libérée, poussez-le vers le haut pour dégager la porte des loquets. Voir figure 1.
- 3** Ouvrez entièrement la porte. Voir figure 1.

Pour fermer la porte :

- 1** Poussez le châssis de la porte contre le châssis de l'extension et assurez-vous que la porte est en contact avec ce dernier.
- 2** Abaissez la poignée pour verrouiller la porte.

Retrait et réinstallation des portes du rack

 **AVERTISSEMENT : N'essayez pas de retirer ou de réinstaller les portes de l'armoire rack seul. En raison de la taille et du poids des portes de l'armoire rack, cette procédure nécessite au moins deux personnes.**

Retrait de la porte avant

- 1 Ouvrez la porte du rack. Voir «Ouverture et fermeture de la porte avant du rack», à la page 53.
- 2 Tout en maintenant la porte, retirez les axes de charnière en commençant par la partie inférieure du rack. Assurez-vous que l'axe de la charnière supérieur soit le dernier à être retiré de la porte.


Pour retirer l'axe de la charnière :

- a Tirez sur l'axe de la charnière de manière à le dégager de son logement. Tirez vers le bas les deux axes de la charnière situés en bas de la porte. Tirez-vers le haut les deux axes de la charnière situés en haut de la porte. Voir figure 1.

Le clip de retenue empêche l'axe de la charnière de sortir complètement de son logement.

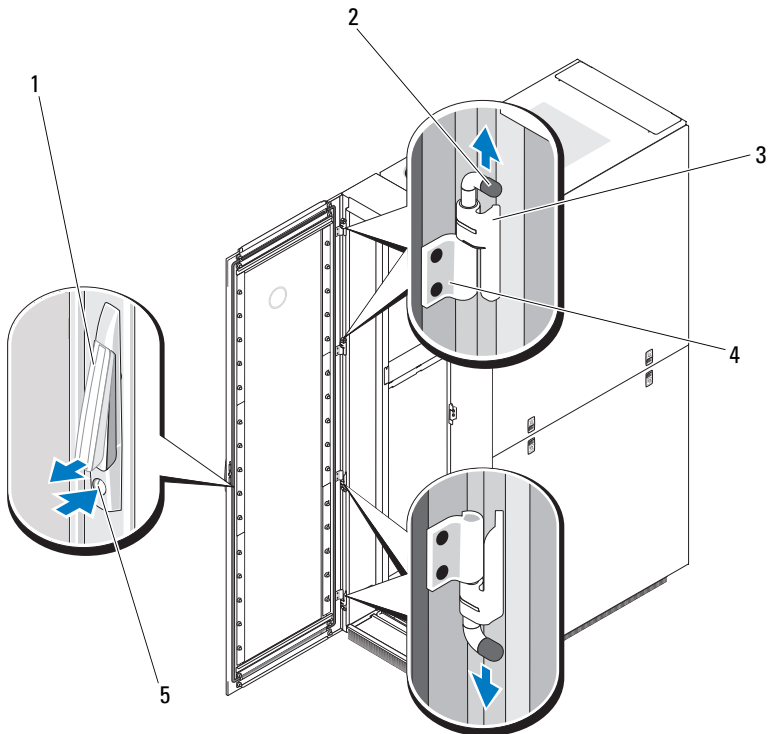
- b Tirez légèrement la porte du rack pour la dégager du corps de la charnière.

 **AVERTISSEMENT : Une fois les portes retirées, posez-les à plat pour éviter qu'elles ne tombent et ne blessent quelqu'un.**

 **AVERTISSEMENT : Compte tenu de la taille et du poids de la porte, il est recommandé de la poser à plat sur le sol, face externe vers le haut.**

- 3 Déposez la porte en lieu sûr, face externe vers le haut pour éviter d'endommager le macaron et le revêtement.

Figure 1. Retrait de la porte avant



1 poignée

3 corps de la charnière

5 barillet

2 axes de la charnière (4)

4 logements des axes de la charnière (4)

Remise en place de la porte avant

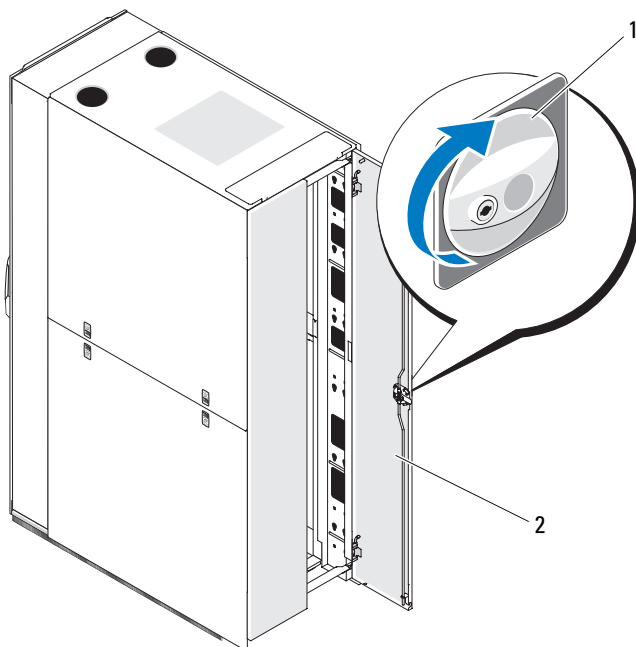
Pour réinstaller la porte avant, suivez les étapes de la procédure de retrait dans l'ordre inverse.

Retrait des portes arrière

⚠ AVERTISSEMENT : N'essayez pas de retirer ou de réinstaller les portes de l'armoire rack seul. En raison de la taille et du poids des portes de l'armoire rack, cette procédure nécessite deux personnes.

- 1 Tournez la poignée d'un quart de tour dans le sens des aiguilles d'une montre pour ouvrir les portes arrière. Voir figure 2.

Figure 2. Ouverture des portes arrière



1 poignée

2 portes arrière (2)

- 2 Retirez la porte arrière droite.

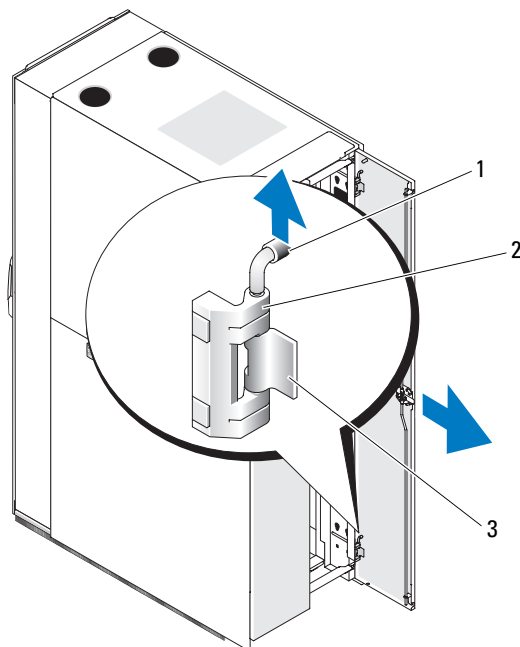
a Tout en maintenant la porte, sortez l'axe de la charnière supérieure hors du logement de la porte. Voir figure 3.

Vous devez normalement entendre un déclic lors de cette opération.

Les axes sont conçus de façon à ne pas sortir complètement du corps de la charnière.

- b Répétez l'étape a pour la charnière du bas.
- c Tirez sur la porte pour l'extraire.

Figure 3. Retrait des portes arrière



- 1 axe de charnière
- 2 corps de la charnière
- 3 logement de l'axe de charnière

⚠ AVERTISSEMENT : Compte tenu de la taille et du poids de la porte, il est recommandé de la poser à plat sur le sol, face externe vers le haut.

- d Déposez la porte en lieu sûr, face externe vers le haut.

✍ REMARQUE : En procédant ainsi, vous éviterez d'endommager le revêtement de la porte.

- 3 Répétez la procédure de l'étape a à l'étape d pour retirer la porte arrière gauche.

Réinstallation des portes arrière

Pour réinstaller les portes arrière, suivez les étapes de la procédure de retrait dans l'ordre inverse.

Retrait et réinstallation des panneaux latéraux



REMARQUE : Retirez les panneaux latéraux pour installer les brosses latérales et les pieds stabilisateurs latéraux.



REMARQUE : Il n'est pas obligatoire de retirer les panneaux latéraux pour installer des systèmes dans un rack, mais cette opération facilite l'installation des glissières et des rails et l'inversion du sens d'ouverture de la porte avant.

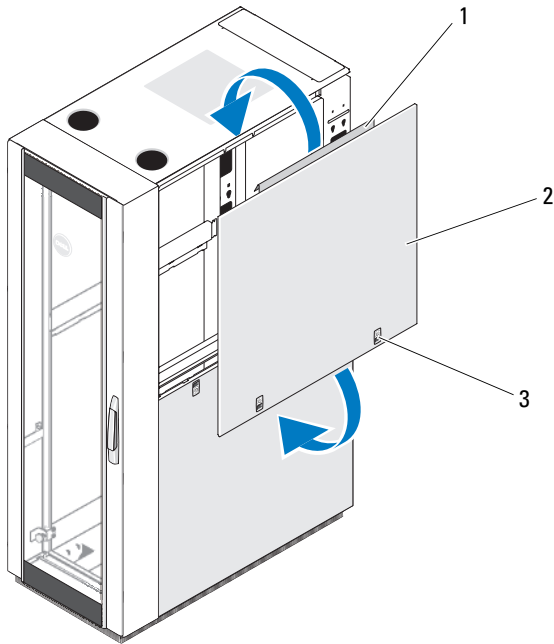
Retrait des panneaux latéraux supérieurs

- 1 Tirez les deux loquets vers le haut et dégagez la partie inférieure du panneau. Voir figure 4.
- 2 Tenez fermement le panneau par ses côtés.
- 3 Soulevez le panneau jusqu'à ce que sa lèvre se dégage de la partie supérieure du rack.
- 4 Déposez le panneau en lieu sûr, face externe vers le haut afin de ne pas endommager le revêtement.
- 5 Répétez la procédure de l'étape 1 à l'étape 4 pour retirer l'autre panneau latéral supérieur.

Réinstallation des panneaux latéraux supérieurs

- 1 Soulevez le panneau latéral supérieur et accrochez sa lèvre sur la partie supérieure du rack. Voir figure 4.
- 2 Faites basculer la partie inférieure du panneau vers le rack.
- 3 Enfoncez le panneau dans le rack jusqu'à ce que les deux loquets s'enclenchent.

Figure 4. Réinstallation des panneaux latéraux supérieurs



- 1 lèvre
- 3 loquets (2)

- 2 panneau latéral supérieur

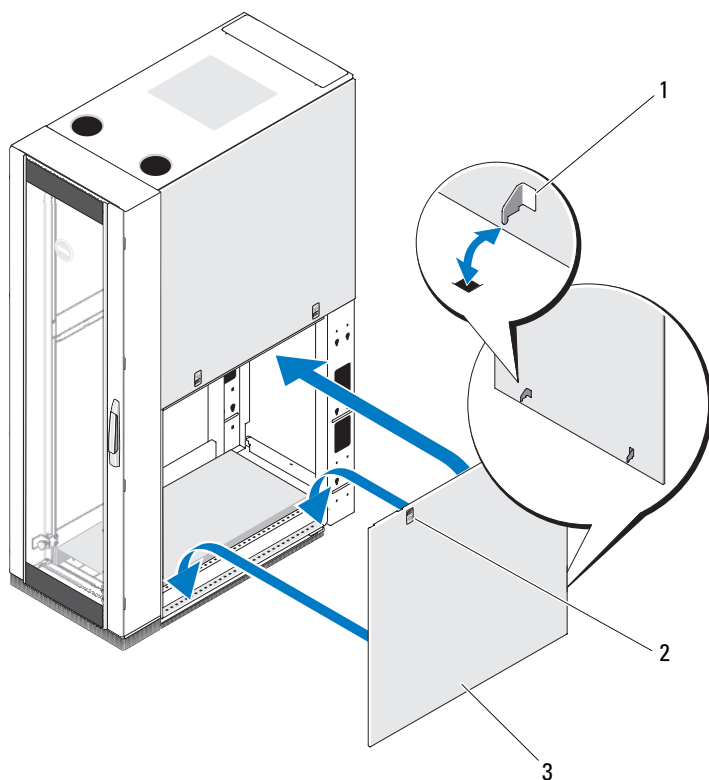
Retrait des panneaux latéraux inférieurs

- 1 Abaissez les deux loquets et faites glisser le panneau vers le haut pour dégager légèrement sa partie supérieure.
- 2 Tenez fermement le panneau par ses côtés.
- 3 Relevez le panneau de façon à dégager les crochets des orifices situés en bas du châssis du rack.
- 4 Déposez le panneau en lieu sûr, face externe vers le haut pour éviter d'endommager le revêtement.
- 5 Répétez la procédure de l'étape 1 à l'étape 4 pour retirer l'autre panneau latéral inférieur.

Réinstallation des panneaux latéraux inférieurs

- 1 Introduisez le panneau dans le rack, en enclenchant le crochet dans l'orifice arrière situé en bas du châssis du rack et le crochet avant dans l'orifice correspondant à l'avant du châssis du rack. Voir figure 5.
- 2 Faites basculer la partie supérieure du panneau vers le rack.
- 3 Enfoncez le panneau dans le rack jusqu'à ce que les deux loquets s'enclenchent.


Figure 5. Réinstallation des panneaux latéraux inférieurs



- 1 crochets du panneau (2)
- 3 panneau latéral inférieur

- 2 loquets (2)

Installation des brosses

 **AVERTISSEMENT : Toutes les brosses fournies doivent être installées et les poils des brosses doivent être en contact avec le sol pour former un joint autour du périmètre inférieur du châssis du rack. Le retrait des brosses peut réduire le refroidissement dans le châssis.**

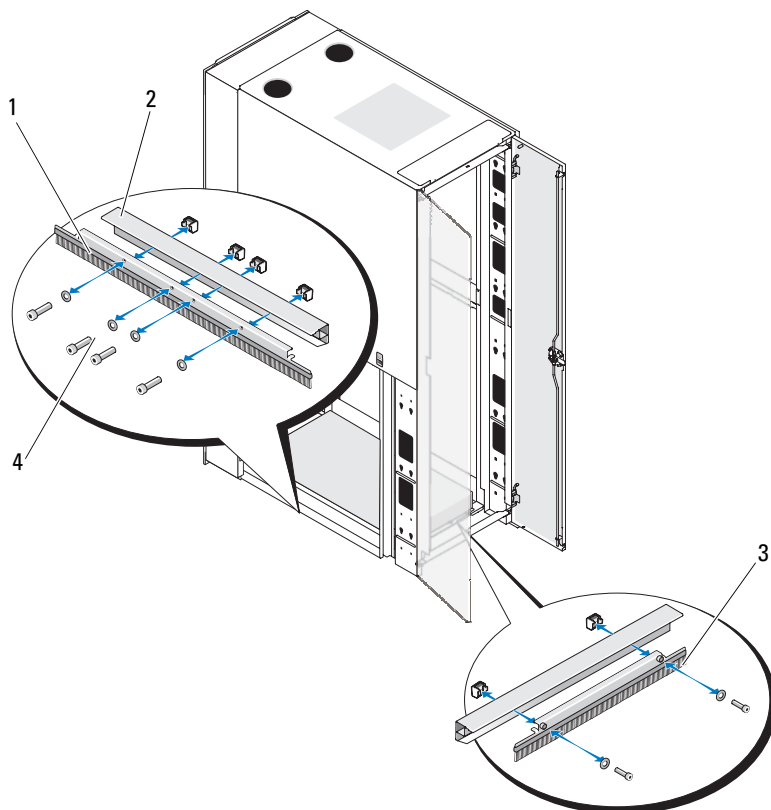
Pour installer les brosses sur le côté du rack :

- 1 Retirez le panneau latéral inférieur. Voir «Retrait des panneaux latéraux inférieurs», à la page 59.
- 2 Alignez le support de la brosse avec le châssis du rack et insérez-le à l'intérieur. Voir figure 6.
- 3 Fixez le support de la brosse à l'aide des quatre boulons et rondelles. Voir figure 6.
- 4 Remplacez le panneau latéral inférieur. Voir «Réinstallation des panneaux latéraux inférieurs», à la page 60.
- 5 Répétez la procédure de l'étape 1 à l'étape 4 pour l'autre côté du rack.

Installation de la brosse à l'arrière du rack :

- 1 Tournez la poignée d'un quart de tour dans le sens des aiguilles d'une montre pour ouvrir les portes arrière. Voir figure 2.
- 2 Alignez le support de la brosse avec le châssis du rack et insérez-le à l'intérieur. Voir figure 6.
- 3 Fixez le support de la brosse à l'aide des deux boulons et rondelles. Voir figure 6.
- 4 Fermez la porte arrière.

Figure 6. Installation et retrait des brosses



1 supports de la brosse latérale (2)

2 châssis du rack

3 support de la brosse arrière

4 boulons et rondelles

Retrait et remplacement de l'extension du capot de service



AVERTISSEMENT : L'extension du capot de service doit uniquement être retirée lors de l'installation ou du retrait des composants des espaces supérieurs de l'unité de rack et doit être réinstallée immédiatement. Les composants peuvent surchauffer si l'extension du capot de service n'est pas installée dans l'armoire rack.



REMARQUE : N'utilisez pas l'extension du capot de service en tant que prise pour acheminer les câbles hors du rack.

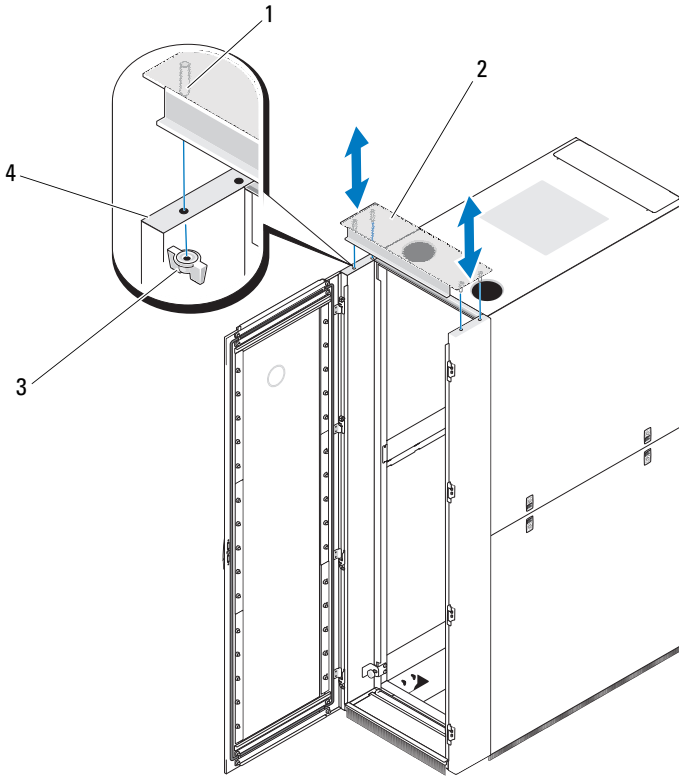


REMARQUE : Le retrait de l'extension du capot de service vous permet d'installer et d'entretenir l'équipement dans les espaces supérieurs de l'unité rack plus facilement.

Retrait de l'extension du capot de service

- 1 Desserrez les quatre écrous à oreilles situés sur la surface supérieure à l'intérieur de l'extension. Voir figure 7.
- 2 Soulevez l'extension du capot de service jusqu'à ce que le goujon libère les trous dans l'extension.
- 3 Retirer l'extension du capot de service

Figure 7. Retrait et remplacement de l'extension du capot de service



1 goujons (4)

2 extension du capot de service

3 écrous à oreille (4)

4 extension

Remplacement de l'extension du capot de service

- 1 Alignez les goujons avec les trous de l'extension et abaissez l'extension du capot de service sur la partie supérieure du rack. Voir figure 7.
- 2 Placez les quatre écrous à oreilles.

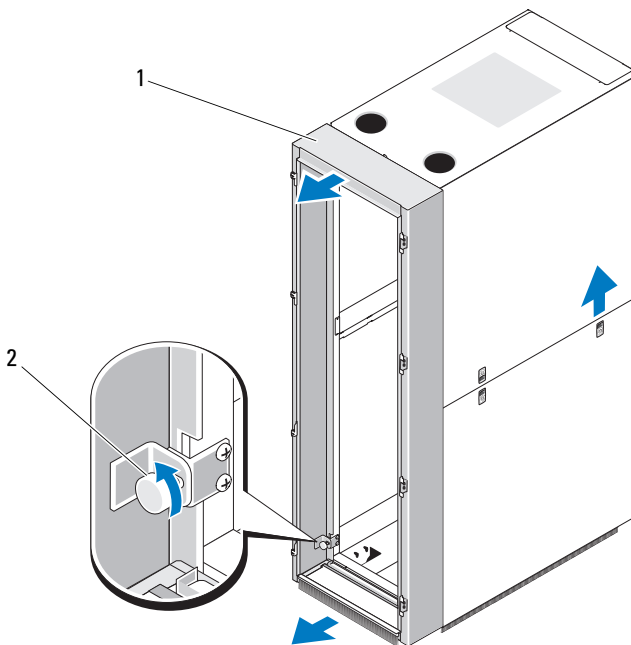
Retrait et remplacement de l'extension

⚠ AVERTISSEMENT : N'essayez jamais de retirer ou d'installer l'extension seul. En raison de la taille et du poids de l'extension, cette procédure nécessite au moins deux personnes.

Retrait de l'extension

- 1 Retirez la porte avant. Voir «Retrait de la porte avant», à la page 54.
- 2 Assurez-vous que l'extension du capot de service est installée. Voir figure 8.
- 3 Retirez les quatre vis à oreilles qui fixent l'extension au rack.
- 4 Soulevez l'extension et retirez-la du rack. Voir figure 8.

Figure 8. Retrait et remplacement de l'extension



1 extension du capot de service

2 vis à oreilles (4)

Remplacement de l'extension

Pour remplacer l'extension, répétez les étapes de la procédure de retrait dans l'ordre inverse.

Inversion du sens d'ouverture de la porte avant (facultatif)

Pour inverser le sens d'ouverture de la porte avant, procédez comme suit :

- 1 Retirez la porte avant. Voir «Retrait de la porte avant», à la page 54.
- 2 À l'aide d'un tournevis Torx T30 et d'une clé de 10 mm, retirez les vis qui fixent les charnières à l'extension. Voir figure 9.

Les deux charnières supérieures sont marquées du numéro 1 et les deux charnières inférieures du numéro 2.



REMARQUE : La position du numéro 1 est à l'envers et celle du numéro 2 à l'endroit.

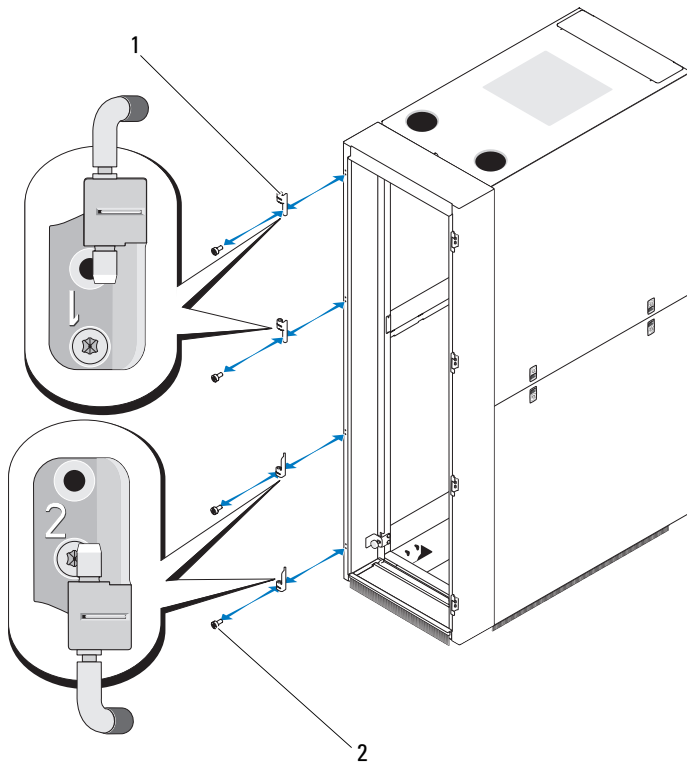


REMARQUE : Lors du retrait des vis, récupérez les écrous desserrés provenant de l'intérieur de l'extension.



REMARQUE : Chaque charnière est fixée à l'extension à l'aide d'une seule vis et toutes les vis sont placées dans le logement de la charnière inférieure.


Figure 9. Retrait des charnières de l'extension



1 charnières (4)

2 vis et écrous (4 de chaque)

3 À l'aide d'un tournevis Torx T30 et d'une clé de 10 mm, retirez les vis qui fixent les loquets à l'extension. Voir figure 10.

 **REMARQUE :** Lors du retrait des vis, récupérez les écrous desserrés provenant de l'intérieur de l'extension.


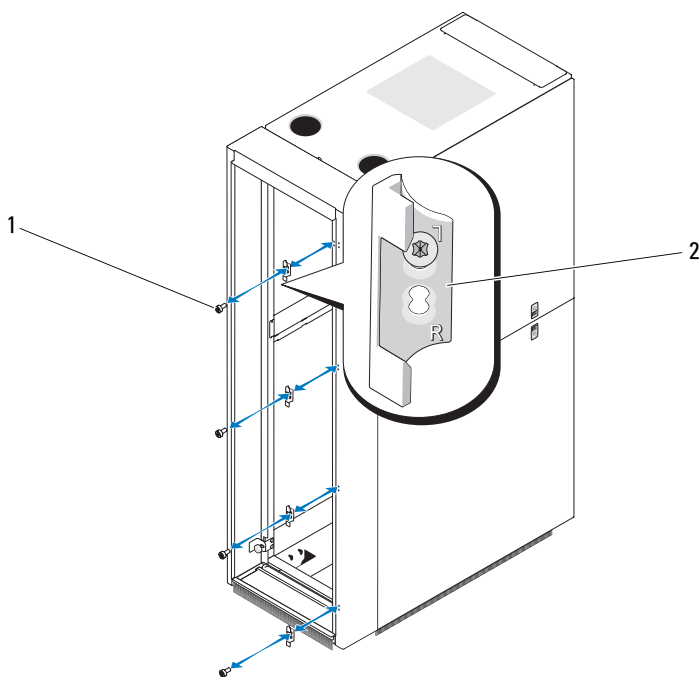
 **REMARQUE :** Sur chaque loquet, le caractère «L» est indiqué d'un côté et «R» de l'autre. Les loquets sont orientés afin que la vis soit installée dans l'orifice le plus haut de chacun. Les vis des loquets sont placées dans l'orifice le plus proche du caractère «L».

Figure 10. Retrait des loquets de l'extension



1 vis et écrous (4 de chaque)

2 loquets (4)

- 4 Retournez les loquets et fixez-les sur le côté opposé de l'extension à l'aide des vis et des boulons. Voir figure 11.


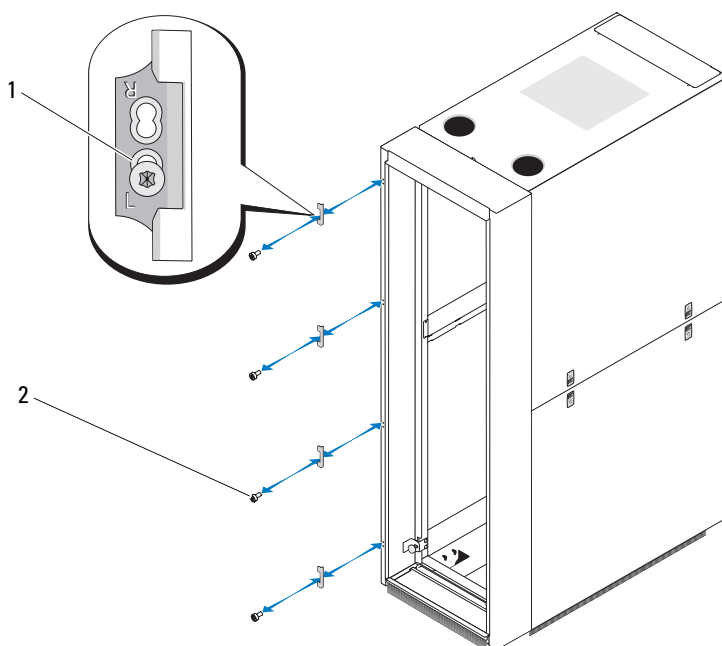
 **REMARQUE :** Vous devez orienter les loquets afin que la vis soit installée dans l'orifice le plus bas de chacun. La vis de chaque loquet est placée dans l'orifice le plus proche du caractère «L».

Figure 11. Installation des loquets sur l'extension




1 loquets (4)

2 vis et écrous (4 de chaque)

- 5 Retournez les charnières et fixez-les sur le côté opposé de l'extension à l'aide des vis et des boulons. Voir figure 12.

Les deux charnières supérieures sont marquées du numéro 1 et les deux charnières inférieures du numéro 2.

 **REMARQUE :** La position du numéro 1 est à l'envers et celle du numéro 2 à l'endroit.


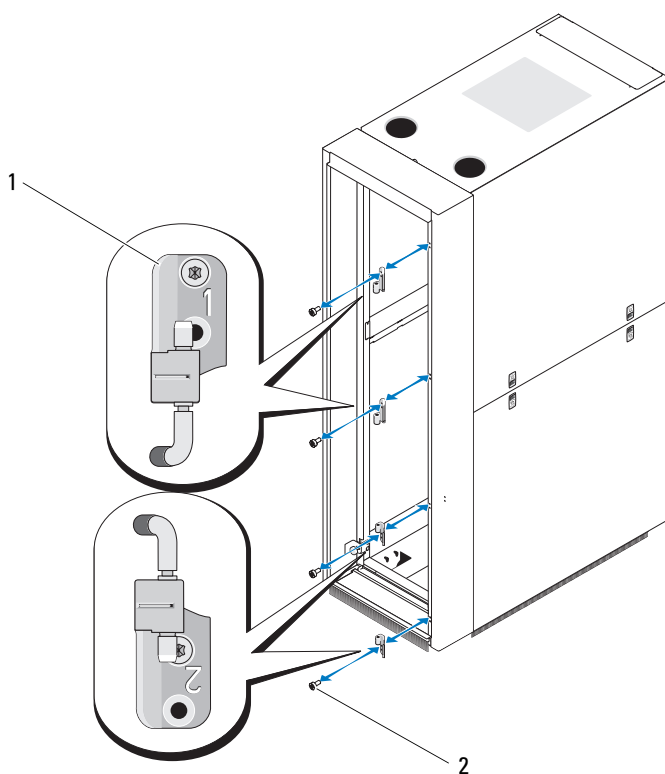
 **REMARQUE :** Chaque charnière est fixée à l'extension à l'aide d'une seule vis et toutes les vis sont placées dans l'orifice de la charnière supérieure.


Figure 12. Installation des charnières sur l'extension




1 charnières (4)

2 vis et écrous (4 de chaque)

- 6 Faites pivoter la fenêtre.
- a Placez la porte sur le sol.
 - b À l'aide d'une clé de 10 mm, retirez tous les écrous qui maintiennent la fenêtre à la porte avant. Voir figure 13.

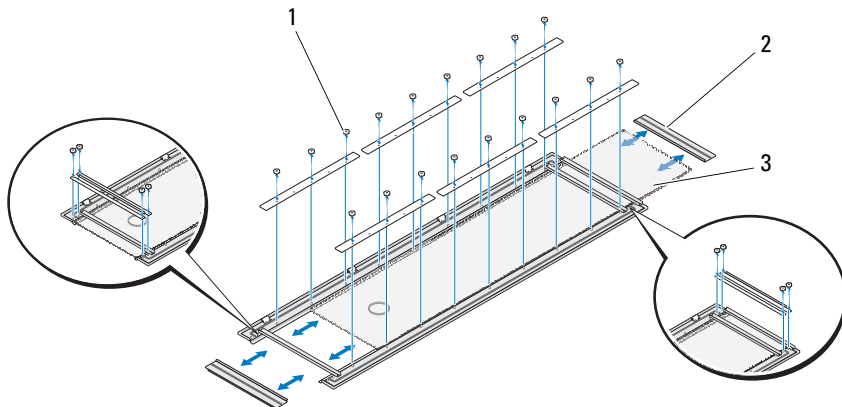
 **REMARQUE** : Il est recommandé de placer la porte sur une surface lisse et propre afin de minimiser le risque de rayures sur la fenêtre et le macaron Dell.

- c Retirez les embouts supérieurs et inférieurs et faites glisser la fenêtre par le haut ou le bas de la porte. Voir figure 13.

 **REMARQUE** : Lors de la réinstallation de la fenêtre, assurez-vous que le macaron Dell se trouve du même côté de la porte que la poignée.

- d Faites pivoter la fenêtre et faites-la glisser à nouveau dans la porte de sorte que le macaron se situe à l'opposée de cette dernière.
- e Installez les embouts supérieurs et inférieurs ainsi que tous les écrous qui maintiennent la fenêtre à la porte avant. Voir figure 13.

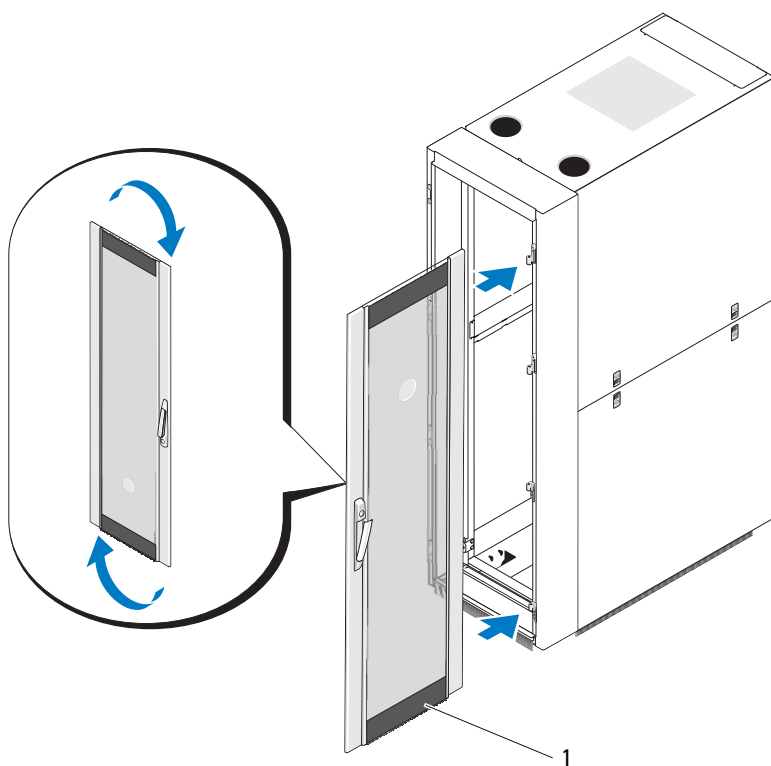
Figure 13. Rotation de la fenêtre de la porte avant



- 1 écrous
- 2 embouts (2)
- 3 fenêtre

- 7 Remplacez la porte avant ainsi que les logements des axes de la charnière situés sur la droite et le loquet sur la gauche de la porte. Voir figure 14.

Figure 14. Installation de la porte avant

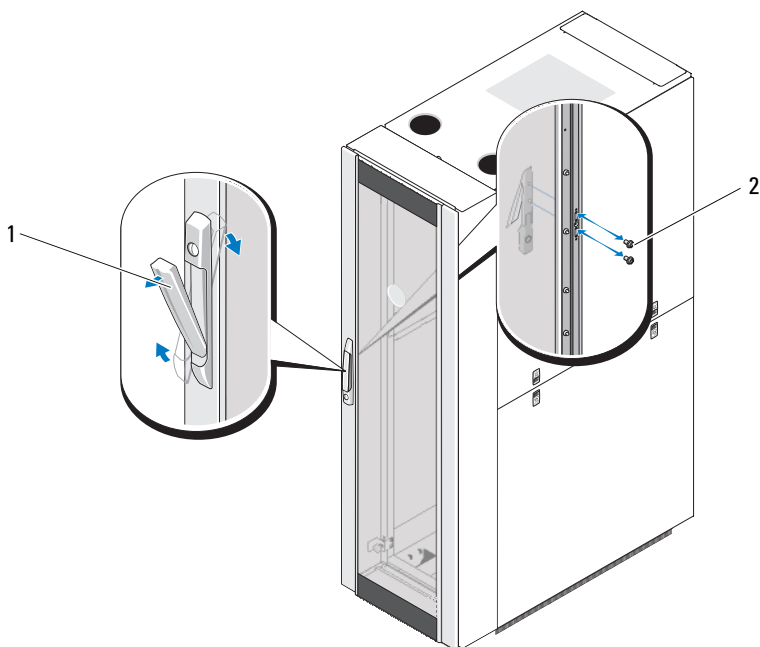


1 porte avant

8 Tournez la poignée.

- a** Ouvrez la poignée et assurez-vous que les deux vis sont accessibles.
- b** Marquez d'un repère la position relative à la garniture intérieure de la porte à l'aide d'un morceau de bande adhésive ou d'un marqueur. Voir figure 15.
- c** À l'aide d'un tournevis Torx T20, retirez les deux vis qui fixent la poignée. Voir figure 15.
- d** Tournez la poignée. Voir figure 15.

Figure 15. Rotation de la poignée de la porte avant



1 poignée

2 vis (2)

- e Alignez les orifices de la poignée et placez les vis, tout en plaçant la poignée en position d'ouverture et en alignant les repères. Voir figure 15.





REMARQUE : Si un morceau de bande adhésive a été utilisé pour faire les repères, retirez-le.


Fixation des pieds réglables de l'armoire


 **AVERTISSEMENT :** Lisez toutes les instructions ci-après avant de régler les pieds de l'armoire.


- Le rack à consommation d'énergie intelligente doit être positionné sur les panneaux perforés.
- Votre rack est équipé de quatre pieds réglables, un près de chaque coin du châssis de l'armoire.
- Ils permettent de maintenir le rack parfaitement droit, même sur une surface légèrement inégale.
- Avant d'installer vos systèmes dans le rack, ajustez les pieds réglables.
- Une fois le rack correctement placé et les brosses entourant la zone perforée, ajustez les pieds réglables.


 **AVERTISSEMENT :** Lorsque vous réglez les pieds, assurez-vous que les roulettes à chaque coin du rack ne sont pas soulevées de plus de 5 mm du sol. Si l'espace entre le sol et les roulettes est supérieur à 5 mm, rentrez *lentement* les pieds, puis déplacez le rack vers un endroit nécessitant un réglage minimal des pieds réglables.

 **AVERTISSEMENT :** Réglez chaque pied jusqu'à ce qu'il repose fermement sur le sol. Ceci permet d'équilibrer le poids du rack sur les quatre pieds et d'éviter toute inclinaison. Si les pieds ne sont pas en contact parfait avec le sol, le rack risque de basculer.

 **AVERTISSEMENT :** N'essayez pas de déplacer le rack lorsque les pieds réglables sont déployés. Rentrez toujours les pieds réglables avant de déplacer le rack. En effet, il risque de se renverser si les pieds sont déployés.

 **AVERTISSEMENT :** Avant d'installer vos systèmes, veuillez toujours mettre le rack de niveau et installer les pieds stabilisateurs. Un rack complètement chargé risque de se renverser s'il repose sur une surface inégale et si son poids n'est pas réparti correctement entre les pieds stabilisateurs et les pieds réglables.

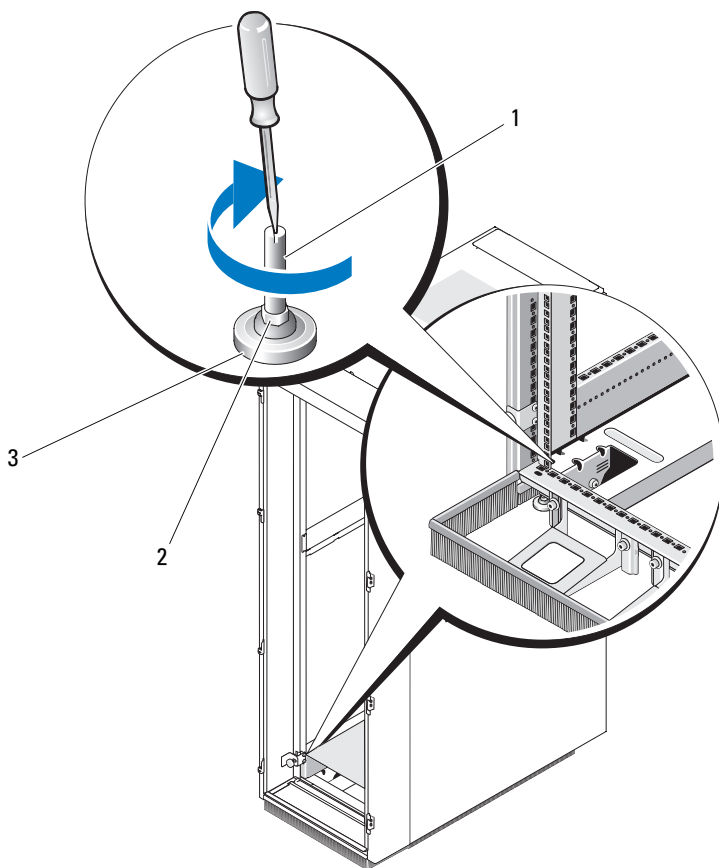
 **REMARQUE :** Si le rack n'est pas de niveau, vous risquez de ne pas pouvoir installer les pieds stabilisateurs, lesquels sont pourtant nécessaires pour éviter tout basculement.

 **REMARQUE :** Assurez-vous que toutes les brosses sont installées pour un refroidissement efficace.

- 1 À l'aide d'un tournevis, abaissez le pied réglable jusqu'à ce qu'il touche le sol.

- 2 Pour abaisser davantage le pied, resserrez l'écrou 6 pans à l'aide d'une clé de 12 mm. Voir figure 16.
- 3 Répétez la procédure de l'étape 1 et l'étape 2 pour les autres pieds réglables.
- 4 Vérifiez que le rack est bien de niveau.

Figure 16. Ajustement des pieds réglables



1 axe du pied réglable
3 patin

2 écrou 6 pans

Installation des pieds stabilisateurs



AVERTISSEMENT : Si vous installez des composants dans un rack sans avoir installé les pieds stabilisateurs avant et latéraux, vous risquez de voir tout l'édifice basculer, causant éventuellement des dommages corporels. C'est pourquoi, il faut toujours monter les pieds stabilisateurs avant d'installer les composants du rack.

Installez les pieds stabilisateurs sur le rack en procédant comme suit :

- 1 Sur un rack autonome, installez les pieds stabilisateurs avant et latéraux.
- 2 Installez les pieds stabilisateurs avant sur chaque rack, et les pieds stabilisateurs latéraux sur le rack situés aux extrémités.

Installation des pieds stabilisateurs avant

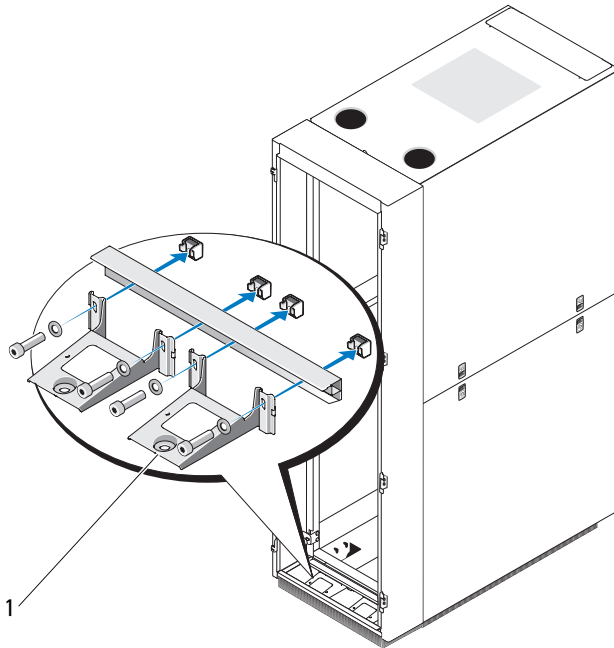
- 1 Ouvrez la porte avant.



REMARQUE : Les pieds stabilisateurs se trouvent dans un carton d'accessoires livré avec le châssis du rack.

- 2 Placez chaque pied stabilisateur avant contre la base du cadre du rack et alignez-en les trous avec ceux du cadre.
- 3 À l'aide d'une clé Allen de 6 mm, fixez chaque pied du rack à l'aide des boulons, rondelles et écrous à cage. Voir figure 17.

Figure 17. Installation des pieds stabilisateurs avant



- 1 pieds stabilisateurs avant (2)

Installation des pieds stabilisateurs latéraux

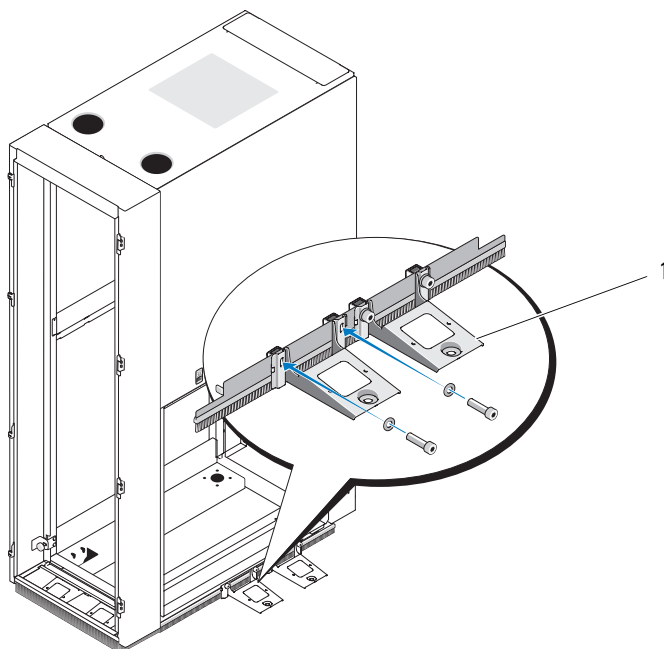


REMARQUE : Assurez-vous que toutes les brosses sont installées pour un refroidissement efficace.

- 1 Retirez les panneaux latéraux inférieurs. Voir «Retrait des panneaux latéraux inférieurs», à la page 59.
- 2 Sur le côté du rail inférieur du cadre du rack, repérez les quatre boulons qui maintiennent les brosses latérales au rack. Voir figure 18.
- 3 À l'aide d'une clé Allen de 6 mm, retirez les rondelles et les boulons d'un seul pied stabilisateur.
- 4 Placez un pied stabilisateur contre le support de la brosse avec les trous alignés, puis installez les rondelles et les boulons.


- 5 Répétez la procédure de l'étape 3 et l'étape 4 pour installer le second pied stabilisateur sur le même côté.
- 6 Recommencez l'ensemble de la procédure pour installer les pieds stabilisateurs de l'autre côté du châssis du rack. Voir figure 18.
- 7 Remplacez les panneaux latéraux inférieurs. Voir «Réinstallation des panneaux latéraux inférieurs», à la page 60.

Figure 18. Installation des stabilisateurs latéraux



- 1 pieds stabilisateurs latéraux
(2 de chaque côté)

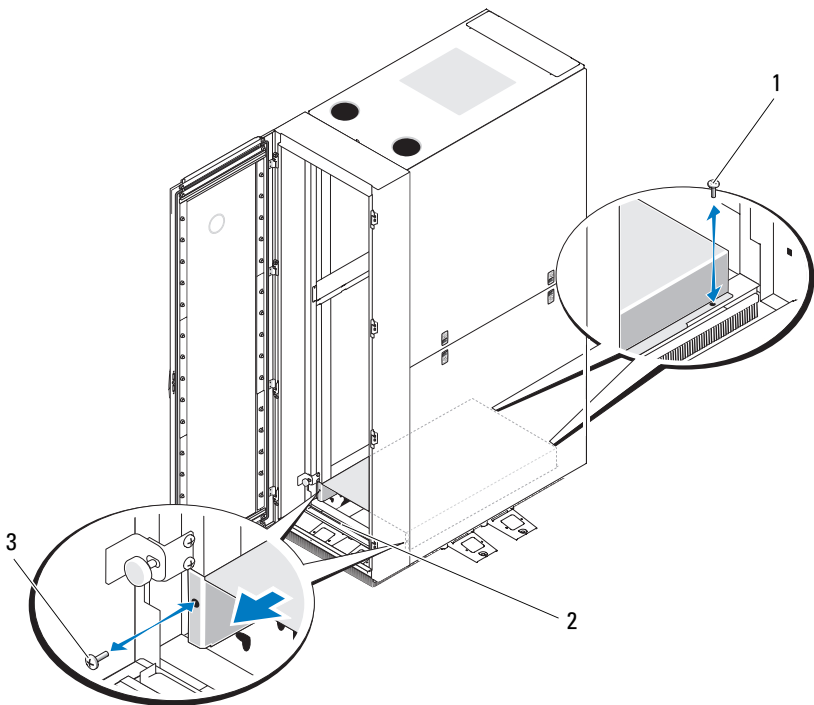
Réglage des montants arrière du rack (facultatif)

 **REMARQUE :** Ne déplacez jamais les montants avant du rack situés sur le châssis.

Vous pouvez régler la position des montants pour accueillir des systèmes de profondeurs diverses.

- 1 Ouvrez les portes du rack.
- 2 Pour retirer la conduite d'air du rack, retirez les deux vis de la collerette avant (une par côté) et les deux vis de l'arrière du rack en utilisant un tournevis cruciforme n°2. Voir figure 19.
- 3 Poussez la conduite d'air vers l'avant ou retirez-la du châssis du rack pour accéder aux vis inférieures du montant. Voir figure 19.

Figure 19. Retrait de la conduite d'air



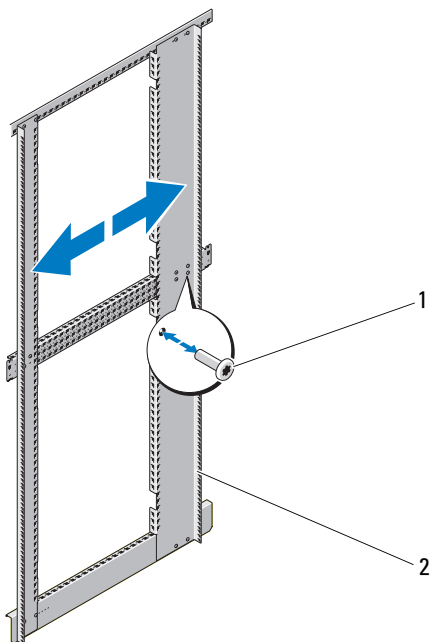
1 vis arrière (2)

2 conduite d'air

3 vis avant (2)

- 4 Retirez les vis des parties supérieure, centrale et inférieure du montant.
Voir figure 20.
- 5 Positionnez le montant à l'emplacement souhaité à l'intérieur du rack
et placez les vis dans les trous correspondants.

Figure 20. Réglage des montants arrière du rack



1 vis

2 montant arrière du châssis

- 6 Réinstallez la conduite d'air en inversant la procédure utilisée pour retirer la conduite d'air.



REMARQUE : La conduite d'air doit toujours rester en bas du rack (pour les façades 1U et 2U) et ne doit pas être déplacée à un autre endroit du rack.



REMARQUE : Si vous n'envisagez pas de joindre plusieurs racks, vous pouvez dès à présent commencer à installer vos systèmes. Pour plus d'informations sur l'installation des composants dans le rack, reportez-vous aux étiquettes blanches numérotées situées à l'avant et à l'arrière des rails de montage.

Acheminement des câbles

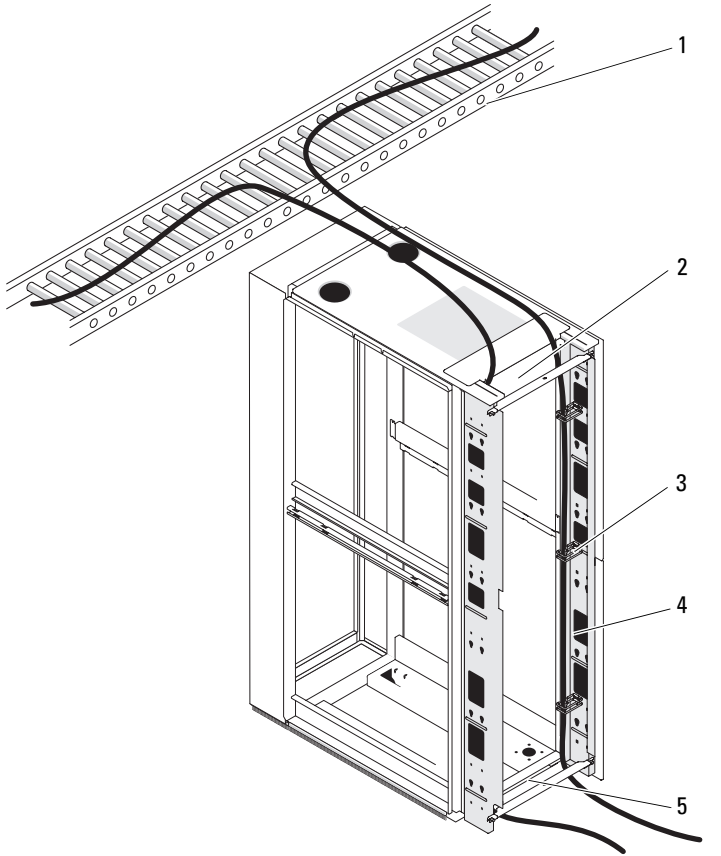
Le rack dispose de plusieurs éléments qui simplifient l'acheminement des câbles. Voir figure 21.

- Les canaux PDU (unité de distribution de l'alimentation) de chaque plateau du rack permettent de passer les câbles d'alimentation des systèmes montés.
- Vous pouvez installer des serre-câbles sur les canaux PDU pour éviter que les câbles n'encombrent le rack ou ne s'emmêlent.

Dans une configuration standard, vous pouvez acheminer les câbles hors du rack de deux façons :

- via la sortie câbles située en bas des portes arrière. Voir figure 21.
- via la sortie réglable située en haut du rack et vers un chemin de câbles. Voir figure 21.

Figure 21. Options d'acheminement des câbles



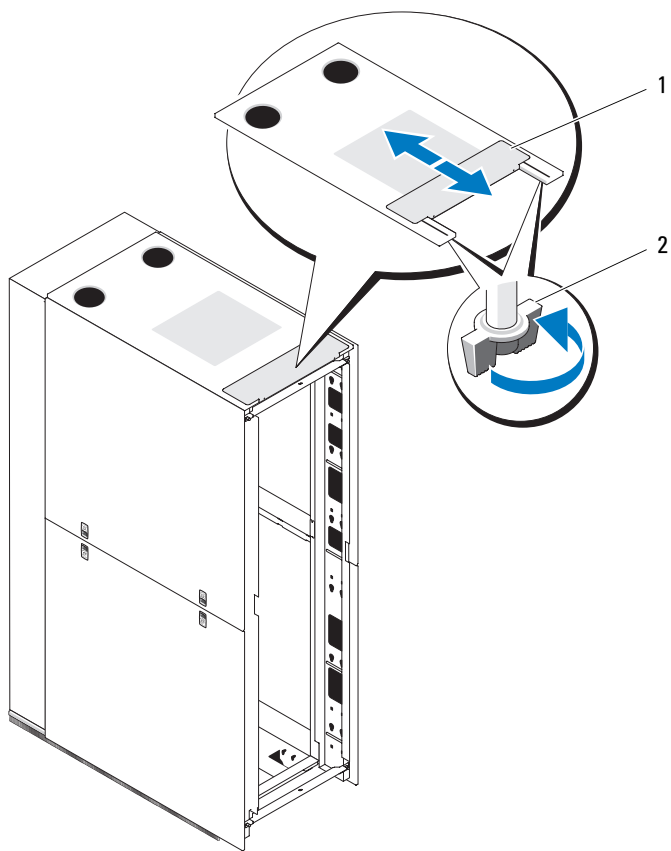
- | | | | |
|---|--------------------------|---|-------------------------------|
| 1 | chemin de câbles | 2 | sortie câbles supérieure |
| 3 | serre-câbles | 4 | canaux PDU (2 de chaque côté) |
| 5 | sortie câbles inférieure | | |

Ouverture et fermeture de la sortie câbles supérieure

Vous pouvez utiliser la sortie câbles supérieure pour acheminer les câbles vers un chemin de câbles.

- 1** Ouvrez les portes arrière.
- 2** Dévissez les écrous à oreilles situés sous le couvercle de la sortie câbles.
Voir figure 22.
- 3** Faites glisser le couvercle de la sortie de câbles vers l'avant du rack.
- 4** Acheminez les câbles vers le haut du rack
- 5** Refermez le couvercle en le faisant glisser vers l'arrière du rack.
- 6** Fixez le couvercle à l'aide des écrous à oreilles.

Figure 22. Ouverture et fermeture de la sortie câbles supérieure



1 couvercle de la sortie câbles

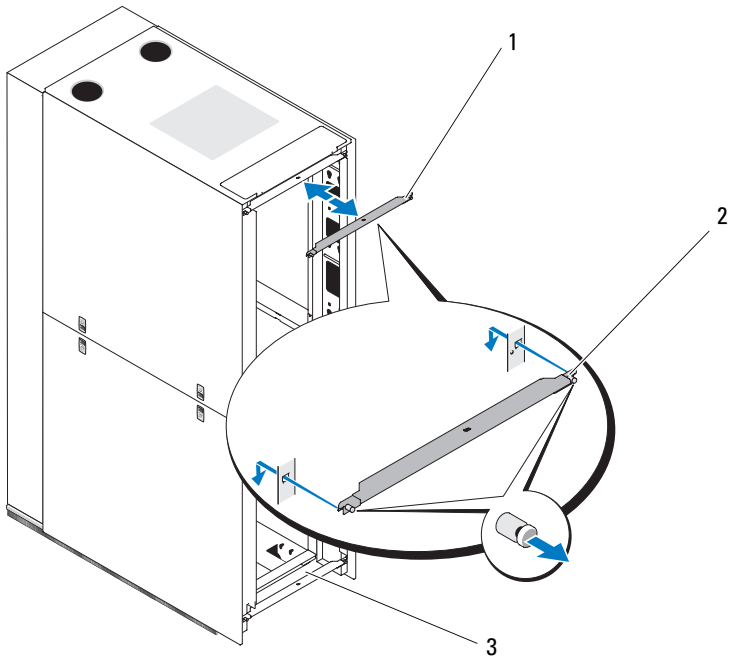
2 écrous à oreille (2)

Retrait et installation des barres de stabilisation des portes arrière

Vous pouvez retirer les barres de stabilisation inférieure et supérieure des portes arrière pour faciliter le passage des câbles.

- 1 Ouvrez les portes arrière.
- 2 Contractez et maintenez les pistons plongeurs de chaque côté de la barre, puis soulevez celle-ci pour la dégager du rack. Voir figure 23.
- 3 Acheminez les câbles et remettez les barres en place en alignant leurs languettes avec les trous correspondant du rack.
- 4 Poussez les pistons plongeurs jusqu'à ce qu'ils s'enclenchent.

Figure 23. Retrait et installation des barres de stabilisation des portes arrière



- 1 barre de stabilisation de la porte (supérieure)
- 3 barre de stabilisation de la porte (inférieure)

2 plots (2 par barre)

Couplage de deux armoires

⚠ AVERTISSEMENT : N'essayez pas de retirer ou de réinstaller les portes du rack seul. En raison de la taille et du poids des portes de l'armoire rack, cette procédure nécessite au moins deux personnes.

⚠ AVERTISSEMENT : Après avoir installé le kit interconnexion, vous devez installer les pieds stabilisateurs avant sur la partie avant des racks et les parties externes.

- 1 Retirez les deux armoires de leur emballage et installez-les.
- 2 Retirez le kit de couplage de son emballage. Voir figure 24.

Contenu du kit :

- un joint de garniture
- quatre supports de couplage

Figure 24. Kit de couplage d'armoires



1 joint de garniture

2 supports de couplage (4)

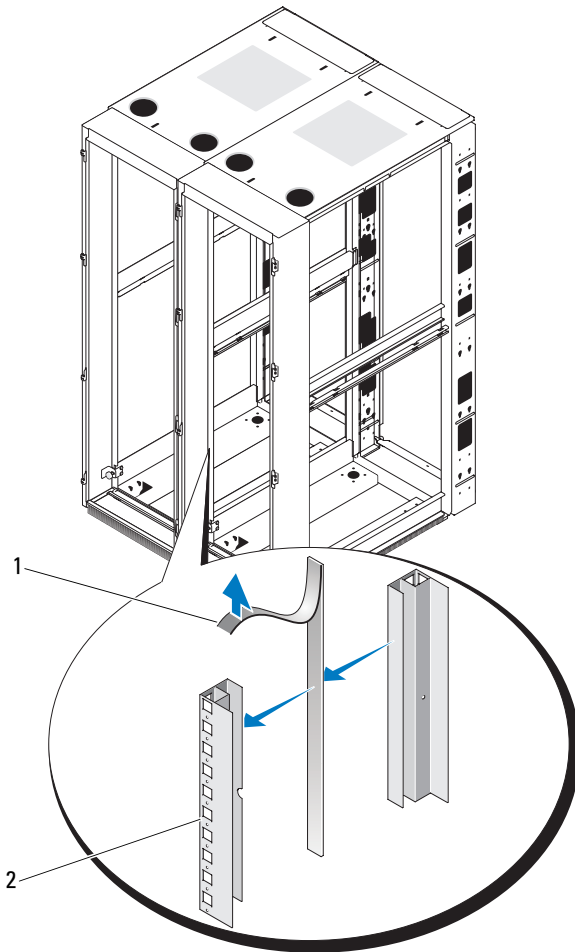
⚠ AVERTISSEMENT : Toutes les brosses fournies doivent être installées et les poils des brosses doivent être en contact avec le sol pour former un joint autour du périmètre inférieur du châssis du rack. Le retrait des brosses peut réduire le refroidissement dans le châssis.

- 3 Retirez les portes et les panneaux latéraux des deux racks. Voir «Retrait de la porte avant», à la page 55, «Retrait des portes arrière», à la page 56 et «Retrait et réinstallation des panneaux latéraux», à la page 58.
- 4 Coupez un morceau de joint de garniture et retirez l'adhésif de protection. Appliquez la bande sur le châssis d'un des racks. Le joint de garniture doit être appliqué le long de la surface du cadre afin d'être en contact avec le rack adjacent. Voir figure 25.

🔪 REMARQUE : Assurez-vous que le joint de garniture n'est pas installé sur l'extension.

🔪 REMARQUE : Peu importe le rack où vous placez les joints. L'important est qu'ils protègent chaque rack des rayures.

Figure 25. Installation du joint de garniture

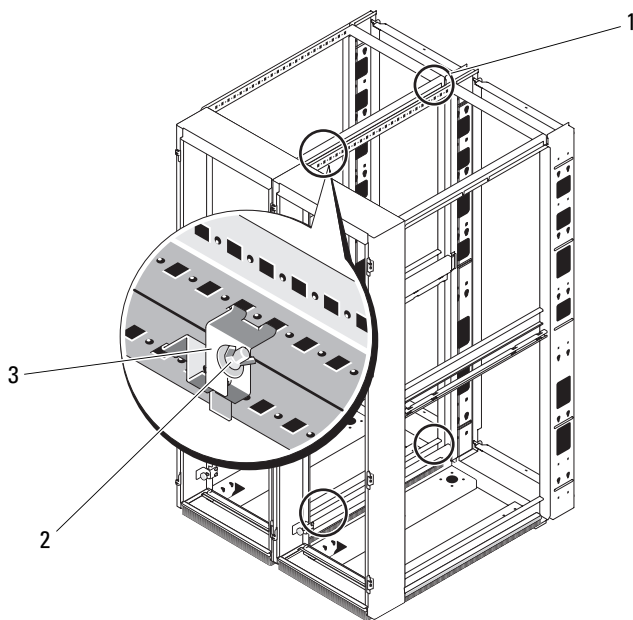


1 joint de garniture

2 châssis de l'armoire

- 5 Fixez les supports de couplage.
 - a Positionnez les deux racks côte à côte.
 - b Ajustez les pieds réglables pour que les racks soient parallèles et sur le même plan horizontal. Pour plus d'informations, voir «Ajustement des pieds réglables», à la page 75.
 - c Accrochez les supports dans les trous carrés situés dans et à côté des montants du rack, puis fixez les supports au moyen des écrous à oreilles. Voir figure 26.
- 6 Installez les pieds stabilisateurs avant. Voir «Installation des pieds stabilisateurs avant», à la page 76.
- 7 Réinstallez les portes et les panneaux latéraux extérieurs des deux racks. Voir «Retrait de la porte avant», à la page 55, «Retrait des portes arrière», à la page 56 et «Retrait et réinstallation des panneaux latéraux», à la page 58.

Figure 26. Couplage de deux armoires



- 1 emplacements des supports de couplage 2 écrou à oreilles
 3 support de couplage (4)

Dell Energy Smart-
Rackgehäuse
Installationsanleitung



Anmerkungen, Vorsichtshinweise und Warnungen



ANMERKUNG: Eine ANMERKUNG macht auf wichtige Informationen aufmerksam, mit denen Sie den Computer besser einsetzen können.



VORSICHTSHINWEIS: Ein VORSICHTSHINWEIS weist auf mögliche Gefahrenquellen hin, die Hardwareschäden oder Datenverlust zur Folge haben können, wenn die Anweisungen nicht befolgt werden.



WARNUNG: Durch eine WARNUNG werden Sie auf Gefahrenquellen hingewiesen, die materielle Schäden, Verletzungen oder sogar den Tod von Personen zur Folge haben können.

Irrtümer und technische Änderungen vorbehalten.

© 2011 Dell Inc. Alle Rechte vorbehalten.

Die Vervielfältigung oder Wiedergabe dieser Materialien in jeglicher Weise ohne vorherige schriftliche Genehmigung von Dell Inc. ist strengstens untersagt.

In diesem Text verwendete Marken: Dell™, das DELL Logo und PowerEdge™ sind Marken von Dell Inc.

Alle anderen in dieser Publikation möglicherweise verwendete Marken und Handelsbezeichnungen beziehen sich entweder auf die entsprechenden Hersteller und Firmen oder auf deren Produkte. Dell Inc. erhebt keinen Anspruch auf Markenzeichen und Handelsbezeichnungen mit Ausnahme der eigenen.

Inhalt

Sicherheitshinweise	93
SICHERHEIT: Einbauen von Systemen im Rack. . .	93
Anleitung für die Rackmontage	94
Rack-Spezifikationen	94
Bevor Sie beginnen.	95
Empfohlene Werkzeuge und Zubehör	96
Installation von Rackschränken	97
Öffnen und Schließen der vorderen Racktür. . . .	97
Entfernen und Installieren der Racktüren	98
Abnehmen und Wiederanbringen der Seitenteile	102
Installation der Bürsten.	105
Entfernen und Wiederanbringen der Wartungsabdeckung für die Erweiterung	107
Entfernen und Wiederanbringen der Erweiterung.	109
Umgekehrtes Einbauen der vorderen Tür (optional).	110
Einstellen der höhenverstellbaren Rackfüße	119
Anbringen der Stabilisatoren.	122
Anpassen der hinteren Rackstützen (optional) . . .	125
Verlegen der Kabel	128
Verbinden von zwei Racks	133

Sicherheitshinweise

Beachten Sie die nachfolgenden Sicherheitshinweise, um Ihre eigene Sicherheit zu gewährleisten und eine mögliche Beschädigung des Systems und der Arbeitsumgebung zu vermeiden. Die vollständigen Informationen zu Sicherheitsanforderungen und Betriebsvorschriften finden Sie in den Sicherheitshinweisen, die Sie mit dem System erhalten haben. Garantieinformationen können in diesem Dokument enthalten oder als separates Dokument beigelegt sein.

SICHERHEIT: Einbauen von Systemen im Rack

Die folgenden Vorsichtsmaßnahmen dienen der Stabilität und Sicherheit des Racks. Spezielle Warnungen und/oder Sicherheitshinweise und Prozeduren finden Sie auch in der zum System gehörenden Dokumentation zur Rack-Installation.

Systeme gelten als Komponenten in einem Rack. Der Begriff „Komponente“ bezieht sich auf alle Systeme sowie auf verschiedene Peripheriegeräte oder unterstützende Hardware.

VORSICHTSHINWEIS: Anleitungen für rackmontierte Systeme:

- Das Rack-Kit ist nur für den gelieferten Rackschrank zugelassen. Es liegt in Ihrer Verantwortung, dafür zu sorgen, dass die Installation des Systems in einem anderen Rack allen zutreffenden Standards entspricht. Dell übernimmt keinerlei Haftung und Gewährleistung bezüglich der Kombination des Systems mit einem anderen Rack.
- Das Rackgehäuse wird durch die Lochplatten eines Doppelbodens mit Luft gekühlt. Das Rackgehäuse sollte über den Lochplatten positioniert werden, bevor Komponenten im Gehäuse installiert werden.
- Bevor Sie das System in dem Rack installieren, vergewissern Sie sich, dass das Rack gemäß den Anweisungen in „Anbringen der Stabilisatoren“ auf Seite 122 ordnungsgemäß gesichert ist.
- Setzen Sie die Komponenten immer von unten nach oben ein und setzen Sie immer zuerst die schwersten Elemente ein.
- Überlasten Sie nicht den Wechselstromkreis für das Rack.
- Stellen Sie sich nicht auf Komponenten im Rack und treten Sie nicht darauf.

- Der Luftkanal an der Unterseite des Racks dient dazu, kühle Luft vom Boden zur Vorderseite des Rackgehäuses zu leiten. Der Luftkanal muss *immer* an der Unterseite des Racks bleiben (in 1U und 2U) und darf nicht an eine andere Stelle im Rack versetzt werden.
- Verwenden Sie den Luftkanal nicht als Trittstufe oder zum Abstützen von Komponenten.



WARNUNG: Alle Bürsten müssen installiert werden und ihre Borsten müssen dabei den Boden berühren, damit entlang des unteren Randes des Rackgehäuses eine Abdichtung geschaffen wird. Das Entfernen der Bürsten kann zu einer reduzierten Kühlleistung innerhalb des Gehäuses führen.



WARNUNG: Die Wartungsabdeckung für die Erweiterung darf nur entfernt werden, wenn Komponenten in den oberen Einschüben der Rackeinheit installiert oder daraus entfernt werden. Danach muss die Abdeckung umgehend wieder angebracht werden. Wenn die Wartungsabdeckung für die Erweiterung nicht im Rackgehäuse installiert ist, kann es zu einer Überhitzung von Komponenten im Rack kommen.

Anleitung für die Rackmontage

Diese Installationsanleitung enthält Anweisungen für geschulte Servicetechniker zur Installation eines Rackgehäuses. Sie erfahren unter anderem, wie Sie das Rack montieren, zwei Racks verbinden sowie Kabel durch das Rack verlegen. Das Rack kann mit den empfohlenen Werkzeugen installiert werden.






Bevor Sie mit der Installation beginnen, lesen Sie diese Anleitung sorgfältig durch.

Rack-Spezifikationen




ANMERKUNG: Das Rack erfüllt die folgenden Spezifikationen: American National Standards Institute (ANSI), Consumer Electronics Association (CEA) Standard EIA/CEA-310-E, International Electrotechnical Commission (IEC) 60297-3-100 und Deutsche Industrie Norm (DIN) 41494.


Bevor Sie beginnen


-  **WARNUNG:** Lesen Sie aufmerksam den Abschnitt „Wichtige Sicherheitshinweise“ auf Seite 96 sowie die Sicherheitsanweisungen, die Sie mit dem Rack erhalten haben.
-  **WARNUNG:** Wenn Sie mehrere Systeme in einem Rack installieren, schließen Sie alle Maßnahmen für ein System ab, bevor Sie das nächste System installieren.
-  **WARNUNG:** Rackschränke können sehr schwer sein und leicht wegrollen. Die Schränke haben keine Bremsen. Bewegen Sie den Rackschrank nur mit größter Vorsicht. Fahren Sie die höhenverstellbaren Füße ein, bevor Sie ein Rack bewegen. Vermeiden Sie lange bzw. steile Neigungen, unebene Oberflächen oder Rampen, auf denen Sie die Kontrolle über das Rack verlieren könnten. Fahren Sie die höhenverstellbaren Füße aus, damit das Rack abgestützt wird und nicht wegrollen kann.
-  **WARNUNG:** Rollen Sie das Rack nicht über unebene oder raue Oberflächen. Harte Stöße auf die Rollen können dazu führen, dass sie brechen, sodass das Rack instabil wird und womöglich umkippt.
-  **WARNUNG:** Versuchen Sie nicht, das Rack zu bewegen, wenn Komponenten darin installiert sind. Wenn Sie ein voll bestücktes Rack auf einem leicht unebenen Untergrund verschieben, könnte das Rack aus dem Gleichgewicht geraten und womöglich umkippen.

Wichtige Sicherheitshinweise

Beachten Sie beim Einbau des Systems im Rack die Sicherheitsmaßnahmen in den folgenden Unterabschnitten.

 **WARNUNG:** Befolgen Sie die in diesem Dokument angegebenen Vorgehensweisen genau, um sich selbst und andere Personen nicht zu gefährden. Das System ist möglicherweise sehr groß und schwer. Sie sollten die Installation sorgfältig vorbereiten und planen, um Verletzungen vorzubeugen. Dies gilt besonders, wenn Systeme weiter oben im Rack installiert werden. Vergewissern Sie sich außerdem, dass die Entlüftungsfliessen und der Unterbau des Bodens so bemessen sind, dass das Gewicht des Rackgehäuses mit sämtlichen installierten Komponenten getragen werden kann.

 **WARNUNG:** Bevor Sie Systeme in einem Rack einbauen, installieren Sie bei frei stehenden Racks die vorderen und seitlichen Stabilisierungsstandfüße und bei Racks, die mit anderen Racks verbunden sind, die vorderen Stabilisierungsstandfüße. Wenn vor dem Einsetzen von Systemen in einem Rack keine Stabilisatoren angebracht werden, kann das Rack unter Umständen kippen und Verletzungen verursachen.

 **WARNUNG:** Wenn Sie Systeme in einem Rack installiert haben, ziehen Sie niemals mehr als ein System gleichzeitig auf den Laufschiene aus dem Rack. Durch das Gewicht von mehr als einem herausgezogenen System kann das Rack umkippen und Verletzungen verursachen.

Empfohlene Werkzeuge und Zubehör

Für die Installation des Racks benötigen Sie eventuell folgende Werkzeuge und Zubehörteile:

- Phillips-Kreuzschlitzschraubendreher PH 2
- Schlitzschraubendreher
- 12-mm-Schraubenschlüssel
- 10-mm-Schraubenschlüssel (zum umgekehrten Einbauen der vorderen Tür)
- Torx-Schraubendreher T-20 (zum umgekehrten Einbauen der vorderen Tür)
- Torx-Schraubendreher T-30 (zum umgekehrten Einbauen der vorderen Tür)
- Schlüssel für die Racktüren und Seitenteile
- 6-mm-Imbusschlüssel
- Verstellbarer Schraubenschlüssel (zum Entfernen des Racks vom Lager)

Installation von Rackschränken

Die Installation eines Rackschranks kann folgende Schritte umfassen:

- 1** Öffnen und Schließen der vorderen Racktür
- 2** Entfernen und Wiederanbringen der Racktüren
- 3** Entfernen und Wiederanbringen der Seitenteile
- 4** Installieren der Bürsten
- 5** Entfernen und Wiederanbringen der Wartungsabdeckung für die Erweiterung
- 6** Entfernen und Wiederanbringen der Erweiterung
- 7** Umgekehrtes Einbauen der vorderen Tür
- 8** Einstellen der höhenverstellbaren Rackfüße
- 9** Anbringen der Stabilisatoren
- 10** Anpassen der hinteren Rackstützen
- 11** Verlegen der Kabel
- 12** Verbinden von zwei Racks

Öffnen und Schließen der vorderen Racktür

So öffnen Sie die vordere Racktür:

- 1** Drücken Sie auf den Schließzylinder des Griffs, in den der Schlüssel gesteckt wird. Siehe Abbildung 1.
- 2** Nachdem der Griff freigegeben ist, ziehen Sie ihn nach oben, um die Tür aus den Verriegelungen zu lösen. Siehe Abbildung 1.
- 3** Öffnen Sie die vordere Tür vollständig. Siehe Abbildung 1.

So schließen Sie die Tür:

- 1** Drücken Sie den Türrahmen gleichmäßig gegen den Erweiterungsrahmen und stellen Sie sicher, dass die Tür Kontakt mit dem Erweiterungsrahmen hat.
- 2** Drücken Sie den Griff nach unten, um die Tür zu verriegeln.

Entfernen und Installieren der Racktüren



WARNUNG: Versuchen Sie niemals, die Türen des Rackschranks alleine zu entfernen oder zu installieren. Aufgrund der Größe und des Gewichts der Türen sind für diesen Arbeitsschritt mindestens zwei Personen erforderlich.

Abnehmen der vorderen Tür

- 1 Öffnen Sie die Racktür. Siehe „Öffnen und Schließen der vorderen Racktür“ auf Seite 97.
- 2 Halten Sie die Tür fest und entfernen Sie die Scharnierstifte, indem Sie unten am Rack beginnen. Stellen Sie sicher, dass zuletzt der obere Scharnierstift aus der Tür entfernt wird.

So entfernen Sie einen Scharnierstift:

- a Ziehen Sie den Scharnierstift aus dem Scharnierstiftgehäuse an der Tür heraus. Die beiden Scharnierstifte unten an der Tür müssen nach unten gezogen werden. Die beiden Scharnierstifte oben an der Tür müssen nach oben gezogen werden. Siehe Abbildung 1.

Der Halteclip des Scharnierstifts verhindert, dass das Scharnier vollständig aus dem Scharniergehäuse gezogen werden kann.

- b Ziehen Sie die Tür etwas von dem Rack weg, damit die Tür aus dem Scharniergehäuse gleitet.



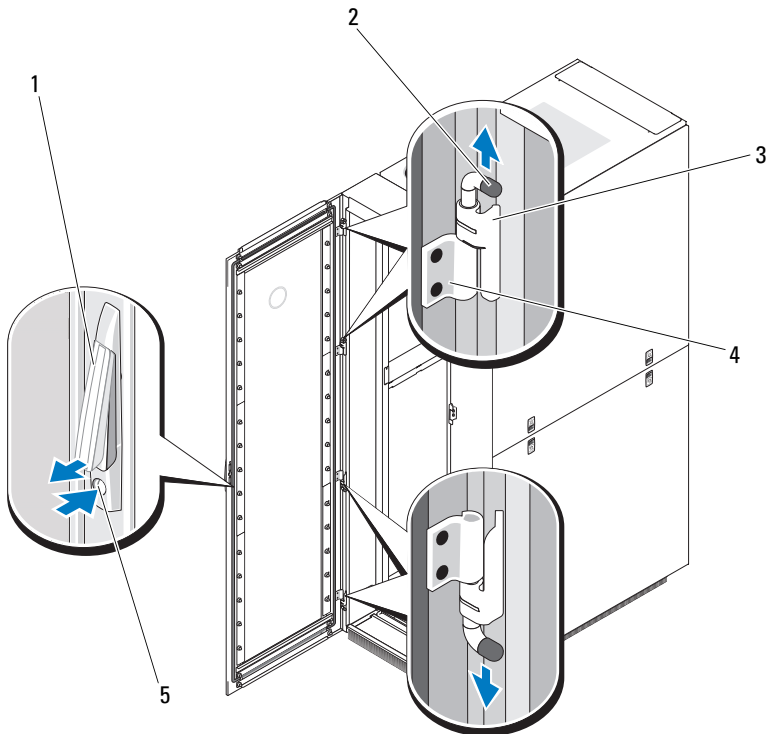
WARNUNG: Legen Sie die Türen flach auf den Boden, damit sie nicht umfallen und Verletzungen verursachen können.



WARNUNG: Wegen der Größe und des Gewichts der Tür wird empfohlen, diese nach dem Abnehmen mit der Außenfläche nach oben flach hinzulegen.

- 3 Legen Sie die Tür an einem sicheren Ort mit der Außenfläche nach oben ab, um Schäden an der Plakette und an der Beschichtung der Tür zu vermeiden.

Abbildung 1. Vordere Tür abnehmen



- | | |
|--------------------|-----------------------------|
| 1 Griff | 2 Scharnierstifte (4) |
| 3 Scharniergehäuse | 4 Scharnierstiftgehäuse (4) |
| 5 Schließzylinder | |

Wiederanbringen der vorderen Tür

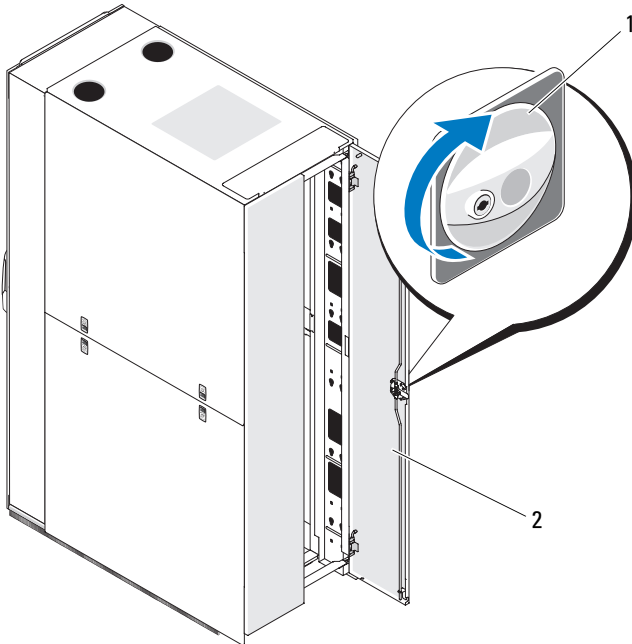
Um die vordere Tür wieder anzubringen, befolgen Sie die Anweisungen zum Abnehmen der vorderen Tür in umgekehrter Reihenfolge.

Abnehmen der hinteren Türen

⚠️ WARNUNG: Versuchen Sie niemals, die Türen des Rackschranks alleine zu entfernen oder zu installieren. Aufgrund der Größe und des Gewichts der Türen sind für diesen Arbeitsschritt mindestens zwei Personen erforderlich.

- 1 Drehen Sie den Türgriff um eine Vierteldrehung im Uhrzeigersinn, um die hinteren Türen zu öffnen. Siehe Abbildung 2.

Abbildung 2. Hintere Türen öffnen



1 Türgriff

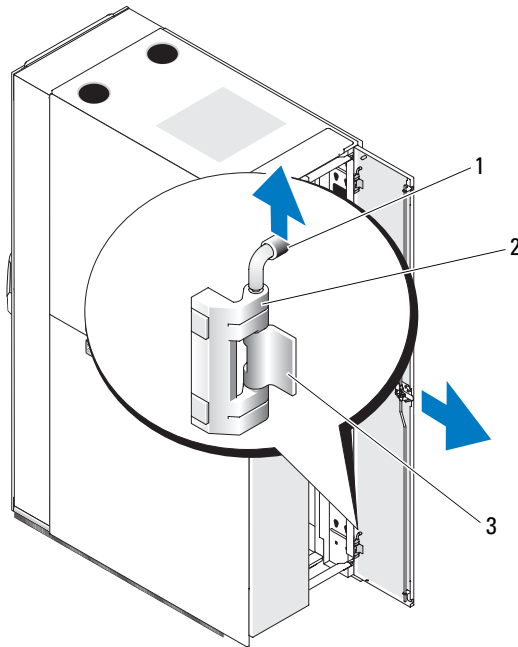
2 Hintere Türen (2)

- 2 Nehmen Sie die rechte hintere Tür ab.
 - a Halten Sie die Tür fest und ziehen Sie den Stift des oberen Scharniers aus dem Scharnierstiftgehäuse der Tür. Siehe Abbildung 3.

Wenn Sie den Stift aus dem Scharnierstiftgehäuse der Tür ziehen, ist ein Klicken zu hören. Die Scharnierstifte sind so konstruiert, dass sie nicht aus dem Scharniergehäuse gezogen werden können.

- b Wiederholen Sie Schritt a für das untere Scharnier.
- c Ziehen Sie die Tür von dem Rack weg.

Abbildung 3. Hintere Türen abnehmen



- 1 Scharnierstift
- 2 Scharniergehäuse
- 3 Scharnierstiftgehäuse



WARNUNG: Wegen der Größe und des Gewichts der Tür wird empfohlen, diese nach dem Abnehmen mit der Außenfläche nach oben flach hinzulegen.

- d Bewahren Sie die Tür mit der Außenfläche nach oben an einem sicheren Platz auf.



ANMERKUNG: Legen Sie die Tür flach und mit der Außenfläche nach oben ab, um Schäden an ihrer Beschichtung zu vermeiden.

- 3 Wiederholen Sie Schritt a bis Schritt d für die linke hintere Tür.

Wiederanbringen der hinteren Türen

Um die hinteren Türen wieder anzubringen, befolgen Sie die Anweisungen zum Abnehmen der hinteren Türen in umgekehrter Reihenfolge.

Abnehmen und Wiederanbringen der Seitenteile



ANMERKUNG: Nehmen Sie die unteren Seitenteile ab, um die seitlichen Bürsten und die seitlichen Stabilisatoren installieren zu können.



ANMERKUNG: Für die Installation von Systemen in einem Rack ist es nicht absolut erforderlich, die Seitenteile abzunehmen. Allerdings lassen sich Gleit- und Stützschiene leichter einbauen, wenn die Seitenteile abgenommen wurden, und Sie können die vordere Tür so einbauen, dass sie sich in die entgegengesetzte Richtung öffnet.

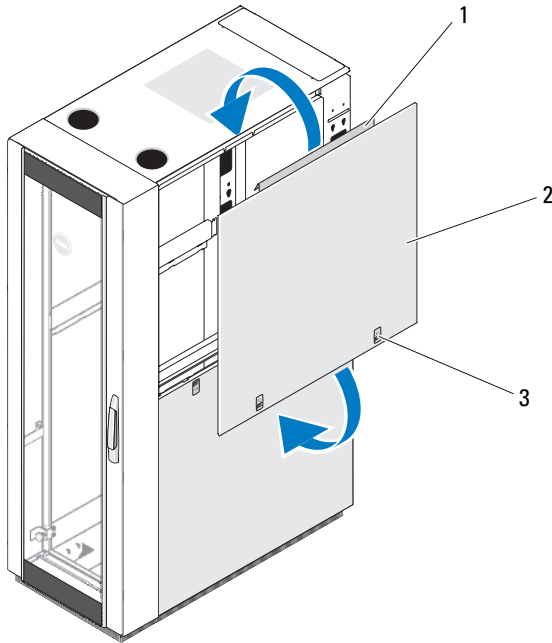
Annehmen der oberen Seitenteile

- 1 Drücken Sie beide Verriegelungen nach oben und klappen Sie die untere Kante des Seitenteils weg vom Rack. Siehe Abbildung 4.
- 2 Halten Sie das Seitenteil an beiden Seiten gut fest.
- 3 Heben Sie das Seitenteil nach oben, bis seine Lasche von der Oberseite des Racks gelöst ist.
- 4 Legen Sie das Seitenteil mit der Außenfläche nach oben an einem sicheren Ort ab, um Beschädigungen an seiner Beschichtung zu vermeiden.
- 5 Wiederholen Sie Schritt 1 bis Schritt 4 für das andere obere Seitenteil.

Wiederanbringen der oberen Seitenteile

- 1 Heben Sie das obere Seitenteil auf das Rack. Haken Sie dabei die Lasche des Seitenteils über die Oberseite des Racks. Siehe Abbildung 4.
- 2 Klappen Sie die untere Kante des Seitenteils zum Rack hin.
- 3 Drücken Sie das Seitenteil in das Rack, bis beide Sperrklinken einrasten.

Abbildung 4. Obere Seitenteile wiederanbringen



- 1 Seitenteillasche
- 3 Sperrklinken (2)

- 2 Oberes Seitenteil

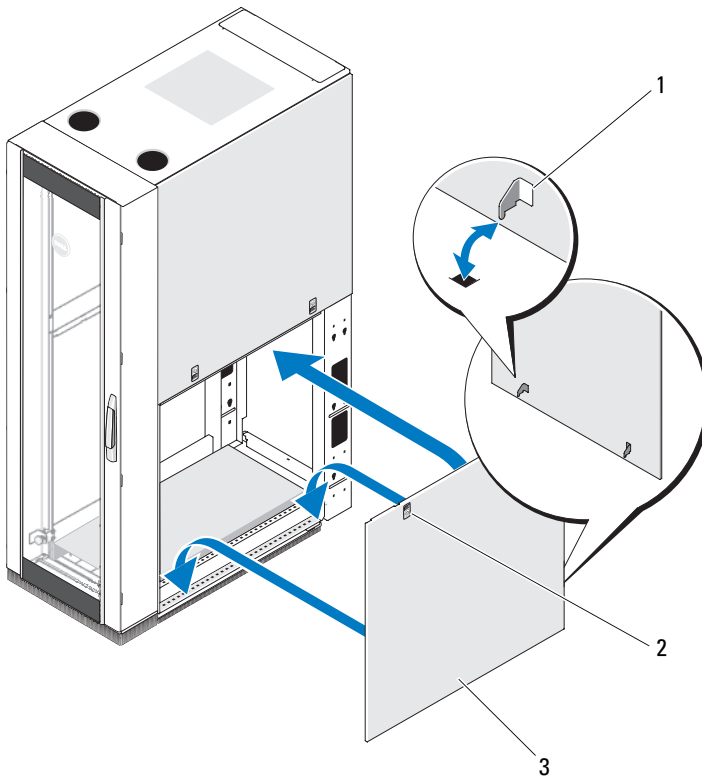
Abnehmen der unteren Seitenteile

- 1 Ziehen Sie beide Sperrklinken nach unten und lassen Sie das Seitenteil oben etwas nach außen klappen.
- 2 Fassen Sie beide Kanten des Seitenteils fest an.
- 3 Heben Sie das Seitenteil nach oben, bis die Haken des Seitenteils nicht mehr in den Öffnungen unten am Rackrahmen sitzen.
- 4 Legen Sie das Seitenteil mit der Außenfläche nach oben an einem sicheren Ort ab, um Beschädigungen an seiner Beschichtung zu vermeiden.
- 5 Wiederholen Sie Schritt 1 bis Schritt 4 für das andere untere Seitenteil.

Wiederbringen der unteren Seitenteile

- 1 Setzen Sie das Seitenteil in das Rack. Achten Sie darauf, dass der hintere Haken am Seitenteil in die hintere Öffnung unten am Rackrahmen und der vordere Haken am Seitenteil in die entsprechende Öffnung auf der Vorderseite des Rackrahmens eingesetzt wird. Siehe Abbildung 5.
- 2 Klappen Sie das obere Ende des Seitenteils zum Rack hin.
- 3 Drücken Sie das Seitenteil in das Rack, bis beide Sperrklinken einrasten.

Abbildung 5. Untere Seitenteile wiederbringen



- 1 Haken am Seitenteil (2)
- 3 Unteres Seitenteil

- 2 Sperrklinken (2)

Installation der Bürsten



WARNUNG: Alle Bürsten müssen installiert werden und ihre Borsten müssen dabei den Boden berühren, damit entlang des unteren Randes des Rackgehäuses eine Abdichtung geschaffen wird. Das Entfernen der Bürsten kann zu einer reduzierten Kühlleistung innerhalb des Gehäuses führen.

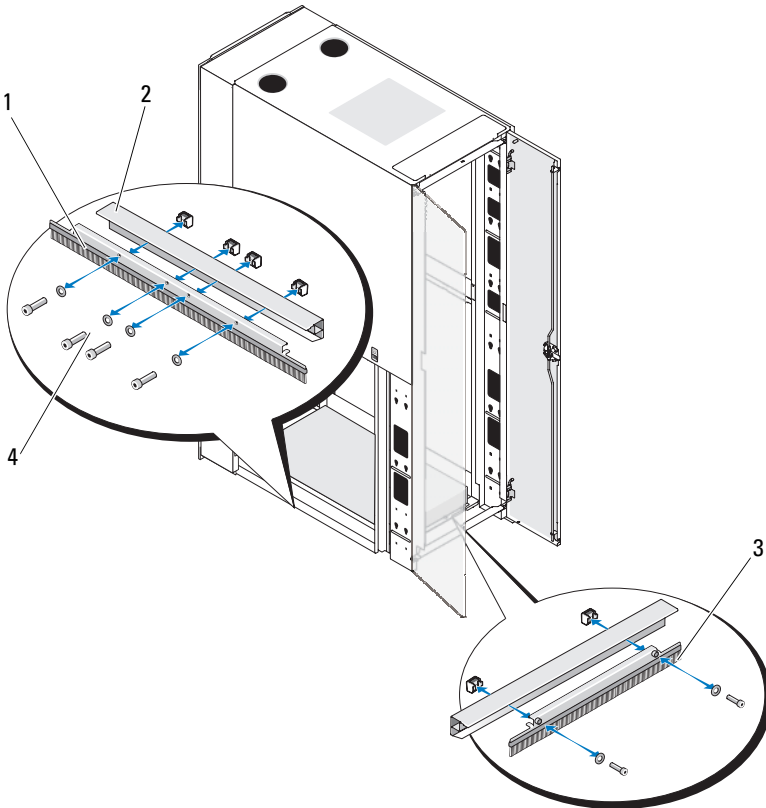
So installieren Sie die Bürsten an der Seite des Racks:

- 1 Nehmen Sie das untere Seitenteil ab. Siehe „Abnehmen der unteren Seitenteile“ auf Seite 103.
- 2 Richten Sie die Bürstenhalterung am Rackrahmen aus und setzen Sie die Bürstenhalterung in den Rackrahmen ein. Siehe Abbildung 6.
- 3 Sichern Sie die Bürstenhalterung mit den vier Schrauben und Unterlegscheiben. Siehe Abbildung 6.
- 4 Bringen Sie das untere Seitenteil wieder an. Siehe „Wiederanbringen der unteren Seitenteile“ auf Seite 104.
- 5 Wiederholen Sie Schritt 1 bis Schritt 4 für die andere Seite des Racks.

So installieren Sie die Bürste an der Rückseite des Racks:

- 1 Drehen Sie den Türgriff um eine Vierteldrehung im Uhrzeigersinn, um die hinteren Türen zu öffnen. Siehe Abbildung 2.
- 2 Richten Sie die Bürstenhalterung am Rackrahmen aus und setzen Sie die Bürstenhalterung in den Rackrahmen ein. Siehe Abbildung 6.
- 3 Sichern Sie die Bürstenhalterung mit den zwei Schrauben und Unterlegscheiben. Siehe Abbildung 6.
- 4 Schließen Sie die hintere Tür.

Abbildung 6. Bürsten installieren und entfernen



- | | | | |
|---|----------------------------------|---|--------------------------------|
| 1 | Seitliche Bürstenhalterungen (2) | 2 | Rackrahmen |
| 3 | Rückseitige Bürstenhalterung | 4 | Schrauben und Unterlegscheiben |

Entfernen und Wiederanbringen der Wartungsabdeckung für die Erweiterung



WARNUNG: Die Wartungsabdeckung für die Erweiterung darf nur entfernt werden, wenn Komponenten in den oberen Einschüben der Rackeinheit installiert oder daraus entfernt werden. Danach muss die Abdeckung umgehend wieder angebracht werden. Wenn die Wartungsabdeckung für die Erweiterung nicht im Rackgehäuse installiert ist, kann es zu einer Überhitzung von Komponenten im Rack kommen.



ANMERKUNG: Verwenden Sie die Wartungsabdeckung für die Erweiterung nicht als Ausgang, um Kabel aus dem Rack zu führen.

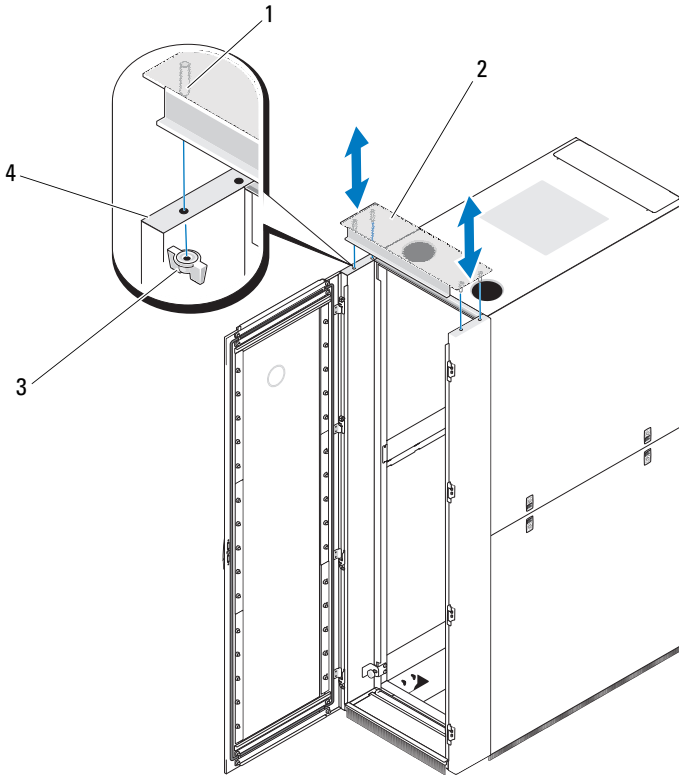


ANMERKUNG: Durch das Entfernen der Wartungsabdeckung für die Erweiterung können Sie die Geräte in den oberen Einschüben der Rackeinheit leichter installieren und warten upper rack unit spaces more easily.

Entfernen der Wartungsabdeckung für die Erweiterung

- 1 Lösen und entfernen Sie die vier Flügelmuttern an der Oberseite im Inneren der Erweiterung. Siehe Abbildung 7.
- 2 Heben Sie die Wartungsabdeckung für die Erweiterung an, bis die Stiftschrauben nicht mehr in den Öffnungen der Erweiterung sitzen.
- 3 Entfernen Sie die Wartungsabdeckung für die Erweiterung.

Abbildung 7. Wartungsabdeckung für die Erweiterung entfernen und wiederanbringen



- | | | | |
|---|--------------------|---|---------------------------------------|
| 1 | Stiftschrauben (4) | 2 | Wartungsabdeckung für die Erweiterung |
| 3 | Flügelmutter (4) | 4 | Erweiterung |

Wiederanbringen der Wartungsabdeckung für die Erweiterung

- 1 Richten Sie die Stiftschrauben an den Öffnungen in der Erweiterung aus und lassen Sie die Wartungsabdeckung für die Erweiterung auf die Oberseite des Racks herab. Siehe Abbildung 7.
- 2 Bringen Sie die vier Flügelmutter an.

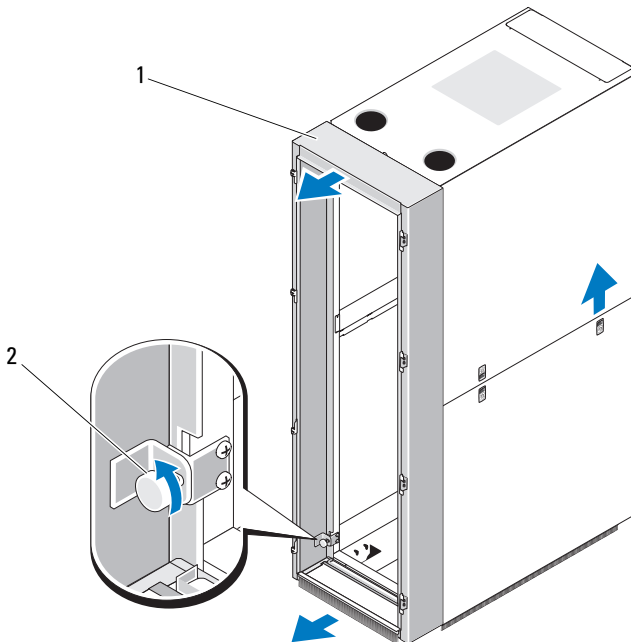
Entfernen und Wiederanbringen der Erweiterung

! **WARNUNG:** Versuchen Sie niemals, die Erweiterung alleine zu entfernen oder wiederanzubringen. Aufgrund der Größe und des Gewichts der Erweiterung sind für diesen Arbeitsschritt mindestens zwei Personen erforderlich.

Entfernen der Erweiterung

- 1 Nehmen Sie die vordere Tür ab. Siehe „Abnehmen der vorderen Tür“ auf Seite 98.
- 2 Vergewissern Sie sich, dass die Wartungsabdeckung für die Erweiterung installiert ist. Siehe Abbildung 8.
- 3 Entfernen Sie die vier Flügelschrauben, mit denen die Erweiterung am Rack befestigt ist.
- 4 Heben Sie die Erweiterung an und schieben Sie sie weg vom Rack. Siehe Abbildung 8.

Abbildung 8. Erweiterung entfernen und wiederanbringen



- 1 Wartungsabdeckung für die Erweiterung 2 Flügelschrauben (4)

Wiederanbringen der Erweiterung

Um die Erweiterung wieder anzubringen, befolgen Sie die Anweisungen zum Entfernen der Erweiterung in umgekehrter Reihenfolge.

Umgekehrtes Einbauen der vorderen Tür (optional)

Führen Sie die folgenden Schritte durch, um den Anschlag der Tür so zu ändern, dass sie sich in entgegengesetzter Richtung öffnet:

- 1 Nehmen Sie die vordere Tür ab. Siehe „Abnehmen der vorderen Tür“ auf Seite 98.
- 2 Entfernen Sie mit einem Torx-Schraubendreher T-30 und einem 10-mm-Schraubenschlüssel die Schrauben, mit denen die Scharniere an der Erweiterung befestigt sind. Siehe Abbildung 9.

Die zwei oberen Scharniere sind mit der Zahl 1 gekennzeichnet, während die zwei unteren Scharniere die Zahl 2 aufweisen.



ANMERKUNG: Die Zahl 1 steht auf dem Kopf, während die Zahl 2 richtig ausgerichtet ist.

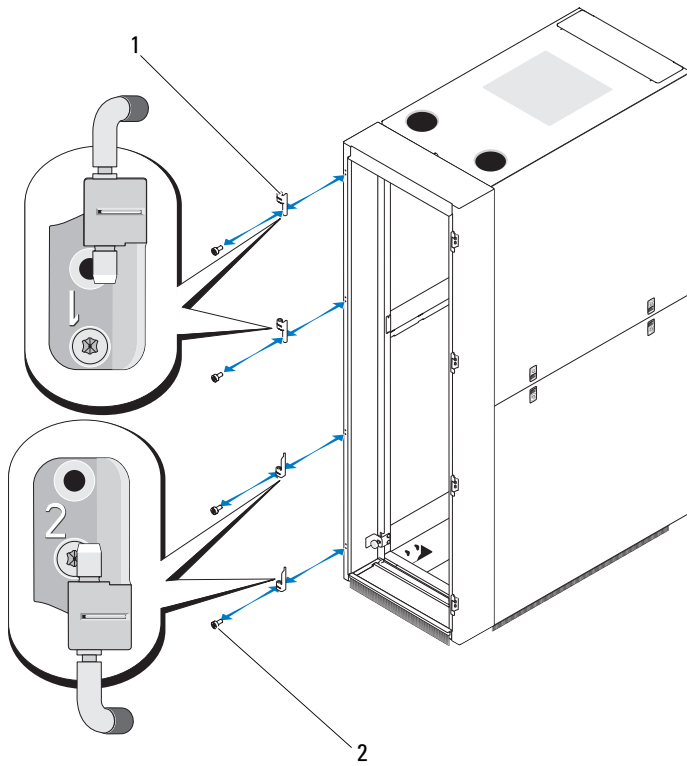


ANMERKUNG: Sammeln Sie beim Entfernen der Schrauben die losen Muttern aus dem Inneren der Erweiterung auf.



ANMERKUNG: Jedes Scharnier ist nur mit einer einzigen Schraube an der Erweiterung befestigt. Sämtliche Schrauben werden in dem jeweils unteren Scharnierloch installiert.


Abbildung 9. Scharniere von der Erweiterung entfernen



1 Scharniere (4)

2 Schrauben und Muttern (jeweils 4)

- 3 Entfernen Sie mit einem Torx-Schraubendreher T-30 und einem 10-mm-Schraubenschlüssel die Schrauben, mit denen die Verriegelungen an der Erweiterung befestigt sind. Siehe Abbildung 10.

 **ANMERKUNG:** Sammeln Sie beim Entfernen der Schrauben die losen Muttern aus dem Inneren der Erweiterung auf.


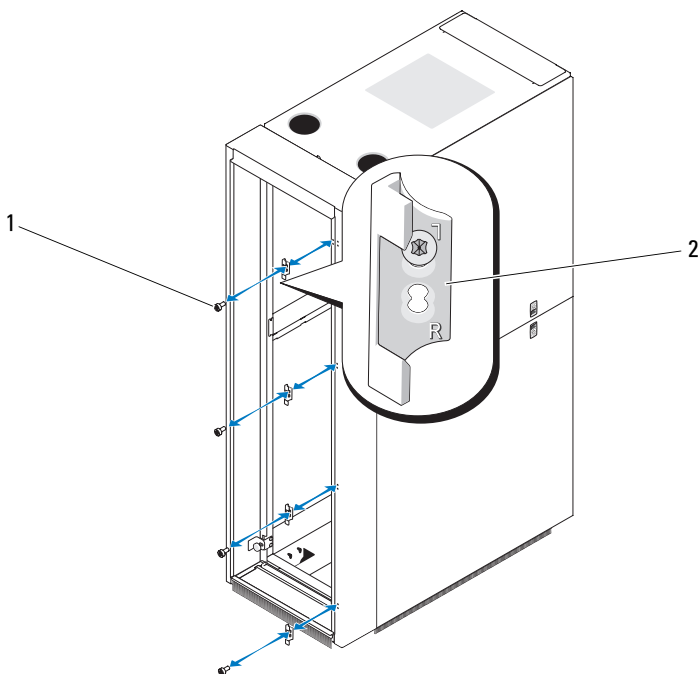
 **ANMERKUNG:** Jede Verriegelung zeigt an einem Ende den Buchstaben L und an dem anderen Ende den Buchstaben R. Die Verriegelungen werden so ausgerichtet, dass die Schraube bei allen Verriegelungen im obersten Loch installiert wird. Die Schrauben für die Verriegelungen werden in dem Loch installiert, das dem Buchstaben L am nächsten liegt.

Abbildung 10. Verriegelungen von der Erweiterung entfernen



- 1 Schrauben und Muttern (jeweils 4) 2 Verriegelungen (4)

- 4 Drehen Sie die Verriegelungen um 180 Grad und befestigen Sie sie mit Schrauben und Muttern an der entgegengesetzten Seite der Erweiterung. Siehe Abbildung 11.


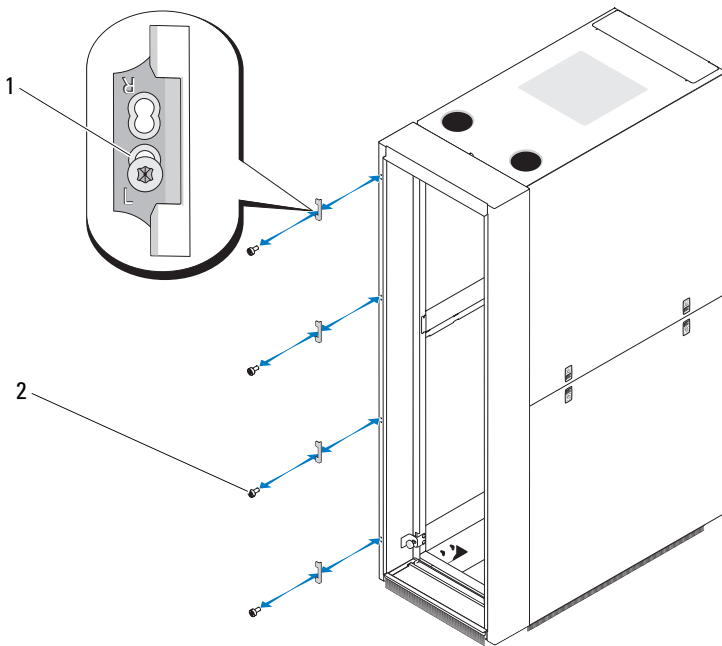
 **ANMERKUNG:** Sie müssen die Verriegelungen so ausrichten, dass die Schraube bei allen Verriegelungen im untersten Loch installiert wird. Die Schrauben für die Verriegelungen werden in dem Loch installiert, das dem Buchstaben L am nächsten liegt.

Abbildung 11. Verriegelungen an der Erweiterung anbringen



1 Verriegelungen (4)

2 Schrauben und Muttern (jeweils 4)

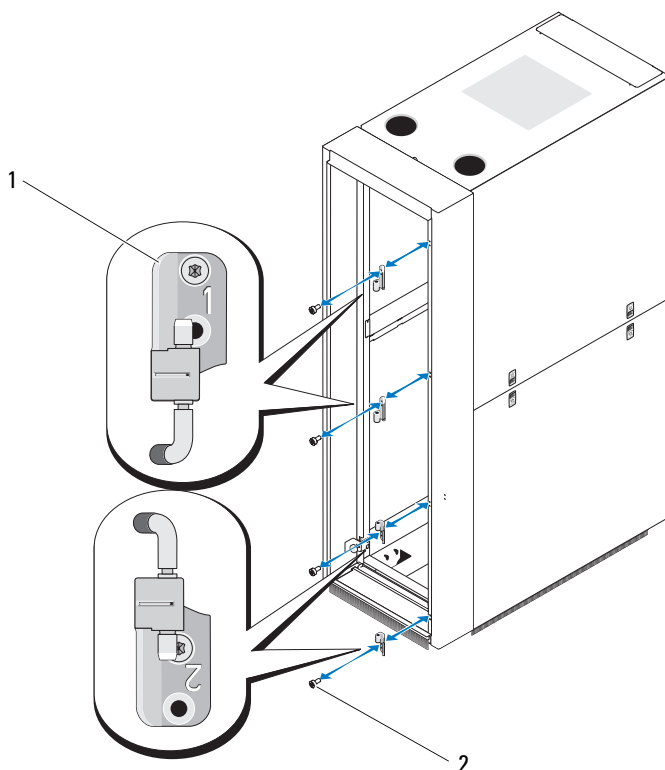
- 5 Drehen Sie die Scharniere um 180 Grad und befestigen Sie sie mit Schrauben und Muttern an der entgegengesetzten Seite der Erweiterung. Siehe Abbildung 12.

Die zwei oberen Scharniere sind mit der Zahl 1 gekennzeichnet, während die zwei unteren Scharniere die Zahl 2 aufweisen.

ANMERKUNG: Die Zahl 1 ist richtig ausgerichtet, während die Zahl 2 auf dem Kopf steht.

ANMERKUNG: Jedes Scharnier ist nur mit einer einzigen Schraube an der Erweiterung befestigt. Sämtliche Schrauben werden in dem jeweils oberen Scharnierloch installiert.

Abbildung 12. Scharniere an der Erweiterung anbringen



1 Scharniere (4)

2 Schrauben und Muttern (jeweils 4)

6 Drehen Sie die Sichtscheibe.

- a** Legen Sie die Tür auf dem Boden ab.
- b** Entfernen Sie mit einem 10-mm-Schraubenschlüssel sämtliche Muttern, mit denen die Sichtscheibe an der vorderen Tür befestigt ist. Siehe Abbildung 13.



ANMERKUNG: Es wird empfohlen, die Tür auf eine glatte und saubere Oberfläche zu legen, um das Risiko von Kratzern auf der Sichtscheibe und dem Dell-Etikett zu minimieren.

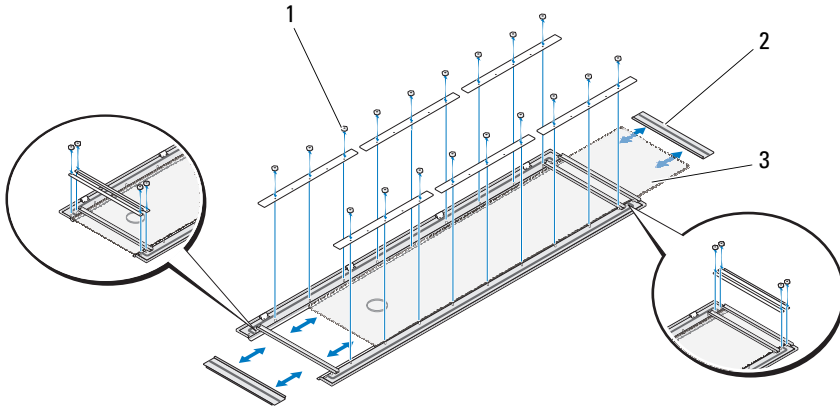
- c** Entfernen Sie oben und unten die Endstücke und schieben Sie die Sichtscheibe durch das obere oder untere Ende der Tür heraus. Siehe Abbildung 13.



ANMERKUNG: Stellen Sie beim Wiedereinsetzen der Sichtscheibe sicher, dass sich das Dell-Etikett auf derselben Seite der Tür wie der Griff befindet.

- d** Drehen Sie die Sichtscheibe und schieben Sie sie wieder in die Tür zurück, sodass sich das Emblem jetzt am entgegengesetzten Ende der Tür befindet.
- e** Setzen Sie oben und unten die Endstücke ein und installieren Sie sämtliche Muttern, mit denen die Sichtscheibe an der vorderen Tür befestigt ist. Siehe Abbildung 13.

Abbildung 13. Sichtscheibe der vorderen Tür drehen

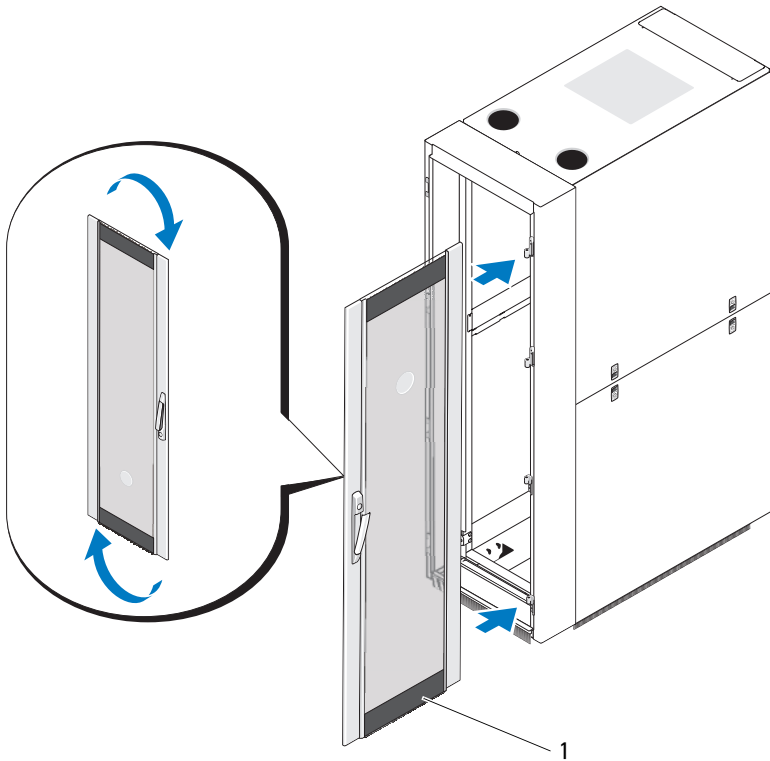


- 1 Muttern
- 3 Sichtscheibe

- 2 Endstücke (2)

- 7 Bringen Sie die vordere Tür wieder an, mit den Scharnierstiftgehäusen auf der rechten Seite der Tür und der Sperrklinke auf der linken Seite.
Siehe Abbildung 14.

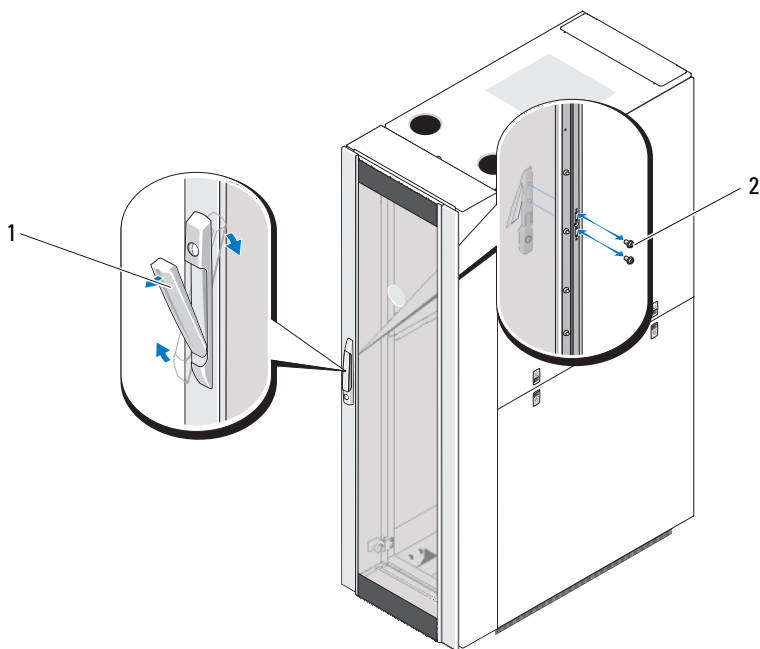
Abbildung 14. Vordere Tür anbringen



1 Vordere Tür

- 8** Drehen Sie den Griff um 180 Grad.
- a** Öffnen Sie den Griff und stellen Sie sicher, dass die beiden Schrauben zugänglich sind.
 - b** Markieren Sie mit einem Stück Klebeband oder einem Marker die Verbindungsstelle relativ zur Innenverkleidung der Tür. Siehe Abbildung 15.
 - c** Entfernen Sie mit einem Torx-Schraubendreher T-20 die beiden Schrauben, mit denen der Griff befestigt ist. Siehe Abbildung 15.
 - d** Drehen Sie den Griff um 180 Grad. Siehe Abbildung 15.

Abbildung 15. Griff der vorderen Tür um 180 Grad drehen



1 Griff

2 Schrauben (2)

- e Richten Sie die Grifflöcher bei geöffnetem Griff an den Verbindungsmarkierungen aus und installieren Sie die Schrauben. Siehe Abbildung 15.



ANMERKUNG: Wenn zum Markieren der Verbindungsstellen ein Stück Klebeband verwendet wurde, entfernen Sie das Klebeband.

Einstellen der höhenverstellbaren Rackfüße



WARNUNG: Lesen Sie die folgenden Anweisungen komplett durch, bevor Sie mit dem Anpassen der höhenverstellbaren Füße beginnen.

- Das Energy Smart-Rack muss über den Lochplatten platziert werden.
- Das Rack enthält vier höhenverstellbare Füße, die an den Ecken des Rackrahmens befestigt werden.
- Mit den höhenverstellbaren Füßen können Sie das Rack waagrecht ausrichten, wenn es auf einem leicht unebenen Untergrund steht.
- Bevor Sie die Systeme im Rack installieren, passen Sie die höhenverstellbaren Füße an den Untergrund an.
- Passen Sie die höhenverstellbaren Füße an, nachdem das Rack ordnungsgemäß platziert wurde und die Bürsten den belüfteten Bereich umgeben.



WARNUNG: Sorgen Sie beim Anpassen der höhenverstellbaren Füße dafür, dass die Rollen an den vier Ecken des Racks nicht mehr als 5,0 mm vom Boden abgehoben sind. Falls beim Anpassen der höhenverstellbaren Füße mehr als 5,0 mm Zwischenraum zwischen dem Boden und den Rollen entsteht, fahren Sie *langsam* die Füße ein und stellen Sie das Rack an einen anderen Stellplatz, an dem die höhenverstellbaren Füße nur wenig angepasst werden müssen.



WARNUNG: Verstellen Sie die Füße, bis jeder Fuß fest auf dem Boden aufliegt. Nur bei festem Bodenkontakt können die einzelnen Füße das Gewicht des Racks tragen und ein Wackeln des Racks verhindern. Wenn nicht alle höhenverstellbaren Füße festen Bodenkontakt haben, könnte das Rack aus dem Gleichgewicht geraten und umkippen.



WARNUNG: Versuchen Sie nicht, das Rack mit ausgefahrenen Füßen zu verschieben. Fahren Sie grundsätzlich zuerst die Füße ein, bevor Sie das Rack bewegen. Bei ausgefahrenen Füßen könnte das Rack umkippen, wenn Sie es verschieben möchten.



WARNUNG: Vor dem Installieren der Systeme sollten Sie grundsätzlich das Rack ausrichten und die Stabilisatoren befestigen. Ein voll beladenes Rack könnte umkippen, wenn es auf einem unebenen Untergrund steht und das Gewicht des Rack nicht auf den höhenverstellbaren Füßen und Stabilisatoren lastet.



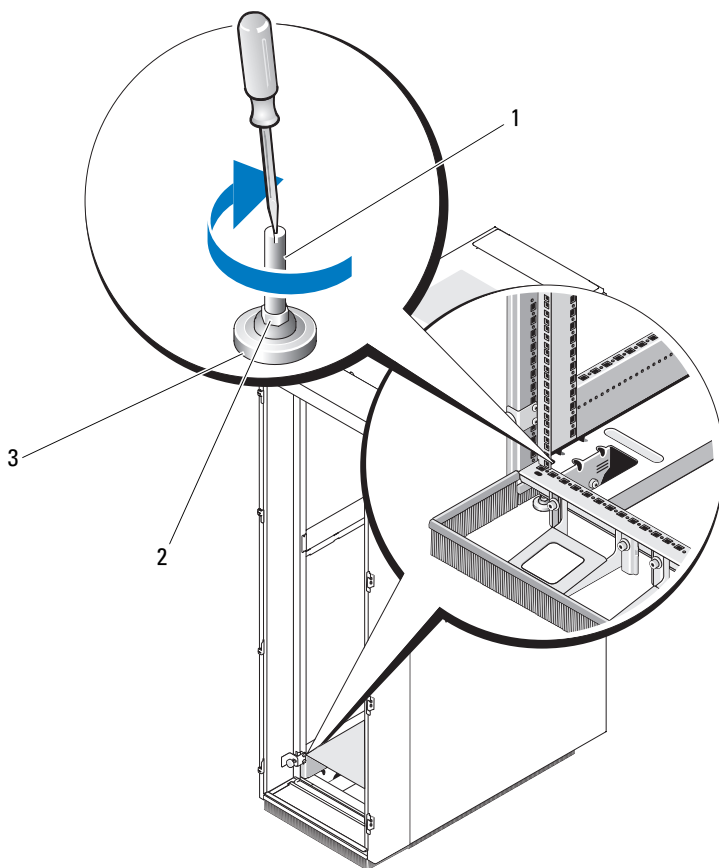
ANMERKUNG: Ist das Rack nicht korrekt ausgerichtet, können die Stabilisatoren eventuell nicht angebracht werden. Ohne Stabilisatoren kann das Rack jedoch umkippen.



ANMERKUNG: Stellen Sie sicher, dass alle Bürsten installiert sind, um eine wirksame Kühlung zu gewährleisten.

- 1 Senken Sie mit einem Schraubendreher den Fuß, bis er auf dem Boden aufliegt.
- 2 Um den Fuß noch weiter zu senken, ziehen Sie die Sechskantmutter mit einem 12-mm-Schraubenschlüssel im Uhrzeigersinn fest. Siehe Abbildung 16.
- 3 Wiederholen Sie Schritt 1 und Schritt 2 für die übrigen höhenverstellbaren Füße.
- 4 Überprüfen Sie, ob das Rack eben und stabil steht.

Abbildung 16. Höhenverstellbare FüÙe anpassen



- 1 Schaft des höhenverstellbaren Fußes
- 2 Sechskantmutter
- 3 Nivellierungsblock

Anbringen der Stabilisatoren



WARNING: Werden Systeme in einem Rack installiert, an dem die vorderen und seitlichen Stabilisatoren fehlen, kann das Rack umkippen, was unter Umständen schwere Verletzungen nach sich ziehen kann. Befestigen Sie daher immer zuerst die Stabilisatoren, bevor Sie Komponenten im Rack installieren.

Befestigen Sie die Stabilisatoren in folgender Reihenfolge am Rack:

- 1 Bringen Sie bei einem freistehenden Rack auf der Vorderseite und an den Seiten Stabilisatoren an.
- 2 Installieren Sie an jedem Rack in einer Rackreihe einen vorderen Stabilisator. Bringen Sie außerdem die Stabilisatoren an den beiden Racks am Anfang und am Ende der Reihe an.

Anbringen der vordere Stabilisatoren

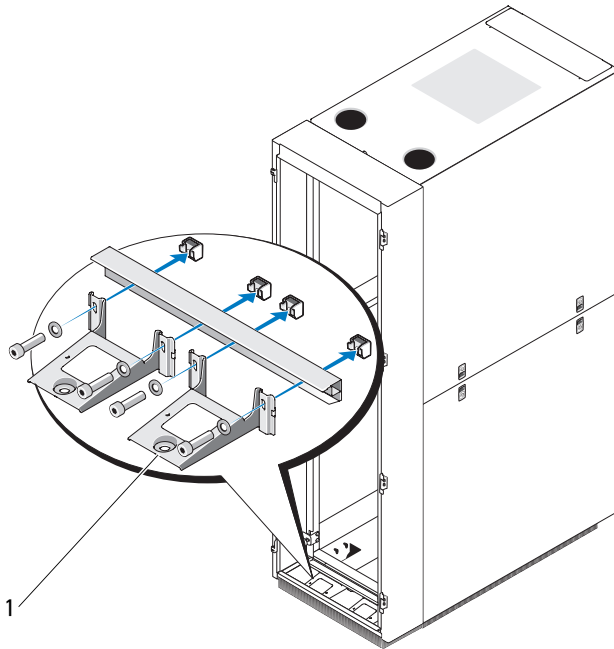
- 1 Öffnen Sie die vordere Tür.



ANMERKUNG: Die Stabilisatoren befinden sich in einem Zubehörkarton, der mit dem Rackgehäuse geliefert wird.

- 2 Legen Sie die vorderen Stabilisatoren jeweils vor den Rackrahmensockel und richten Sie die Fußlöcher nach den entsprechenden Rahmenlöchern aus.
- 3 Befestigen Sie mithilfe eines 6-mm-Inbusschlüssels jeden Fuß mit den Schrauben, Unterlegscheiben und Käfigmutter. Siehe Abbildung 17.

Abbildung 17. Vordere Stabilisatoren anbringen



- 1 Vordere Stabilisatoren (2)

Anbringen der seitlichen Stabilisatoren

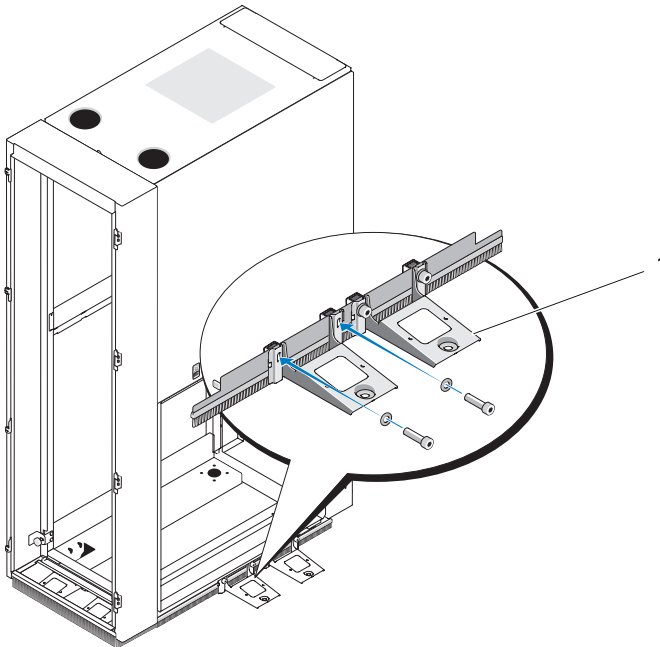


ANMERKUNG: Stellen Sie sicher, dass alle Bürsten installiert sind, um eine wirksame Kühlung zu gewährleisten.

- 1 Nehmen Sie die unteren Seitenteile ab. Siehe „Abnehmen der unteren Seitenteile“ auf Seite 103.
- 2 Lokalisieren Sie an der Seite der unteren Schiene des Rackrahmens die vier Schrauben, mit denen die seitlichen Bürsten am Rack befestigt sind. Siehe Abbildung 18.
- 3 Entfernen Sie mit einem 6-mm-Inbusschlüssel die Unterlegscheiben und Schrauben für einen einzigen Stabilisator.
- 4 Legen Sie einen Stabilisator vor die Bürstenhalterung, richten Sie ihn dabei an den Löchern aus und bringen Sie dann die Unterlegscheiben und Schrauben an.

- 5 Wiederholen Sie Schritt 3 und Schritt 4, um den zweiten Stabilisator auf derselben Seite anzubringen.
- 6 Wiederholen Sie den ganzen Vorgang, um Stabilisatoren auf der anderen Seite des Rackgehäuses anzubringen. Siehe Abbildung 18.
- 7 Bringen Sie die unteren Seitenteile wieder an. Siehe „Wiederanbringen der unteren Seitenteile“ auf Seite 104.

Abbildung 18. Seitliche Stabilisatoren anbringen



- 1 Seitliche Stabilisatoren (zwei pro Seite)

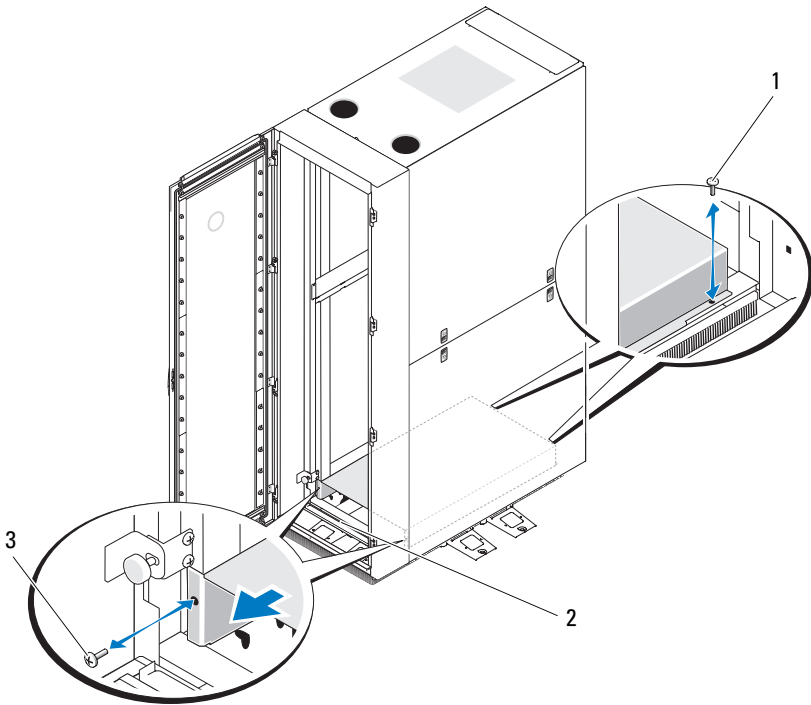
Anpassen der hinteren Rackstützen (optional)



ANMERKUNG: Verschieben Sie nicht die hinteren Rackstützen am Rackgehäuse. Die Stellungen der Rackstützen lassen sich an Systeme mit unterschiedlicher Tiefe anpassen.

- 1** Öffnen Sie die Türen des Racks.
- 2** Um den Luftkanal aus dem Rack zu entfernen, entfernen Sie mit einem Phillips Kreuzschlitzschraubenzieher PH 2 die beiden Schrauben vom vorderen Flansch (eine pro Seite) und zwei Schrauben von der Rückseite des Racks. Siehe Abbildung 19.
- 3** Drücken Sie den Luftkanal nach vorne oder nehmen Sie ihn aus dem Rackgehäuse, um an die unteren Schrauben für die Rackstütze gelangen zu können. Siehe Abbildung 19.

Abbildung 19. Luftkanal entfernen

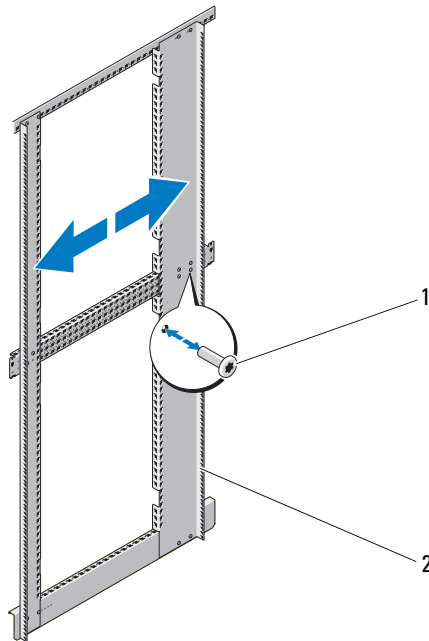


- 1 Hintere Schrauben (2)
- 3 Vordere Schrauben (2)

- 2 Luftkanal

- 4 Entfernen Sie die Schrauben von der Unterseite, der Mitte und der Oberseite der Stütze. Siehe Abbildung 20.
- 5 Verschieben Sie die Stütze zur gewünschten Position auf der Seitenfläche des Racks und installieren Sie die Schrauben in den entsprechenden Löchern.


Abbildung 20. Hintere Rackstützen anpassen




1 Schrauben

2 Hintere Rackstütze

- 6 Bringen Sie den Luftkanal wieder an, indem Sie den Vorgang umkehren, den Sie zum Entfernen des Luftkanals durchlaufen haben.

 **ANMERKUNG:** Der Luftkanal muss immer am Boden des Racks bleiben (in 1U und 2U) und darf nicht an eine andere Stelle im Rack versetzt werden.

 **ANMERKUNG:** Falls Sie nicht zwei oder mehrere Racks verbinden müssen, können Sie jetzt mit der Installation von Systemen im Rack beginnen. Informationen zur Installation von Komponenten im Rack finden Sie auf den weiß nummerierten Etiketten auf der Vorder- und Rückseite der Montage-schienen des Racks.

Verlegen der Kabel

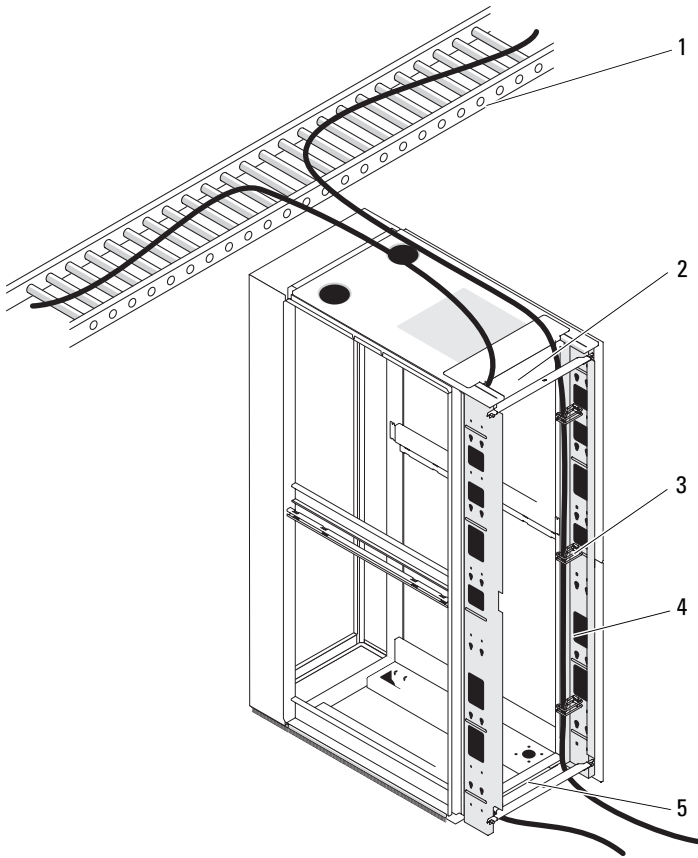
Das Rack bietet verschiedene Eigenschaften, die das Verlegen der Kabel vereinfachen. Siehe Abbildung 21.

- Durch die Stromverteilerrohre in jedem Rackflansch können die Stromversorgungskabel zu den im Rack installierten Systemen geführt werden.
- In die Stromverteilerrohre können Kabelklemmen montiert werden, um eine störungsfreie Kabelführung zu ermöglichen.

Für die Kabelführung aus dem Rack heraus gibt es in einer Standard-konfiguration zwei Möglichkeiten:

- Durch den Kabelausgang auf der Unterseite der hinteren Türen. Siehe Abbildung 21.
- Durch den verstellbaren Kabelschlitz an der Oberseite des Racks in einen Kabelkanal. Siehe Abbildung 21.

Abbildung 21. Optionen für die Kabelführung



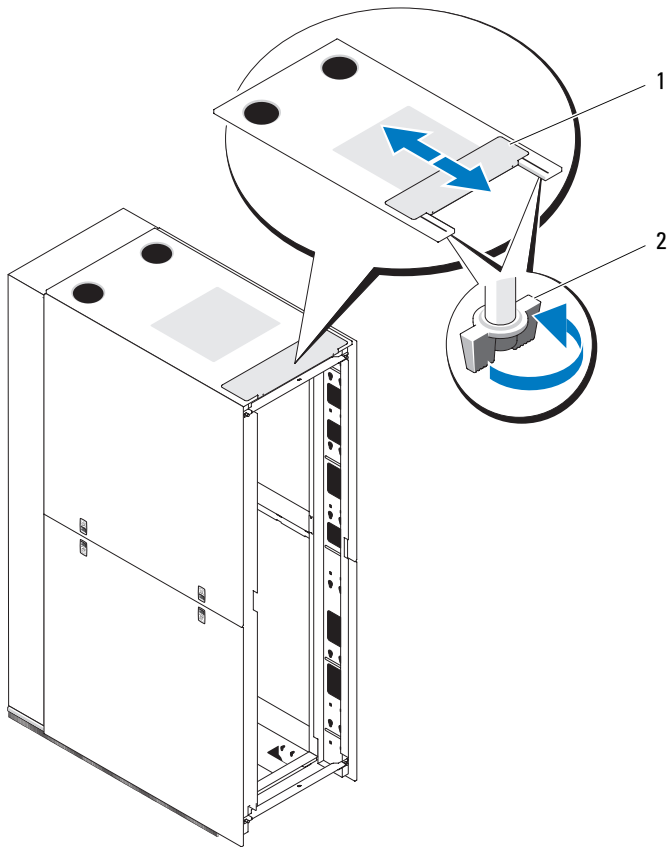
- | | | | |
|---|----------------------|---|-----------------------------------|
| 1 | Kabelkanal | 2 | Oberer Kabelschlitz |
| 3 | Kabelklemmen | 4 | Stromverteilerrohre (2 pro Seite) |
| 5 | Unterer Kabelausgang | | |

Öffnen und Schließen des oberen Kabelschlitzes

Der obere Kabelschlitz im Rack kann benutzt werden, um Kabel bis zu einem Kabelkanal zu führen.

- 1** Öffnen Sie die hinteren Türen.
- 2** Lösen Sie die Flügelmuttern unter der Kabelschlitzabdeckung. Siehe Abbildung 22.
- 3** Schieben Sie die Kabelschlitzabdeckung in Richtung der Vorderseite des Racks.
- 4** Führen Sie die Kabel durch die Oberseite des Racks.
- 5** Schließen Sie jede Lücke im Kabelschlitz, indem Sie die Schlitzabdeckung zur Rückseite des Racks ziehen.
- 6** Sichern Sie die Abdeckung mit den Flügelmuttern.

Abbildung 22. Oberen Kabelschlitz öffnen und schließen



1 Kabelschlitzabdeckung

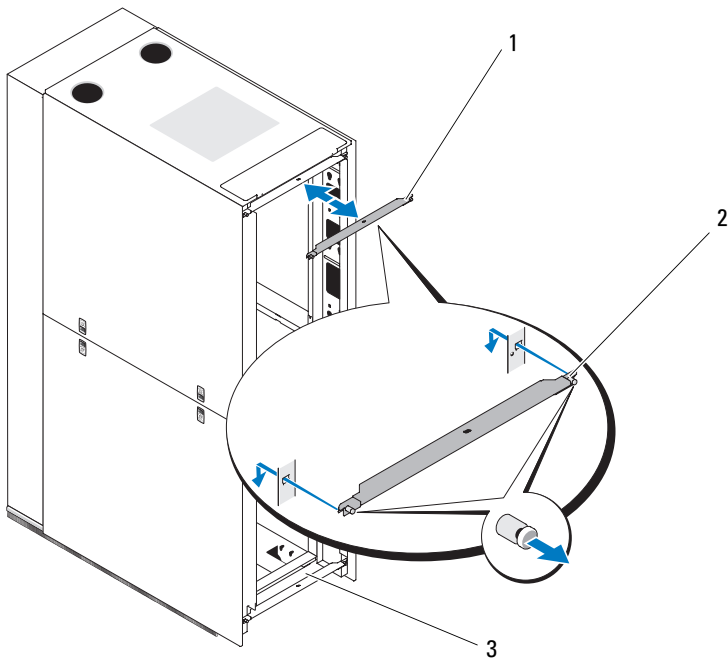
2 Flügelmuttern (2)

Entfernen und Installieren der Stabilisierungsstege für die hintere Tür

Die oberen und unteren Stege, die die hinteren Türen stabilisieren, lassen sich entfernen, um das Verlegen der Kabel durch die Oberseite und Unterseite des Racks zu erleichtern.

- 1 Öffnen Sie die hinteren Türen.
- 2 Ziehen und halten Sie die Stöpsel auf beiden Seiten des Stegs und ziehen Sie den Steg nach oben und weg vom Rack. Siehe Abbildung 23.
- 3 Verlegen Sie die Kabel und bringen Sie die Stege wieder an, indem Sie die Laschen auf den Stegen an den entsprechenden Öffnungen im Rack ausrichten.
- 4 Drücken Sie die Stöpsel hinein, bis sie einrasten.

Abbildung 23. Stabilisierungsstege für die hintere Tür entfernen und installieren



- | | | | |
|---|---|---|----------------------|
| 1 | Stabilisierungssteg für die hintere Tür (oben) | 2 | Stöpsel (2 pro Steg) |
| 3 | Stabilisierungssteg für die hintere Tür (unten) | | |

Verbinden von zwei Racks

! WARNUNG: Versuchen Sie niemals, die Türen des Racks alleine abzunehmen oder anzubringen. Aufgrund der Größe und des Gewichts der Türen sind für diesen Arbeitsschritt mindestens zwei Personen erforderlich.

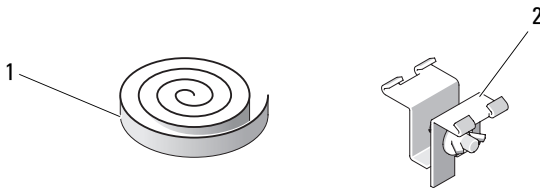
! WARNUNG: Nachdem dem Einsatz des Verbindungskits müssen Sie die vorderen Stabilisatoren an der Vorderseite der Racks und an den Außenseiten anbringen.

- 1 Packen Sie beide Racks aus und stellen Sie sie auf.
- 2 Entpacken Sie das Verbindungsset. Siehe Abbildung 24.

Das Rack-Verbindungsset hat folgenden Inhalt:

- Ein Dichtungsstreifen
- Vier Kupplungsklammern

Abbildung 24. Rack-Verbindungsset




1 Dichtungsstreifen

2 Kupplungsklammern (4)

! WARNUNG: Alle Bürsten müssen installiert werden und ihre Borsten müssen dabei den Boden berühren, damit entlang des unteren Randes des Rackgehäuses eine Abdichtung geschaffen wird. Das Entfernen der Bürsten kann zu einer reduzierten Kühlleistung innerhalb des Gehäuses führen.

- 3 Nehmen Sie die Türen und Seitenteile von beiden Racks ab. Siehe „Vordere Tür abnehmen“ auf Seite 99, „Abnehmen der hinteren Türen“ auf Seite 100 und „Abnehmen und Wiederanbringen der Seitenteile“ auf Seite 102.
- 4 Schneiden Sie ein Stück des Dichtungsstreifens ab, entfernen Sie die Schutzfolie und bringen Sie das Stück auf einem der Racks an. Der Dichtungsstreifen muss entlang der Kontaktstelle mit dem benachbarten Rack angebracht werden. Siehe Abbildung 25.

 **ANMERKUNG:** Stellen Sie sicher, dass der Dichtungstreifen nicht auf der Erweiterung angebracht wird.


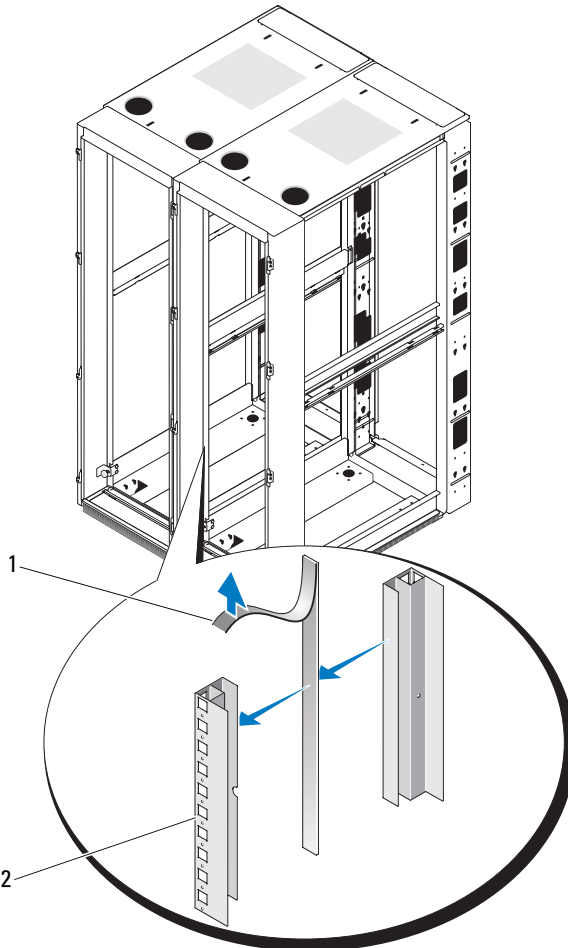
 **ANMERKUNG:** Sie können die Streifenabschnitte auf einem beliebigen Rack anbringen, solange durch die Streifen beide Racks vor Kratzern geschützt werden.

Abbildung 25. Dichtungstreifen anbringen

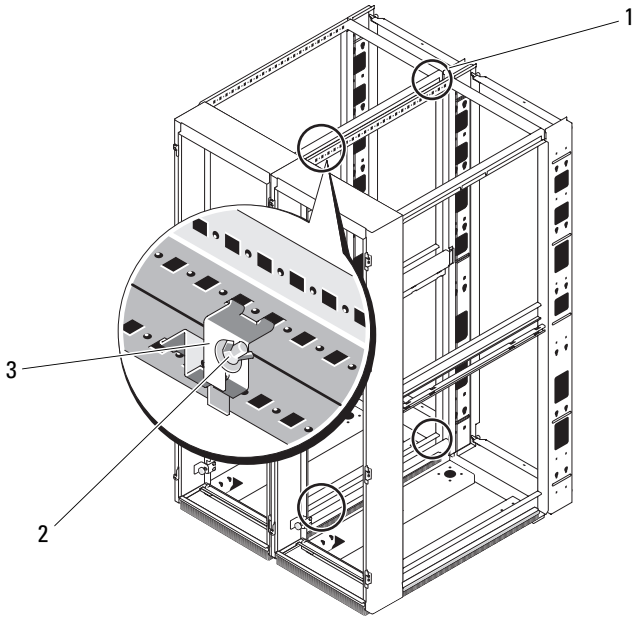


1 Dichtungstreifen

2 Rackrahmen

- 5** Installieren Sie die Kupplungsklammern.
 - a** Stellen Sie die beiden Racks nebeneinander.
 - b** Stellen Sie die höhenverstellbaren Füße beider Racks so ein, dass sich die Racks auf derselben Höhe befinden und parallel nebeneinander stehen. Weitere Informationen finden Sie unter „Höhenverstellbare Füße anpassen“ auf Seite 121.
 - c** Setzen Sie die Klammern in die viereckigen Öffnungen im Inneren der und neben den Rackstützen ein und ziehen Sie die Klammern mit den Flügelschrauben fest. Siehe Abbildung 26.
- 6** Bringen Sie die vorderen Stabilisatoren an. Siehe „Anbringen der vordere Stabilisatoren“ auf Seite 122.
- 7** Bringen Sie bei beiden Racks die Türen und die äußeren Seitenteile wieder an. Siehe „Vordere Tür abnehmen“ auf Seite 99, „Abnehmen der hinteren Türen“ auf Seite 100 und „Abnehmen und Wiederanbringen der Seitenteile“ auf Seite 102.

Abbildung 26. Zwei Racks verbinden



- 1 Positionen der Kupplungsklammern
- 2 Flügelschraube
- 3 Kupplungsklammern (4)

Dell Energy Smart ラックエ
ンクロージャ
設置ガイド



メモ、注意、警告



メモ：コンピュータを使いやすくするための重要な情報を説明しています。



注意：手順に従わないと、ハードウェアの損傷やデータの損失につながる可能性があることを示しています。



警告：物的損害、けが、または死亡の原因となる可能性があることを示しています。

**本書の内容は予告なく変更されることがあります。
© 2011 すべての著作権は Dell Inc. にあります。**

Dell Inc. の書面による許可のない複製は、いかなる形態においても厳重に禁じられています。

本書に使用されている商標：Dell™、DELL ロゴ、および PowerEdge™ は Dell Inc. の商標です。

商標または製品の権利を主張する事業体を表すためにその他の商標および社名が使用されていることがあります。それらの商標や会社名は、一切 Dell Inc. に帰属するものではありません。

目次

安全にお使いいただくために	141
安全について：システムのラック への取り付け	141
ラックの取り付け手順	142
ラックの仕様	142
作業を開始する前に	143
奨励するツールおよび備品	144
ラックキャビネットの取り付け	144
ラック前面扉の開閉	145
ラックの扉の取り外しと取り付け	145
サイドパネルの取り外しと取り付け	149
ブラシの取り付け	152
エクステンションサービスカバーの 取り外しと取り付け	154
エクステンションの取り外しと取り付け	156
前面扉の反転（オプション）	158
ラック水平調節用の脚の固定	166
ラックスタビライザの取り付け	168
背面ラックポストの調整（オプション）	171
ケーブルの配線	173
2台のラックの連結	178

安全にお使いいただくために

ご自身の身体の安全を守り、装置および作業環境を保護するために、以下の安全に関するガイドラインに従ってください。安全および認可機関に関する詳細情報は、装置に付属しているマニュアルの安全にお使いいただくための注意事項を参照してください。保証情報は、このマニュアルに含まれている場合と、別の文書として付属する場合があります。

安全について：システムのラックへの取り付け


ラックの安定性や安全性に関して、以下の点にご注意ください。また、特定の注意文および手順については、システムおよびラックに付属のラック取り付けマニュアルを参照してください。


システムはラックの一部とみなします。「コンポーネント」には、さまざまな周辺機器やサポートハードウェアと同様に、システムも含まれます。

注意：ラックに取り付けるシステムの注意事項

- お使いのラックキットは、ご購入いただいたラックキャビネット専用として承認されています。装置をその他のラックに取り付ける場合は、ユーザーの責任において、適用されるすべての基準に適合することを確認してください。デルでは、本製品以外のラックとの組み合わせは保証しておらず、いかなる責任も負いません。
- ラックエンクロージャは、上げ床の通気タイルを空気が流れることによって冷却されます。エンクロージャにコンポーネントを取り付ける前に、ラックエンクロージャを通気タイル上に置いてください。
- 装置をラックに取り付ける前に、ラックが 168 ページの「ラックスタビライザの取り付け」の指示に従って正しく固定されていることを確認します。
- ラックには必ず下から上へと、最も重いものから順に設置します。
- ラックに電力を供給する AC 分岐回路に過重電流を流さないでください。
- ラック内のコンポーネントの上に乗ったり、足をかけたりしないでください。

- 床からラックエンクロージャの前面に冷風を流すために、ラック底部のエアーチャンネルが使われます。エアーチャンネルは常にラックの底部（1U および 2U）に取り付けておいてください。ラック内の別の位置に移動しないでください。
- エアーチャンネルをコンポーネント用の棚や踏み台として使用しないでください。

 **警告：**付属のブラシはすべて取り付けます。ブラシの剛毛が床と接触し、ラックエンクロージャの底部周囲を密閉している必要があります。ブラシを取り外すと、エンクロージャ内の冷却効率が低下する可能性があります。


 **警告：**エクステンションサービスカバーは、ラックユニットの上部スペースでコンポーネントの取り付けや取り外しを行う場合にのみ取り外し、コンポーネントの取り付けや取り外しを終えたら、直ちに付けてください。エクステンションサービスカバーがラックエンクロージャに取り付けられていないと、ラック内のコンポーネントがオーバーヒートするおそれがあります。

ラックの取り付け手順






この設置ガイドは、ラックエンクロージャの設置作業を行う、トレーニングを受けたサービス技術者向けの手順書です。本書では、ラックの組み立て、2台のラックの連結、ラック内のケーブルの配線について説明します。ラックの取り付けは、奨励するツールを使用して行ってください。

取り付けを開始する前に、すべての手順をよくお読みください。

ラックの仕様




 **メモ：**ラックは、米国規格協会（ANSI）、電子部品協会（ECA）規格 EIA/ECA-310-E、国際電気標準会議（IEC）60297-3-100、ドイツ工業規格（DIN）41494 の仕様に適合しています。

作業を開始する前に

-  **警告：**ラックへの取り付け作業を開始する前に、143ページの「安全に関する重要な注意」、およびラックに付属しているガイドの安全にお使いいただくための注意事項をよくお読みください。
-  **警告：**複数のシステムをラックに取り付ける場合は、1台のシステムの取り付け手順を完了してから、次のシステムの取り付けに進んでください。
-  **警告：**ラックキャビネットはサイズが非常に大きく重量もありますが、キャスターで簡単に移動できるようになっています。このキャスターにはブレーキがありません。ラックキャビネットを移動するときは十分な注意が必要です。ラックキャビネットを別の場所に移動するときは、水平調節用の脚を収納してください。長い傾斜面、急勾配、または凹凸のある場所、スロープなど、バランスが取りにくい場所にはキャビネットを設置しないでください。水平調節用の脚を伸ばしてキャビネットを支え、キャビネットが動かないようにしてください。
-  **警告：**ラックキャビネットの移動を凹凸のある場所で行わないでください。キャスターが強い衝撃を受けて壊れ、ラックが不安定になって転倒するおそれがあります。
-  **警告：**コンポーネントを取り付けた状態でラックを移動しないでください。フル装備のラックを少しでも傾斜している面に移動すると、ラックが不安定になり、転倒するおそれがあります。

安全に関する重要な注意

システムをラックに取り付けるときは、次の各項の安全に関する注意を遵守してください。

-  **警告：**作業者は、自分自身と周囲の人々を保護するために、本書の手順に必ず従ってください。本システムは非常に重量があり大きいため、ご自身と周囲の人々のけがを防ぐために準備と計画を適切に行うことが重要です。これは、特にシステムをラックの高い位置に取り付ける場合に重要になります。通気タイルと床の土台が、すべてのコンポーネントを取り付けたラックエンクロージャの重量に耐えられることを確認してください。
-  **警告：**単体ラックでは前面と側面のスタビライザ、連結ラックでは前面のスタビライザを取り付けてからラックにシステムを取り付けてください。スタビライザを正しく取り付けずにシステムをラックに取り付けると、ラックが転倒し、けがをするおそれがあります。
-  **警告：**ラックにシステムを取り付けた後は、スライドアセンブリ上の複数のシステムを同時にラックから引き出さないでください。引き出された複数のシステムの重みでラックが転倒し、けがをするおそれがあります。

奨励するツールおよび備品

ラックを取り付けるには、以下のツールと備品が必要です。

- #2 プラスドライバー
- マイナスドライバー
- 12 mm レンチ
- 10 mm レンチ（前面扉を逆向きにする際に使用）
- T20 トルクスドライバー（前面扉を逆向きにする際に使用）
- T30 トルクスドライバー（前面扉を逆向きにする際に使用）
- ラックの扉とサイドパネルのキー
- 6 mm アレンレンチ
- 可動レンチ（ラックをパレットから取り外す際に使用）

ラックキャビネットの取り付け

ラックキャビネットの取り付けでは、以下の作業を行います。

- 1 ラック前面扉の開閉
- 2 ラックの扉の取り外しと取り付け
- 3 サイドパネルの取り外しと取り付け
- 4 ブラシの取り付け
- 5 エクステンションサービスカバーの取り外しと取り付け
- 6 エクステンションの取り外しと取り付け
- 7 前面扉を逆向きにする
- 8 ラックの水平調節用の脚を固定する
- 9 ラックスタビライザの取り付け
- 10 背面ラックポストの調整
- 11 ケーブルの配線
- 12 2 台のラックの連結

ラック前面扉の開閉


ラック前面扉を開くには、次の手順に従います。

- 1 キーが挿入されているハンドルロックシリンダを押し込みます。
図 1 を参照してください。
- 2 ハンドルのロックが外れたら、引き上げて扉をキャッチから外します。
図 1 を参照してください。
- 3 前面扉を完全に開きます。図 1 を参照してください。

扉を閉じるには、次の手順に従います。

- 1 扉のフレームをエクステンションフレームに対して均等に押し、
扉がエクステンションフレームに接触していることを確認します。
- 2 ハンドルを押し下げて扉にラッチをかけます。


ラックの扉の取り外しと取り付け

 **警告：**ラックキャビネットの扉の取り外しおよび取り付けは、1人では行わないでください。ラックキャビネットの扉のサイズと重量を考慮すると、この手順は2人以上で行う必要があります。

前面扉の取り外し

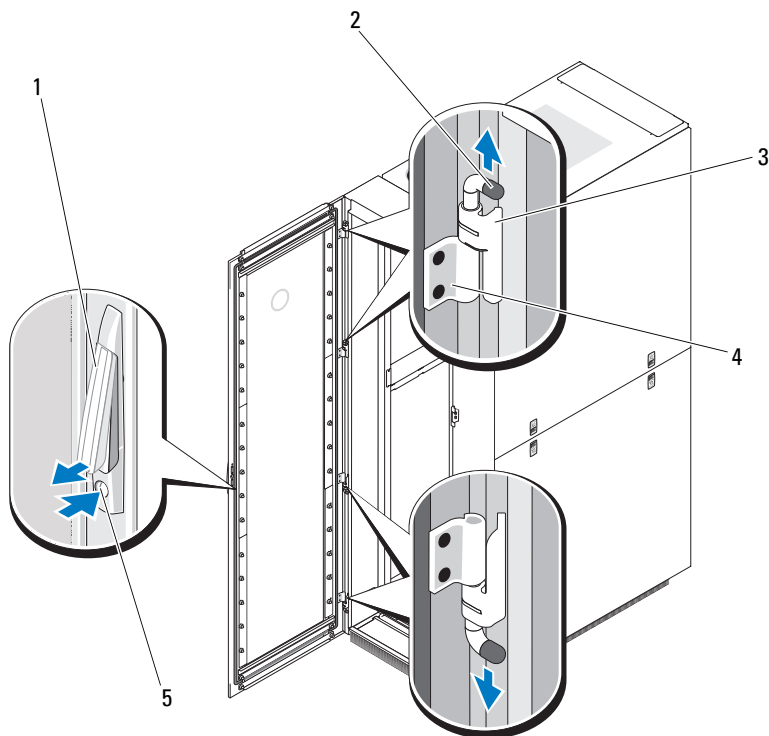
- 1 ラックの扉を開きます。145 ページの「ラック前面扉の開閉」を参照してください。
- 2 扉を支えた状態で、ラックの下側から順にヒンジピンを外します。
扉から外す最後のピンが上部ヒンジピンです。
ヒンジピンの取り外しは次の手順で行います。
 - a ヒンジピンを引いて、扉のピン受けから外します。扉底部のヒンジピン（2本）は下方向に引きます。扉上部のヒンジピン（2本）は上方向に引きます。図 1 を参照してください。
ヒンジピンには固定クリップがあるため、ヒンジがヒンジ本体から外れてしまうことはありません。
 - b 扉をラックからわずかに引き離して、ヒンジ本体から離します。

 **警告：**扉を保管する際には、不意に倒れてけがをしないように水平に寝かせておきます。

 **警告：**取り外した扉は、サイズと重量を考慮して、外側の面を上に向けて水平に寝かせておくことをお勧めします。

- 3 扉のバッジと化粧仕上げに傷がつくことを防ぐために、外側の面を上に向けて、扉を安全な場所に置きます。

図 1. 前面扉の取り外し



- | | | | |
|---|---------|---|-----------|
| 1 | ハンドル | 2 | ヒンジピン (4) |
| 3 | ヒンジ本体 | 4 | ピン受け (4) |
| 5 | ロックシリンダ | | |

前面扉の取り付け

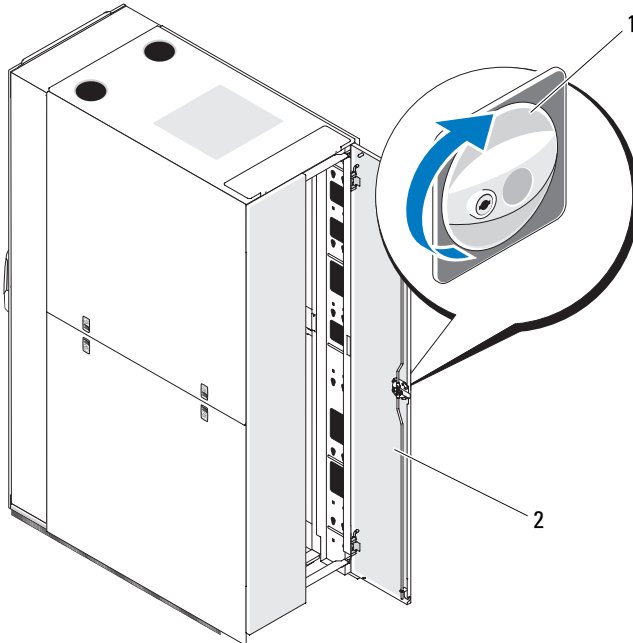
前面扉を取り付ける場合は、取り外しの手順を逆の順序で行います。

背面扉の取り外し

⚠ 警告：ラックキャビネットの扉の取り外しおよび取り付けは、1人では行わないでください。ラックキャビネットの扉のサイズと重量を考慮すると、この手順は2人で行う必要があります。

- 1 扉のハンドルを時計回りに 90 度回して背面扉を開きます。図 2 を参照してください。

図 2. 背面扉の開き方

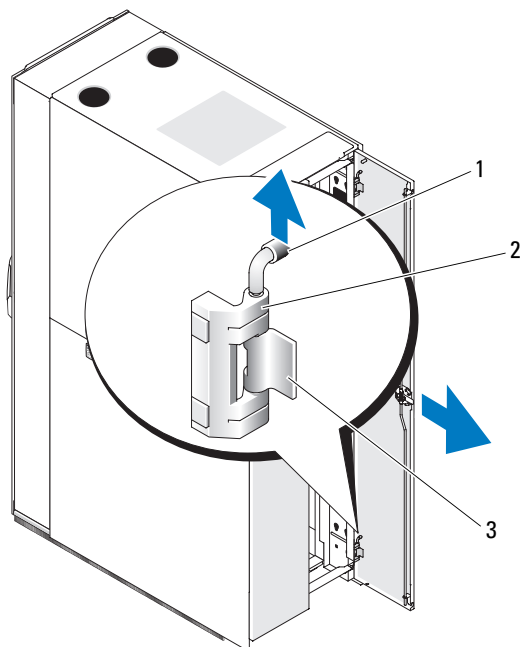


1 扉のハンドル

2 背面扉 (2)

- 2 右側の背面扉を取り外します。
 - a 扉を支えた状態で、上部ヒンジのピンを引いて、ピン受けから外します。図 3 を参照してください。
ピンをピン受けから引き出すと、カチッという音がします。ヒンジピンはヒンジ本体から抜けられないような構造になっています。
 - b 下部ヒンジについて、手順 a を繰り返します。
 - c ラックから扉を外します。

図 3. 背面扉の取り外し



- 1 ヒンジピン
2 ヒンジ本体
3 ヒンジピンのピン受け

⚠ 警告：取り外した扉は、サイズと重量を考慮して、外側の面を上に向けて水平に寝かせておくことをお勧めします。

d 外側の面を上に向けて、扉を安全な場所に置きます。

📌 メモ：扉の化粧仕上げが傷つかないように、外側の面を上に向けて水平に寝かせます。

3 左側の背面扉について、手順 a から手順 d を繰り返します。

背面扉の取り付け

背面扉を取り付ける場合は、取り外しの手順を逆の順序で行います。

サイドパネルの取り外しと取り付け



メモ：サイドブラシと側面スタビライザを取り付けるために、下部サイドパネルを取り外します。



メモ：ラックにシステムを取り付けるためにサイドパネルを外す必要はありませんが、側面部を開けておくことにより、スライドアセンブリおよびサポートレールを取り付けたり、前面扉が開く方向を替える作業が容易になります。

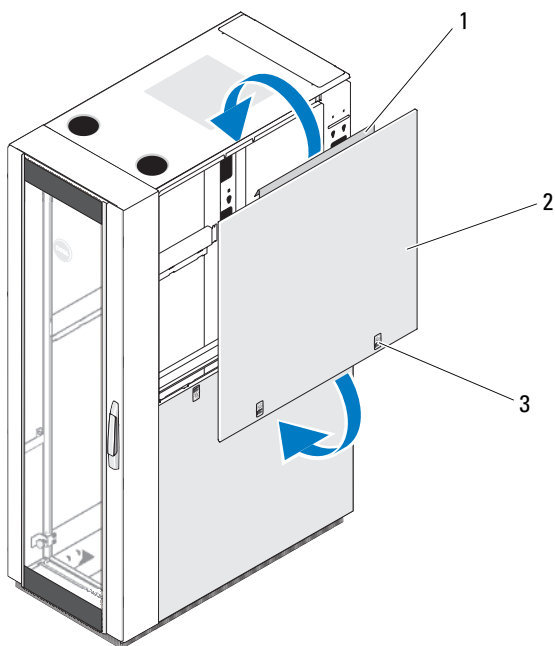
上部サイドパネルの取り外し

- 1 両方のラッチを引き上げ、パネルの下端をラックから離します。
図 4 を参照してください。
- 2 パネルの両側をしっかりと持ちます。
- 3 パネルを持ち上げて、パネルの縁をラックの上部から外します。
- 4 パネルの化粧仕上げが傷つかないように、外側の面を上に向けて、パネルを安全な場所に置きます。
- 5 反対側の上部サイドパネルについて、手順 1 から手順 4 を繰り返します。

上部サイドパネルの取り付け

- 1 上部サイドパネルをラック上に持ち上げ、パネルの縁をラックの上部に掛けます。図 4 を参照してください。
- 2 パネルの下端を下げてラックに合わせます。
- 3 両方のラッチが所定の位置に固定されるまで、パネルをラックに押し付けます。

図 4. 上部サイドパネルの取り付け



- 1 パネルの縁
- 2 上部サイドパネル
- 3 ラッチ (2)

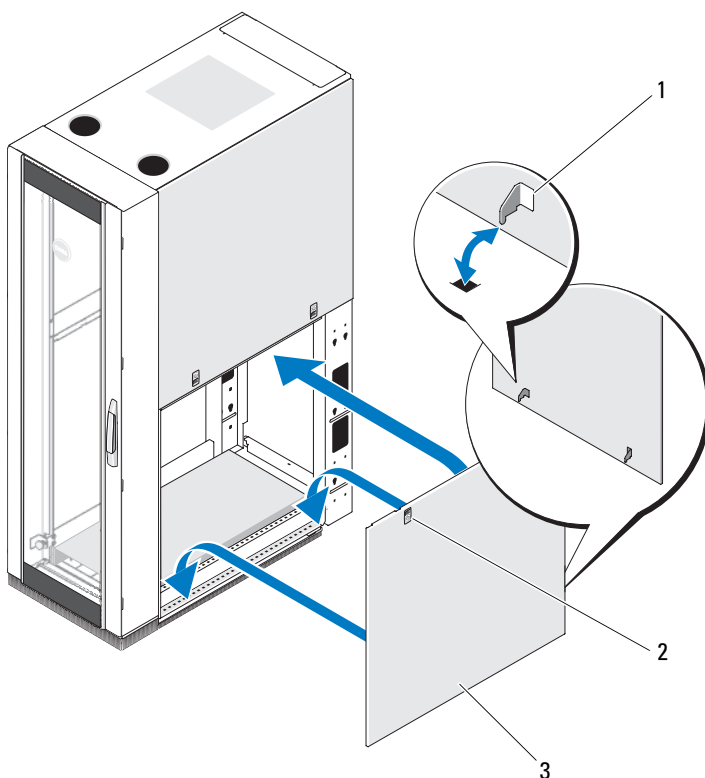
下部サイドパネルの取り外し

- 1 両方のラッチを引き下げ、サイドパネルの上部が外側に向かってわずかに開くようにします。
- 2 パネルの両側をしっかりと持ちます。
- 3 パネルフックがラックフレーム底部の穴から外れるまで、パネルを持ち上げます。
- 4 パネルの化粧仕上げが傷つかないように、外側の面を上に向けて、パネルを安全な場所に置きます。
- 5 反対側の下部サイドパネルについて、手順 1 から手順 4 を繰り返します。

下部サイドパネルの取り付け

- 1 パネルをラック内に下ろし、パネルフックをラックフレーム底部の後部穴に、前面フックをラックフレーム前部の対応する穴に、それぞれ挿入します。図 5 を参照してください。
- 2 パネルの上端をラックに近づけます。
- 3 両方のラッチが所定の位置に固定されるまで、パネルをラックに押し付けます。


図 5. 下部サイドパネルの取り付け



- 1 パネルフック (2)
- 3 下部サイドパネル

- 2 ラッチ (2)

ブラシの取り付け

 **警告**：付属のブラシはすべて取り付けます。ブラシの剛毛が床と接触し、ラックエンクロージャの底部周囲を密閉している必要があります。ブラシを取り外すと、エンクロージャ内の冷却効率が低下する可能性があります。

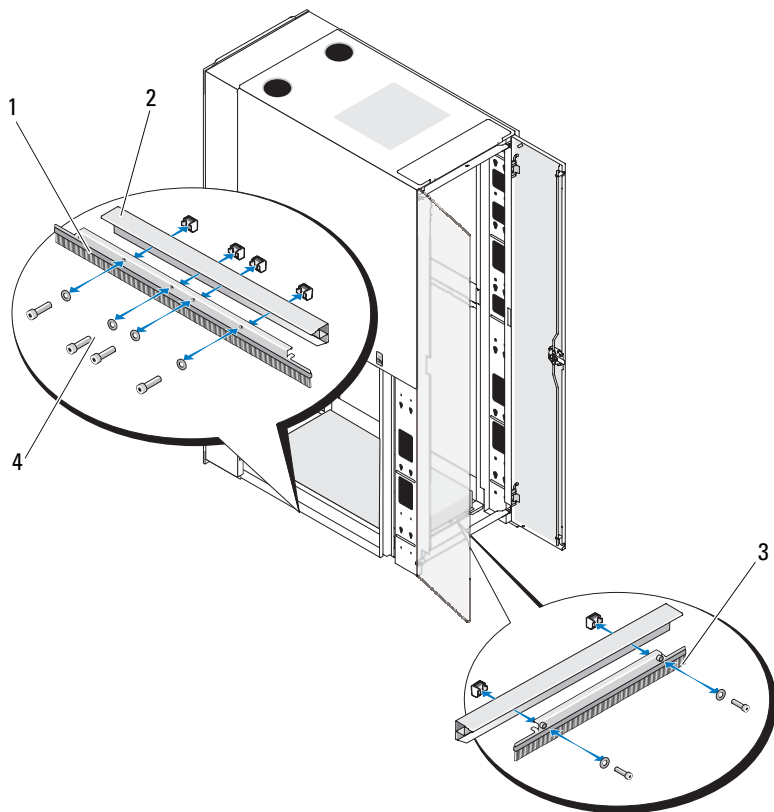
ブラシをラックの側面に取り付けるには、次の手順に従います。

- 1 下部サイドパネルを取り外します。150 ページの「下部サイドパネルの取り外し」を参照してください。
- 2 ブラシブラケットをラックフレームに合わせ、挿入します。図 6 を参照してください。
- 3 ブラシブラケットを 4 本のボルトとワッシャーで固定します。図 6 を参照してください。
- 4 下部サイドパネルを取り付けます。151 ページの「下部サイドパネルの取り付け」を参照してください。
- 5 ラックの反対側について、手順 1 から手順 4 を繰り返します。

ブラシをラックの背面に取り付けるには、次の手順に従います。

- 1 扉のハンドルを時計回りに 90 度回して背面扉を開きます。図 2 を参照してください。
- 2 ブラシブラケットをラックフレームに合わせ、挿入します。図 6 を参照してください。
- 3 ブラシブラケットを 2 本のボルトとワッシャーで固定します。図 6 を参照してください。
- 4 背面扉を閉じます。

図 6. ブラシの取り付けと取り外し




1 サイドブラシブラケット (2)


2 ラックフレーム


3 背面ブラシブラケット

4 ボルトとワッシャー

エクステンションサービスカバーの取り外しと取り付け

 **警告：**エクステンションサービスカバーは、ラックユニットの上部スペースでコンポーネントの取り付けや取り外しを行う場合のみ取り外し、コンポーネントの取り付けや取り外しを終えたら、直ちに取り付けてください。エクステンションサービスカバーがラックエンクロージャに取り付けられていないと、ラック内のコンポーネントがオーバーヒートするおそれがあります。

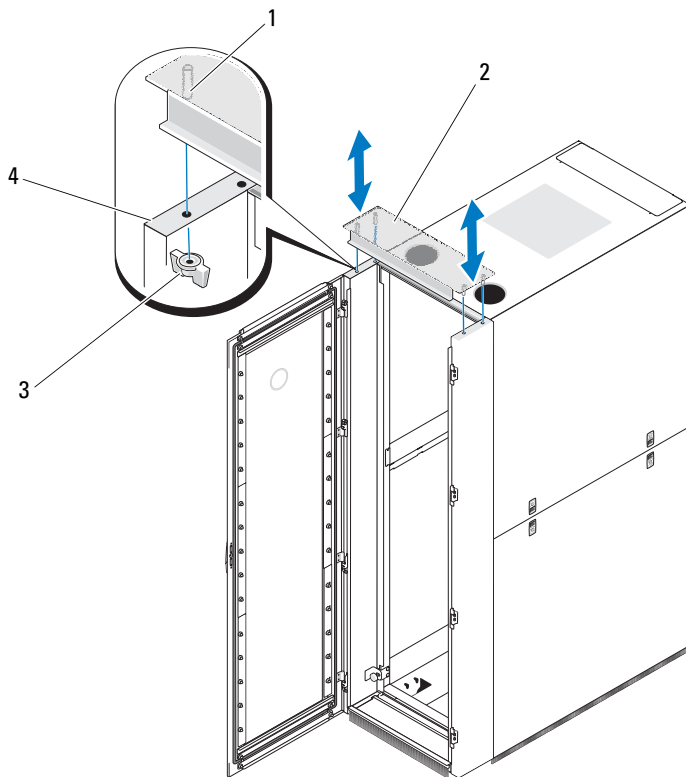
 **メモ：**エクステンションサービスカバーをラックの外にケーブルを配線するための配線出口として使用しないでください。

 **メモ：**エクステンションサービスカバーを取り外すと、ラックユニットの上部スペースに装置を取り付ける作業や、取り付けてある装置の保守作業が容易になります。

エクステンションサービスカバーの取り外し

- 1 エクステンション内部の上面にある4つの蝶ナットを緩めて外します。図7を参照してください。
- 2 スタッドが穴から外れるまで、エクステンションサービスカバーを持ち上げます。
- 3 エクステンションサービスカバーを取り外します。

図7. エクステンションサービスカバーの取り外しと取り付け



1 スタッド (4)

2 エクステンションサービスカ
バー


3 蝶ナット (4)

4 エクステンション

エクステンションサービスカバーの取り付け

- 1 スタッドをエクステンションの穴に合わせ、エクステンションサービスカバーをラックの上部に下ろします。図 7 を参照してください。
- 2 4 つの蝶ナットを取り付けます。

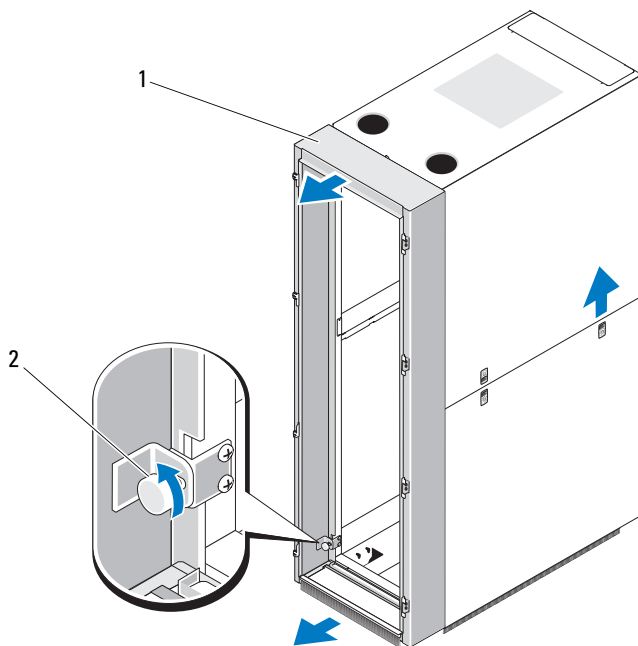
エクステンションの取り外しと取り付け

 **警告：**エクステンションの取り外しおよび取り付けは、1 人では行わないでください。エクステンションのサイズと重量を考慮すると、この手順は 2 人以上で行う必要があります。

エクステンションの取り外し

- 1 前面扉を取り外します。145 ページの「前面扉の取り外し」を参照してください。
- 2 エクステンションサービスカバーが取り付けられていることを確認します。図 8 を参照してください。
- 3 エクステンションをラックに固定している 4 つの蝶ネジを外します。
- 4 エクステンションを持ち上げ、ラックから引き出します。図 8 を参照してください。

図 8. エクステンションの取り外しと取り付け



1 エクステンションサービスカ
バー

2 蝶ネジ (4)

エクステンションの取り付け

エクステンションを取り付ける場合は、取り外しの手順を逆の順序で行います。

前面扉の反転（オプション）

前面扉が開く方向を替えるには、次の手順を実行します。

- 1 前面扉を取り外します。145 ページの「前面扉の取り外し」を参照してください。
- 2 T30 トルクスドライバと 10 mm レンチを使用して、ヒンジをエクステンションに固定しているネジを外します。図 9 を参照してください。

上部の 2 つのヒンジには数字の 1、下部の 2 つのヒンジには数字の 2 が刻印されています。



メモ：数字の 1 は上下が逆さまに、数字の 2 は上下が正しい向きになっています。

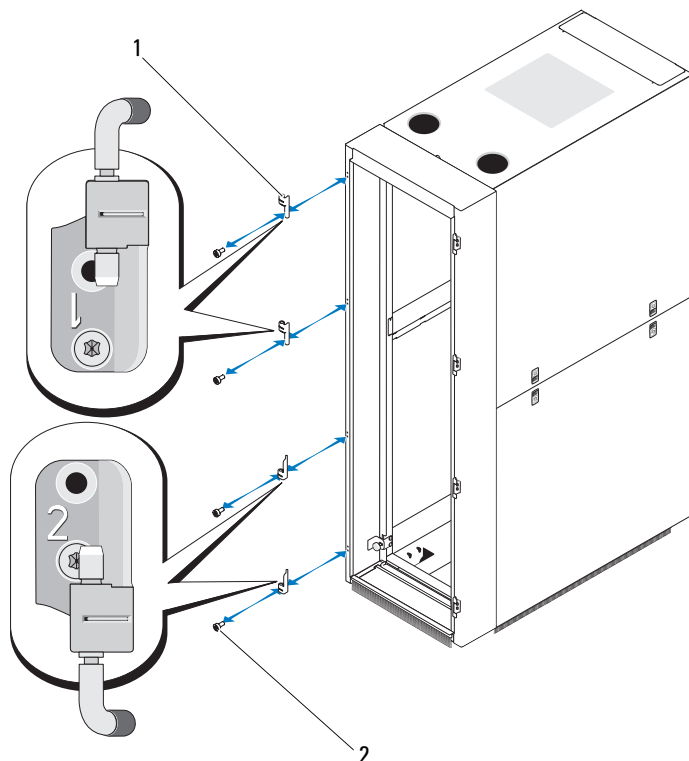


メモ：ネジを外す際に、外れたナットをエクステンションの内側から回収してください。



メモ：各ヒンジは 1 本だけのネジでエクステンションに固定されており、ネジはすべて下部のヒンジ穴に取り付けられています。


図 9. ヒンジの取り外し



1 ヒンジ (4)

2 ネジとナット (各4)

- 3 T30 トルクスドライバと 10 mm レンチを使用して、キャッチをエクステンションに固定しているネジを外します。図 10 を参照してください。

 **メモ**：ネジを外す際に、外れたナットをエクステンションの内側から回収してください。


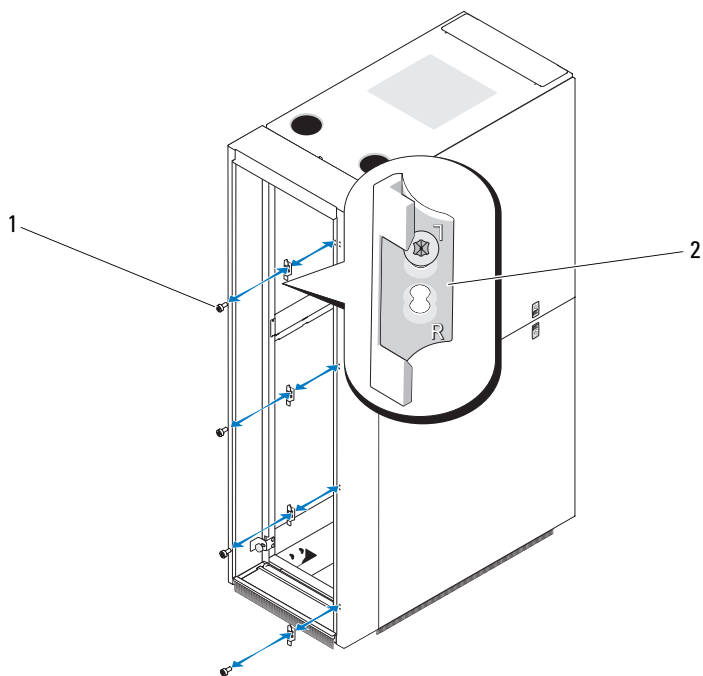
 **メモ**：キャッチには一方の端に L の文字が、もう一方の端に R の文字が刻印されています。どのキャッチも、取り付けられているネジの穴が一番上にくるような向きになっています。キャッチのネジは、L の文字に最も近い穴に取り付けられています。

図 10. キャッチの取り外し



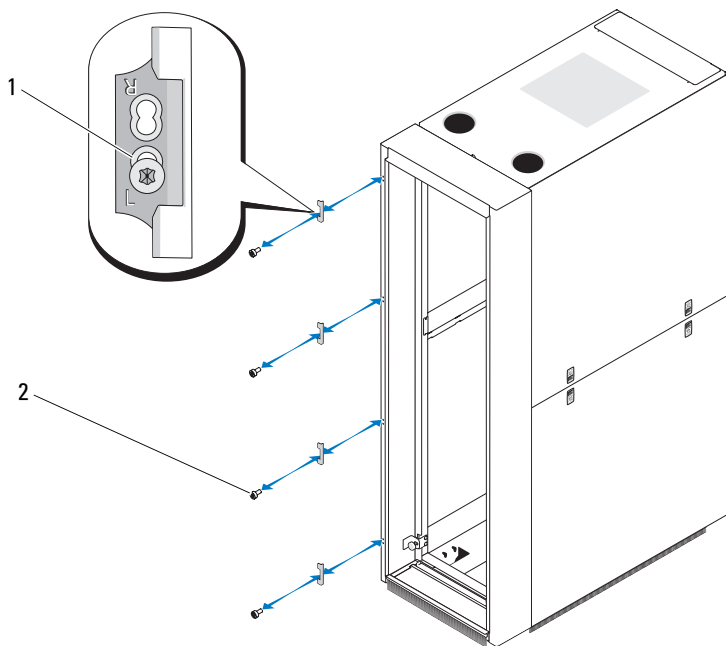
1 ネジとナット (各4)

2 キャッチ (4)

- 4 キャッチを上下逆にし、ネジとナットを使用してエクステンションの反対側に固定します。図 11 を参照してください。

メモ：どのキャッチも、取り付けられているネジの穴が一番下にくるような向きにしてください。各キャッチのネジは、Lの文字に最も近い穴に取り付けられています。

図 11. キャッチの取り付け




1 キャッチ (4)

2 ネジとナット (各4)

- 5 ヒンジを上下逆にし、ネジとナットを使用してエクステンションの反対側に固定します。図 12 を参照してください。

上部の 2 つのヒンジには数字の 1、下部の 2 つのヒンジには数字の 2 が刻印されています。

 **メモ**：数字の 1 は上下が正しい向きに、数字の 2 は上下が逆さまになっています。


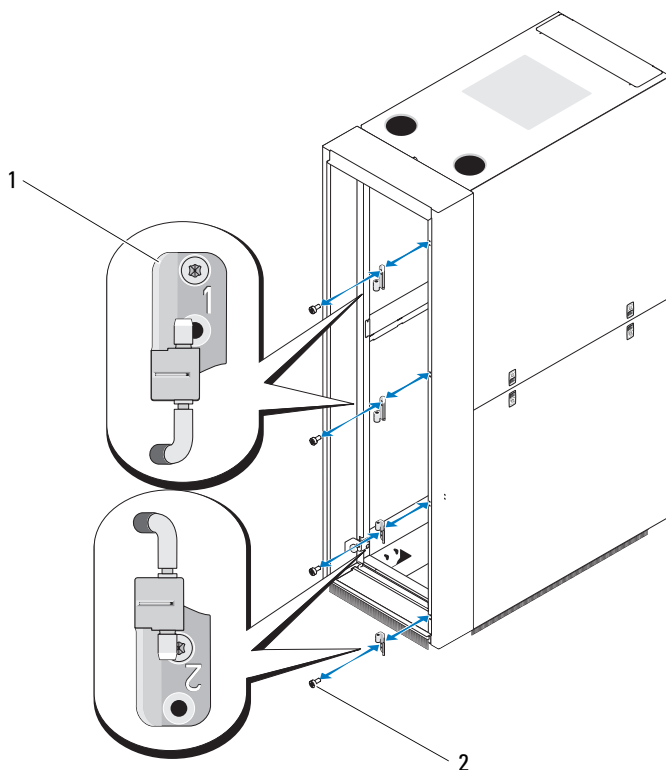
 **メモ**：各ヒンジは 1 本だけのネジでエクステンションに固定されており、ネジはすべて上部のヒンジ穴に取り付けられています。

図 12. ヒンジの取り付け




1 ヒンジ (4)

2 ネジとナット (各 4)


6 ウィンドウを上下逆にします。

a 扉を床に置きます。

b 10 mm レンチを使用して、ウィンドウを前面扉に固定しているナットをすべて外します。図 13 を参照してください。

 **メモ：**ウィンドウと Dell バッジに傷が付くことを防ぐために、扉を整頓された平らな場所に置くことをお勧めします。

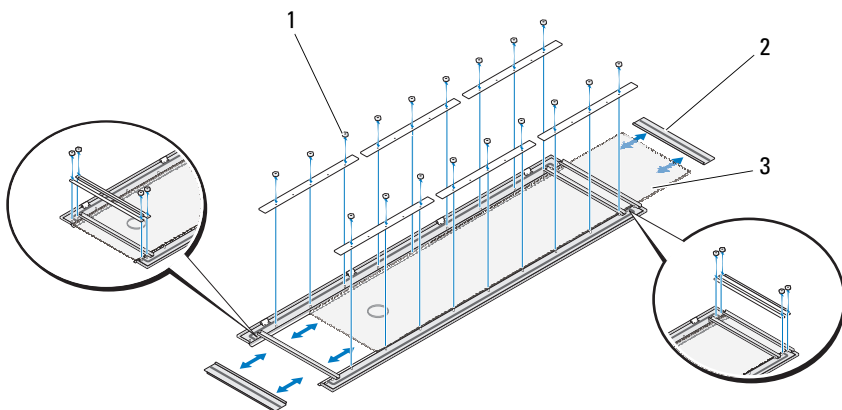
c 上下のエンドキャップを外し、ウィンドウを扉の上端または下端から引き出します。図 13 を参照してください。

 **メモ：**ウィンドウを取り付ける際に、Dell バッジが扉上のハンドルと同じ側にくるように表裏に注意してください。

d ウィンドウを上下逆にし、バッジが扉の反対側にくるように扉に挿入します。

e 上下のエンドキャップを取り付け、ウィンドウを前面扉に固定するナットをすべて取り付けます。図 13 を参照してください。

図 13. 前面扉ウィンドウの上下反転



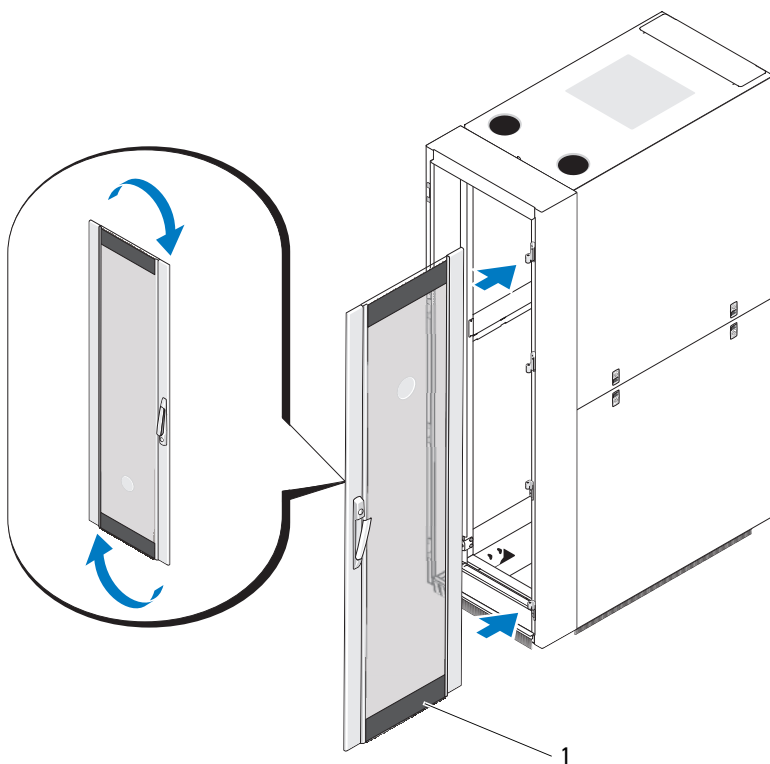
1 ナット

2 エンドキャップ (2)

3 ウィンドウ

- 7 ヒンジピンのピン受けが扉の右側に、ラッチが左側にくるように前面扉を取り付けます。図 14 を参照してください。

図 14. 前面扉の取り付け

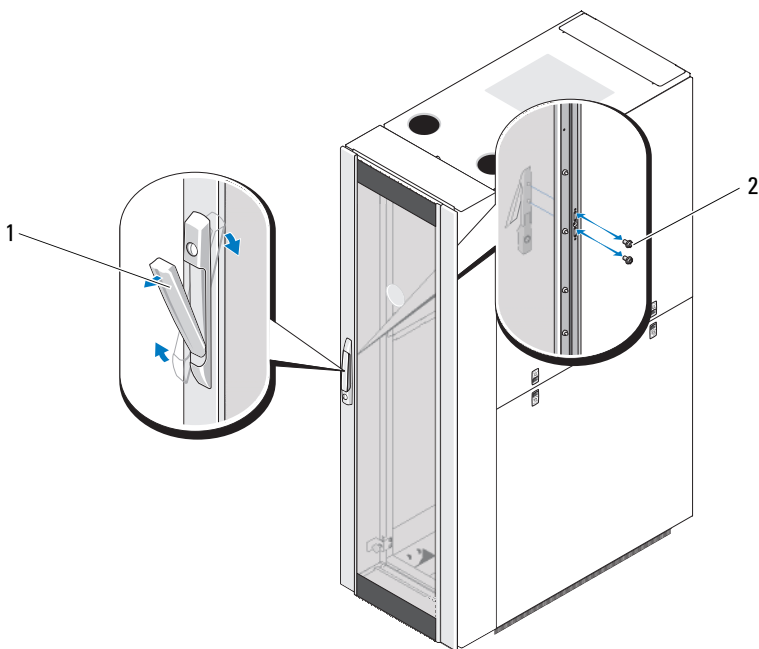


1 前面扉

8 ハンドルを上下逆にします。

- a ハンドルを開き、2本のネジがアクセス可能なことを確認します。
- b テープまたはマーキング装置を使用して、内側のドアトリムを基準に連結位置にしるしを付けます。図 15 を参照してください。
- c T20 トルクドライバーを使用して、ハンドルを固定している2本のネジを外します。図 15 を参照してください。
- d ハンドルを上下逆にします。図 15 を参照してください。


図 15. 前面扉ハンドルの上下反転




1 ハンドル

2 ネジ (2)


- e ハンドルを開き、連結マークを合わせた状態で、ハンドルの穴を合わせてネジを取り付けます。図 15 を参照してください。


 **メモ**：連結位置のしるしにテープを使用した場合は、テープを剥がします。


ラック水平調節用の脚の固定


 **警告：**水平調節用の脚を調節する前に、以下の注意事項を必ずお読みください。


- Energy Smart ラックは、有孔タイルの上に設置する必要があります。
- ラックには 4 本の水平調節用の脚が設置されています。脚はラックフレームの各コーナーに取り付けられています。
- 水平調節用の脚は、若干傾斜している床面にラックを設置するときに、ラックを水平に保つために使用します。
- ラックにシステムを取り付ける前に、水平調節用の脚を調節してください。
- ラックを正しく設置し、有孔タイルを敷いた場所を囲むようにブラシを取り付けた後に、水平調節用の脚を調節します。


 **警告：**水平調節用の脚を調節するときは、各コーナーのキャスターが床面から 5.0 mm 以上離れないようにしてください。調節時にキャスターと床面が 5.0 mm 以上離れてしまったら、脚をゆっくりと収納し、許容範囲内で水平に保てる場所にラックを移動してください。

 **警告：**各コーナーの水平調節用の脚が床面にしっかりと接地するように調節してください。水平調節用の脚を確実に接地させることで、ラックの全重量をそれぞれの脚で分散して支えられるようになり、ラックの傾きを防ぐことができます。すべての水平調節用の脚を床面にしっかりと接地させないと、ラックが不安定になり、転倒する場合があります。

 **警告：**水平調節用の脚が接地している状態でラックを移動しないでください。ラックを移動するときは、水平調節用の脚を必ず収納してください。ラックを移動するときに水平調節用の脚が伸びていると、ラックが転倒するおそれがあります。

 **警告：**システムを取り付ける前に、必ずラックの水平調節を行い、スタビライザを取り付けてください。水平でない床面にラックを設置する場合、水平調節用の脚とスタビライザがラックの全重量を支えていないと、ラックに機器をフル装備したときにラックが転倒するおそれがあります。

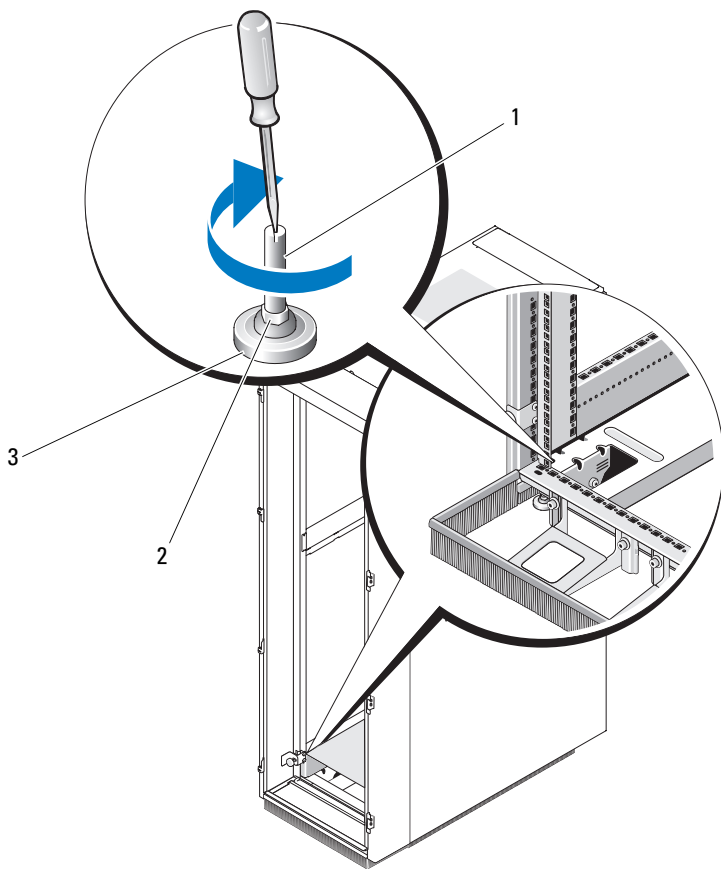
 **メモ：**ラックが正しく水平に保たれていないと、ラックの転倒防止に必要なスタビライザを取り付けられない場合があります。

 **メモ：**冷却効率を保つために、すべてのブラシが取り付けられていることを確認してください。

- 1 ドライバを使って水平調節用の脚を伸ばし、床面に接地させます。
- 2 脚をさらに伸ばすには、12 mm レンチを使用して六角ナットを右回りに締めます。図 16 を参照してください。

- 3 残りの水平調節用の脚に対して手順 1 と手順 2 を繰り返します。
- 4 ラックが水平になっていることを確認します。


図 16. 水平調節用の脚の調節



- 1 水平調節用の脚のステム
- 3 水平調節パッド

- 2 六角ナット

ラックスタビライザの取り付け


 **警告：**ラック前面および横のスタビライザを取り付けずにラックにシステムを取り付けると、ラックが転倒し、けがをするおそれがあります。そのため、必ずスタビライザを取り付けてから、ラックにコンポーネントを取り付けるようにしてください。

ラックにスタビライザを取り付けるには、次の手順に従います。

- 1 スタンドアロンのラックの場合は、前面および側面スタビライザを取り付けます。
- 2 連結したラックの場合は、すべてのラックに前面スタビライザを、両端のラックの側面にスタビライザを取り付けます。

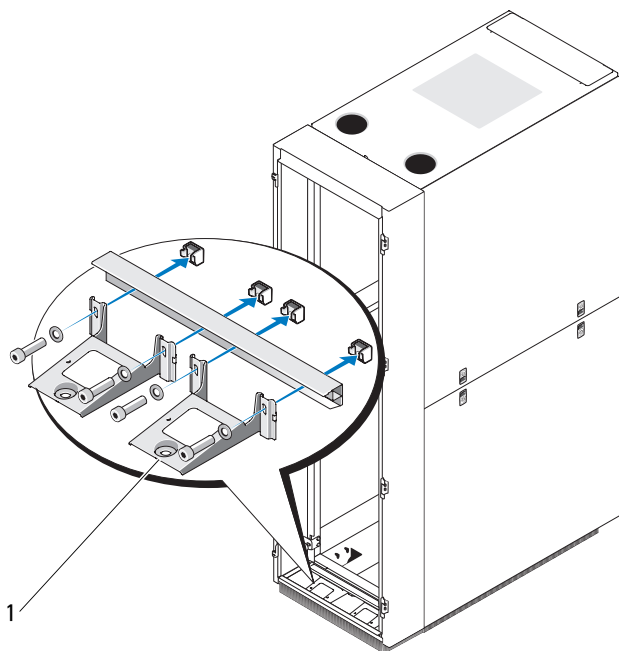
前面スタビライザの取り付け

- 1 前面扉を開きます。

 **メモ：**スタビライザは、ラックエンクロージャに同梱のアクセサリボックスに入っています。

- 2 ラックフレームの底部に各前面スタビライザを合わせ、フレームの対応する穴とスタビライザの穴を揃えます。
- 3 6 mm アレンレンチを使用して、ラックの各脚をボルト、ワッシャー、ケージナットで固定します。図 17 を参照してください。

図 17. 前面スタビライザの取り付け



- 1 前面スタビライザ (2)

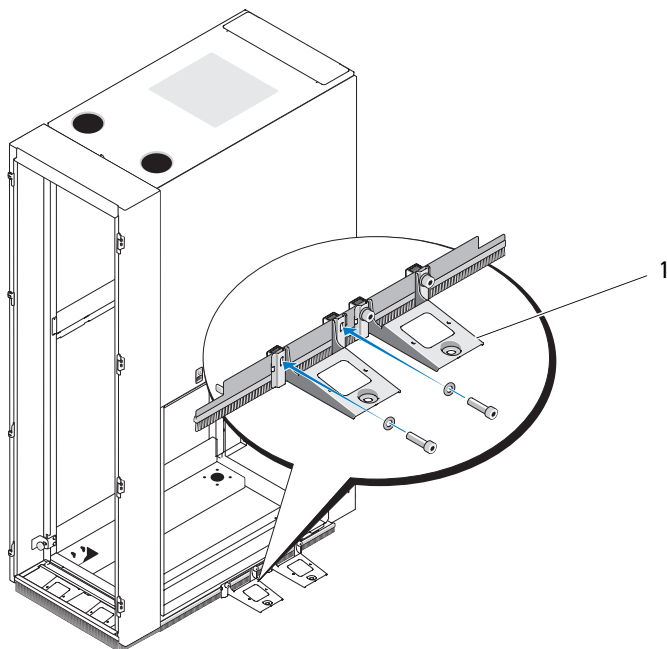
側面スタビライザの取り付け

メモ：冷却効率を保つために、すべてのブラシが取り付けられていることを確認してください。

- 1 下部サイドパネルを取り外します。150 ページの「下部サイドパネルの取り外し」を参照してください。
- 2 ラックフレームの下部レールの側面で、サイドブラシをラックに固定している 4 本のボルトの位置を確認します。図 18 を参照してください。
- 3 6 mm アレンレンチを使用して、1 つのみのスタビライザのボルトとワッシャーを外します。
- 4 スタビライザの穴をブラシブラケットの穴に合わせ、ボルトとワッシャーを取り付けます。

- 手順 3 と手順 4 を繰り返して、2 つ目のスタビライザを同じ側に取り付けます。
- 手順全体を繰り返して、ラックエンクロージャの反対側にスタビライザを取り付けます。図 18 を参照してください。
- 下部サイドパネルを取り付けます。151 ページの「下部サイドパネルの取り付け」を参照してください。

図 18. 側面スタビライザの取り付け



- 1 側面スタビライザ（左右に各2）

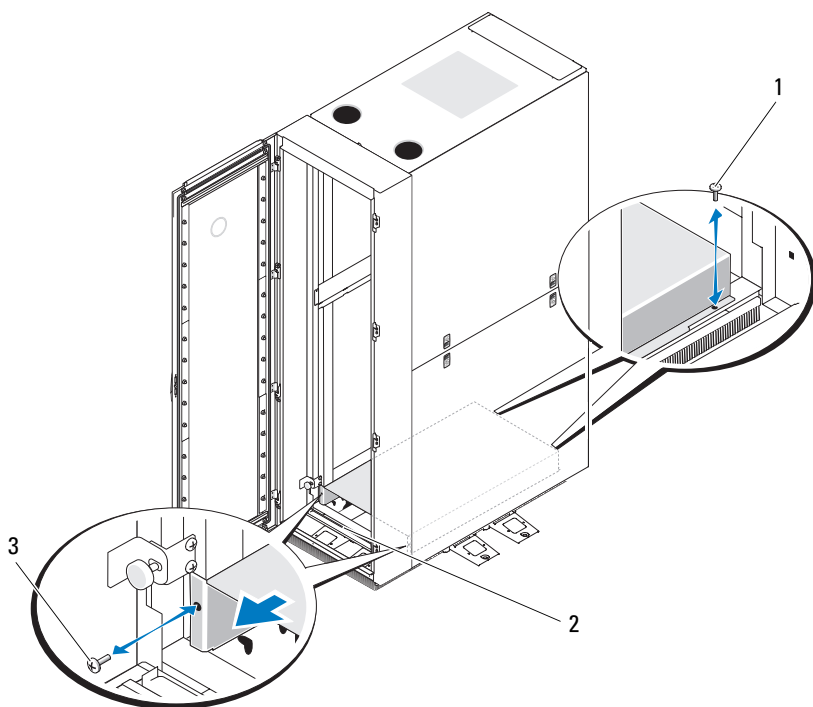
背面ラックポストの調整 (オプション)

メモ: ラックエンクロージャの前面ラックポストは動かさないでください。

奥行きの異なるシステムを取り付けることができるように、ラックポストの位置は調整が可能です。

- 1 ラックの扉を開きます。
- 2 ラックからエアーチャネルを取り外すには、#2 プラスドライバを使用して、前面フランジから 2 本のネジ (片側 1 本ずつ)、およびラックの背面から 2 本のネジを外します。図 19 を参照してください。
- 3 ラックポストの底部のネジにアクセスするために、エアーチャネルを前方に押すか、ラックエンクロージャから取り外します。図 19 を参照してください。

図 19. エアーチャネルの取り外し



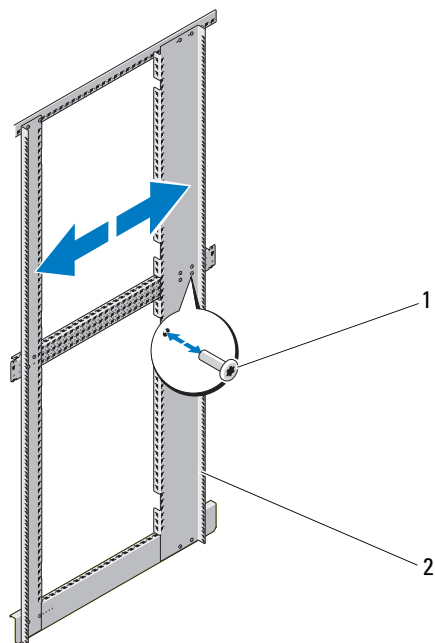
1 背面のネジ (2)

2 エアーチャネル

3 前面のネジ (2)

- 4 ポストの上・中・下段からネジを外します。図 20 を参照してください。
- 5 ポストをラック側面の内側の適切な位置に移動し、対応する穴にネジを取り付けます。


図 20. 背面ラックポストの調整




1 ネジ

2 背面ラックポスト

- 6 エアーチャネルの取り外しの手順を逆の順序で行い、エアーチャネルを取り付けます。

 **メモ**：エアーチャネルは常にラックの底部（1U および 2U）に取り付けておいてください。ラック内の別の位置に移動しないでください。

 **メモ**：ラックを 2 台以上連結する必要がない場合は、この時点でラックにシステムを取り付けることができます。ラックにコンポーネントを取り付けるときは、ラック取り付け用レールの前部と後部にある白い番号付きのラベルを参照してください。

ケーブルの配線

ラックには、ケーブルの配線を容易にするいくつかの機能があります。

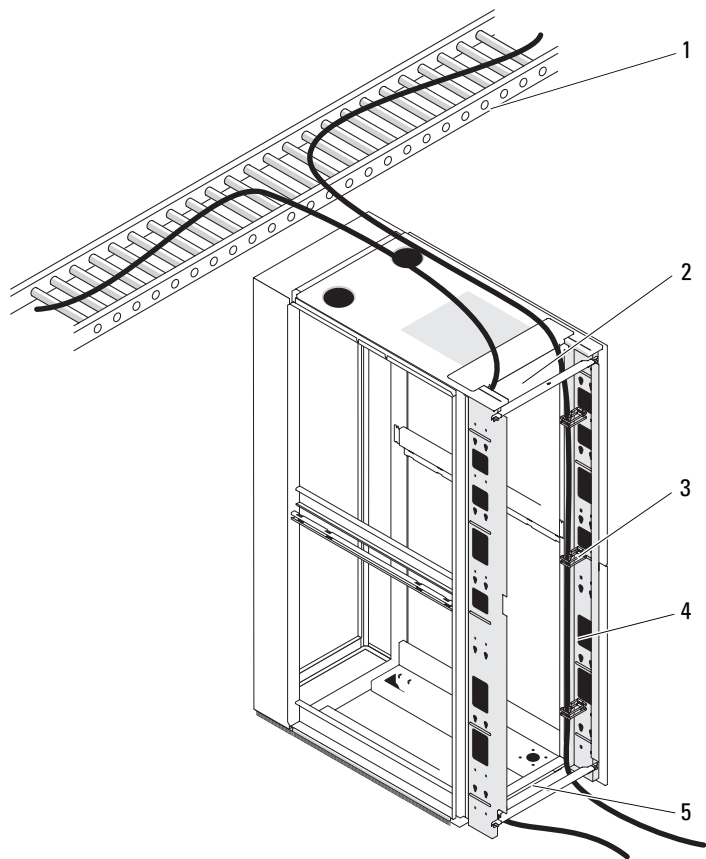
図 21 を参照してください。

- 各ラックのフランジにある配電装置（PDU）のチャンネルにより、電源ケーブルをラックに取り付けたシステムまで配線することができます。
- PDU チャンネルにケーブルクリップを取り付けてケーブルをまとめ、ケーブルの絡みを防ぐことができます。

標準構成では、ケーブルは次の 2 つの方法でラックから引き出すことができます。

- 背面扉底部のケーブル出口から。図 21 を参照してください。
- ラック上部の調節可能なケーブルスロットからケーブル配線路へ。図 21 を参照してください。

図 21. ケーブル配線のオプション



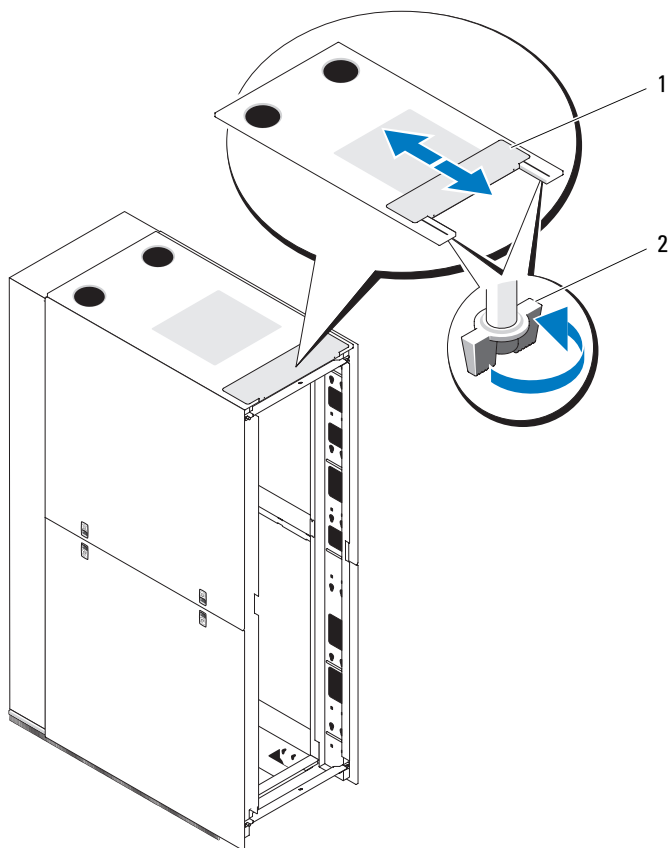
- | | | | |
|---|-----------|---|--------------------|
| 1 | ケーブル配線路 | 2 | 上部ケーブルスロット |
| 3 | ケーブルクリップ | 4 | PDU チャンネル (左右に各 2) |
| 5 | 底部のケーブル出口 | | |

上部ケーブルスロットの開閉

ラックの上部ケーブルスロットは、ケーブル配線路までケーブルを配線するために使用します。

- 1 背面扉を開きます。
- 2 ケーブルスロットカバーの下にある蝶ナットを緩めます。図 22 を参照してください。
- 3 ケーブルスロットカバーをラックの前方に引きます。
- 4 ケーブルをラック上部に通します。
- 5 スロットカバーをラックの背面方向に引いて、ケーブルスロットの隙間を閉じます。
- 6 蝶ナットを使用してカバーを固定します。

図 22. 上部ケーブルスロットの開閉



1 ケーブルスロットカバー

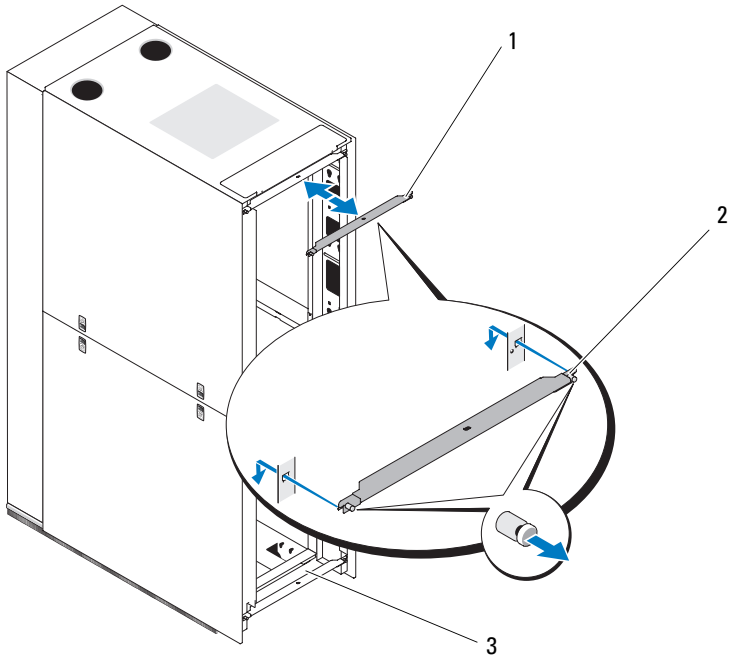
2 蝶ナット (2)

背面扉のスタビライザバーの取り外しと取り付け

ラックの上から下までの配線作業を容易にするために、背面扉の安定のために取り付けられている上下のバーを取り外すことができます。

- 1 背面扉を開きます。
- 2 バーの両側にある各プランジャを引いた状態で、バーを引き上げてラックから取り外します。図 23 を参照してください。
- 3 バーのタブをラックの対応する穴に合わせて、ケーブルを配線し、バーを取り付けます。
- 4 プランジャを固定されるまで押し込みます。

図 23. 背面扉のスタビライザバーの取り外しと取り付け



- 1 背面扉のスタビライザバー (上)
- 2 プランジャ (各バーに2)
- 3 背面扉のスタビライザバー (下)

2台のラックの連結

⚠ 警告：ラック扉の取り外しおよび取り付けは、1人では行わないください。ラックキャビネットの扉のサイズと重量を考慮すると、この手順は2人以上で行う必要があります。

⚠ 警告：連結キットを所定の位置に取り付けた後で、スタビライザをラックの前面と外側の左右に取り付ける必要があります。

- 1 両方のラックの梱包を開いて組み立てます。
- 2 連結キットを開梱します。図 24 を参照してください。
ラック連結キットには次の部品が入っています。
 - ガスケットテープ 1 本
 - 連結ブラケット 4 個

図 24. ラック連結キット



1 ガスケットテープ

2 連結ブラケット (4)

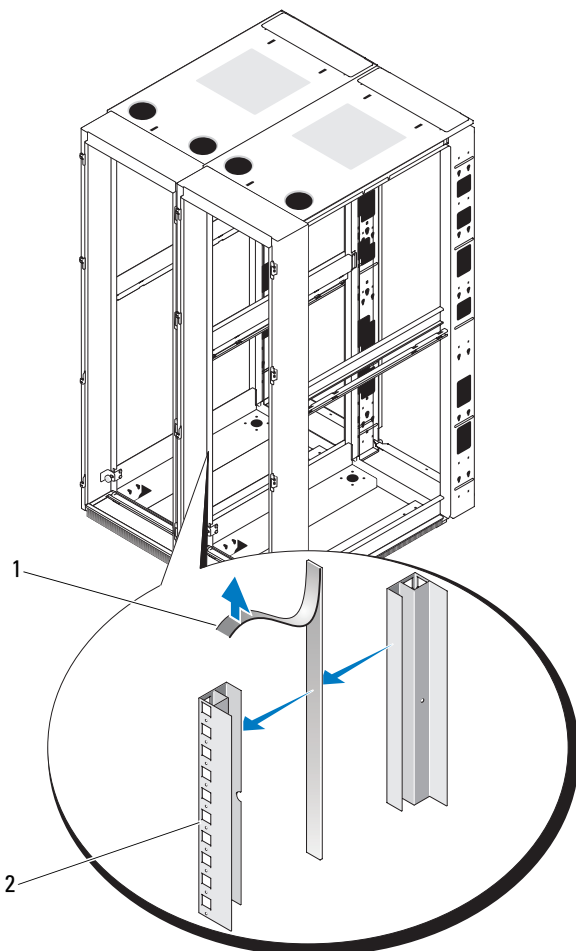
⚠ 警告：付属のブラシはすべて取り付けます。ブラシの剛毛が床と接触し、ラックエンクロージャの底部周囲を密閉している必要があります。ブラシを取り外すと、エンクロージャ内の冷却効率が低下する可能性があります。

- 3 両方のラックから扉とサイドパネルを取り外します。146 ページの「前面扉の取り外し」、147 ページの「背面扉の取り外し」、および 149 ページの「サイドパネルの取り外しと取り付け」を参照してください。
- 4 ガスケットテープを適当な長さにカットし、裏側の保護紙をはがして、片方のラックに貼り付けます。ガスケットテープは、隣接するラックと接触するフレームの表面に貼り付ける必要があります。図 25 を参照してください。

📌 メモ：ガスケットテープをエクステンションに貼り付けないように注意してください。

📌 メモ：ガスケットテープはラックに傷がつくことを防止するのが目的なので、どちらのラックに貼付してもかまいません。

図 25. ガスケットテープの貼り付け

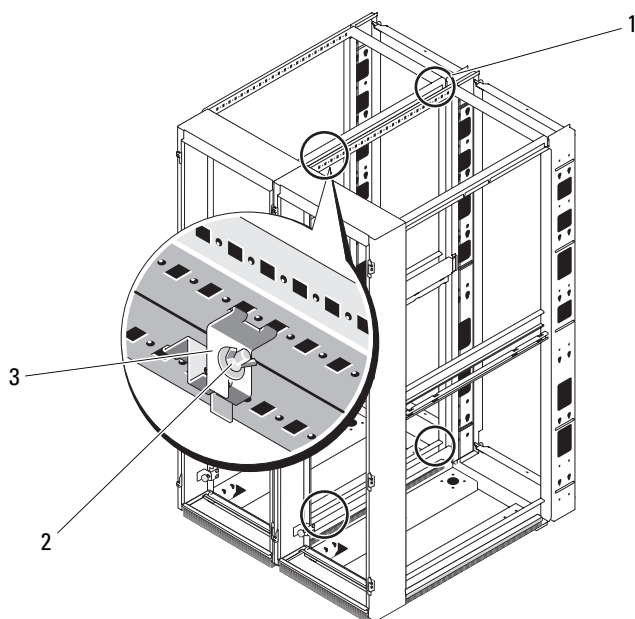


1 ガスケットテープ

2 ラックフレーム

- 5 連結ブラケットを取り付けます。
 - a 2つのラックを隣り合わせに並べます。
 - b これらのラックが同一水平面上で互いに平行な位置にくるように、両方のラックの水平調節用の脚を調整します。詳細については、167ページの「水平調節用の脚の調節」を参照してください。
 - c ブラケットをラックポストの内側の角穴および隣接するラックポストの角穴に挿入し、蝶ナットで締めます。図 26 を参照してください。
- 6 前面スタビライザを取り付けます。168ページの「前面スタビライザの取り付け」を参照してください。
- 7 両方のラックに扉と外側のサイドパネルを取り付けます。146ページの「前面扉の取り外し」、147ページの「背面扉の取り外し」、および149ページの「サイドパネルの取り外しと取り付け」を参照してください。

図 26. 2台のラックの連結



- | | |
|---------------|--------|
| 1 連結ブラケットの位置 | 2 蝶ナット |
| 3 連結ブラケット (4) | |

Alojamiento para rack Dell
Energy Smart
Guía de instalación



Notas, precauciones y avisos



NOTA: una NOTA proporciona información importante que le ayudará a utilizar mejor el equipo.



PRECAUCIÓN: un mensaje de PRECAUCIÓN indica la posibilidad de daños en el hardware o la pérdida de datos si no se siguen las instrucciones.



AVISO: un mensaje de AVISO indica la posibilidad de que se produzcan daños materiales, lesiones personales e incluso la muerte.

La información contenida en esta publicación puede modificarse sin previo aviso.

© 2011 Dell Inc. Todos los derechos reservados.

Queda estrictamente prohibida la reproducción de este material en cualquier forma sin la autorización por escrito de Dell Inc.

Las marcas comerciales que se utilizan en este texto: Dell™, el logotipo de DELL y PowerEdge™ son marcas comerciales de Dell Inc.

Otras marcas y otros nombres comerciales pueden utilizarse en esta publicación para hacer referencia a las entidades que los poseen o a sus productos. Dell Inc. renuncia a cualquier interés sobre la propiedad de marcas y nombres comerciales que no sean los suyos.

Contenido

Instrucciones de seguridad	185
SEGURIDAD: Montaje de sistemas en rack	185
Instrucciones de instalación del rack	186
Especificaciones del rack	186
Antes de comenzar	187
Herramientas y material recomendados	188
Instalación de armarios rack	188
Apertura y cierre de la puerta frontal del rack	189
Extracción y colocación de las puertas del rack	189
Extracción y colocación de los paneles laterales	193
Instalación de las tiras de cepillo	197
Extracción y colocación de la cubierta de la extensión de servicio	199
Extracción y colocación de la extensión	201
Inversión de la puerta frontal (opcional)	202
Fijación de los pies niveladores del rack	210
Instalación de los pies estabilizadores del rack	212
Ajuste de los postes posteriores del rack (opcional)	215
Colocación de los cables	217
Acoplamiento de dos racks	223

Instrucciones de seguridad

Aplique las pautas de seguridad que se describen a continuación para garantizar su propia seguridad y proteger el sistema y el entorno de trabajo frente a posibles daños. Para obtener información completa sobre seguridad y normativas, consulte las instrucciones de seguridad que se entregan con el sistema. La información sobre la garantía puede estar incluida en este documento o en un documento aparte.

SEGURIDAD: Montaje de sistemas en rack

Tenga en cuenta las precauciones siguientes para garantizar la estabilidad y la seguridad del rack. Consulte también la documentación de instalación del rack incluida con el sistema y el rack para ver los procedimientos y la información de precaución.

Los sistemas se consideran componentes de un rack. *Componente* se refiere a cualquier sistema, así como a los distintos periféricos o hardware compatible.



PRECAUCIÓN: Instrucciones para sistemas montados en rack:

- El kit de rack se ha aprobado sólo para el armario rack suministrado. Es su responsabilidad asegurarse de que la instalación del equipo en cualquier otro rack cumpla todos los estándares correspondientes. Dell declina toda responsabilidad y garantías relacionadas con las combinaciones del equipo con cualquier otro rack.
- El alojamiento de rack está refrigerado por aire que pasa a través de las rejillas del suelo elevado. El alojamiento de rack debe colocarse sobre las rejillas del suelo antes de instalar en él los componentes.
- Antes de instalar equipos en un rack, asegúrese de que éste se encuentra debidamente fijado, como se indica en “Instalación de los pies estabilizadores del rack” en la página 212.
- Realice siempre la carga desde la parte inferior hacia arriba, colocando en primer lugar los elementos más pesados.
- No sobrecargue el circuito de la fuente de alimentación de CA que suministra energía al rack.
- No suba sobre ningún componente del rack ni lo utilice como escalón.

- El conducto de aire situado en la parte inferior del rack se utiliza para dirigir el aire frío desde el suelo hasta la parte frontal del alojamiento de rack. El conducto de aire debe permanecer *siempre* en la parte inferior del rack (en 1U y 2U) y no deben desplazarse a otra posición en el rack.
- No utilice el conducto de aire como escalón o como repisa para sostener otros componentes.



AVISO: Deben instalarse todas las tiras de cepillo suministrados y sus cerdas deben estar en contacto con el suelo para formar un aislamiento en el perímetro inferior del alojamiento de rack. Si se retiran las tiras de cepillo puede reducirse la eficiencia de la refrigeración del alojamiento.



AVISO: La cubierta de la extensión de servicio sólo debe retirarse al instalar o quitar componentes de las unidades de espacio superiores del rack y debe volver a colocarse inmediatamente. Los componentes del rack pueden sobrecalentarse si la cubierta de la extensión de servicio no se coloca en el alojamiento de rack.

Instrucciones de instalación del rack

Esta guía de instalación contiene instrucciones dirigidas a técnicos de servicio especializados que instalan un alojamiento de rack. Se incluye información sobre el montaje del rack, el acoplamiento de dos racks y la colocación de los cables a través del rack. El rack se puede instalar utilizando las herramientas recomendadas.






Antes de proceder a la instalación, lea atentamente todo este procedimiento.

Especificaciones del rack






NOTA: Este rack cumple las especificaciones de ANSI, EIA/CEA-310-E, IEC 60297-3-100 y DIN 41494.

Antes de comenzar

-  **AVISO:** Antes de empezar a instalar el rack, lea detenidamente la sección “Información de seguridad importante” en la página 187 y las instrucciones de seguridad que se entregan con el rack.
-  **AVISO:** Cuando instale varios sistemas en un rack, complete todos los procedimientos para un determinado sistema antes de instalar el siguiente.
-  **AVISO:** Los armarios rack pueden ser muy pesados, pero se mueven con facilidad gracias a las ruedas. El armario no tiene frenos. Tenga mucho cuidado al mover el armario rack. Cuando traslade el armario rack, contraiga primero los pies niveladores. Evite inclinaciones largas o pronunciadas, superficies irregulares o rampas para evitar perder el control del armario. Extienda los pies niveladores como apoyo y para evitar que el armario se desplace.
-  **AVISO:** Evite desplazar el armario rack sobre superficies irregulares. Las ruedas pueden romperse si reciben golpes fuertes, lo cual puede desestabilizar el rack y hacerlo volcar.
-  **AVISO:** No intente mover el rack con componentes instalados. Si mueve un rack cargado por completo sobre una superficie ligeramente irregular, el rack puede desestabilizarse y volcar.

Información de seguridad importante

Cuando instale el sistema en el rack, tenga en cuenta las precauciones de seguridad que se indican en los apartados siguientes.

-  **AVISO:** Debe seguir estrictamente los procedimientos que se explican en este documento para protegerse a sí mismo y a otras personas que puedan verse involucradas. El sistema puede tener un tamaño y un peso considerables, por lo que la preparación y la planificación adecuadas son importantes para evitar daños personales a uno mismo y a terceros. Esto es aún más importante cuando los sistemas se montan en la parte superior del rack. Verifique también que la rejilla y la subestructura del suelo tienen una designación indicada para soportar el peso del alojamiento de rack con todos los componentes instalados.
-  **AVISO:** Antes de instalar sistemas en un rack, instale los estabilizadores frontales y laterales en racks individuales, o bien el estabilizador frontal en racks unidos a otros racks. Si no se instalan los estabilizadores antes de realizar el montaje de los sistemas, el rack podría volcar y llegar a causar daños personales en determinadas circunstancias.
-  **AVISO:** Una vez que haya instalado sistemas en un rack, no extraiga nunca del rack más de un sistema a la vez por sus conjuntos deslizantes. El peso de más de un sistema extraído podría hacer volcar el rack y provocar daños personales.

Herramientas y material recomendados

Puede necesitar las herramientas y el material siguientes para instalar el rack:

- Destornillador en cruz Phillips del nº 2
- Destornillador de cabeza plana
- Llave de 12 mm
- Llave de 10 mm (para invertir la puerta frontal)
- Destornillador Torx T20 (para invertir la puerta frontal)
- Destornillador Torx T30 (para invertir la puerta frontal)
- Llaves para las puertas del rack y los paneles laterales
- Llave Allen de 6 mm
- Llave inglesa (para extraer el rack del palé)

Instalación de armarios rack

La instalación de un armario rack puede implicar lo siguiente:

- 1 Apertura y cierre de la puerta frontal del rack
- 2 Extracción y colocación de las puertas del rack
- 3 Extracción y colocación de los paneles laterales
- 4 Instalación de las tiras de cepillo
- 5 Extracción y colocación de la cubierta de la extensión de servicio
- 6 Extracción y colocación de la extensión
- 7 Inversión de la puerta frontal
- 8 Fijación de los pies niveladores del rack
- 9 Instalación de los pies estabilizadores del rack
- 10 Ajuste de los postes posteriores del rack
- 11 Cableado
- 12 Acoplamiento de dos racks

Apertura y cierre de la puerta frontal del rack

Para abrir la puerta frontal del rack:

- 1 Presione hacia dentro el bombín de la cerradura donde se introduce la llave. Vea la ilustración 1.
- 2 Una vez liberado el tirador, tire de él hacia arriba para desacoplar la puerta de los enganches. Vea la ilustración 1.
- 3 Abra la puerta frontal completamente. Vea la ilustración 1.

Para cerrar la puerta:

- 1 Empuje el marco de la puerta uniformemente contra el marco de la extensión y asegúrese de que la puerta está en contacto con éste.
- 2 Empuje el tirador hacia abajo para fijar la puerta.

Extracción y colocación de las puertas del rack



AVISO: No intente nunca extraer o instalar las puertas de los armarios rack sin la ayuda de otra persona. Este procedimiento requiere al menos dos personas debido al tamaño y al peso de las puertas del armario rack.

Extracción de la puerta frontal

- 1 Abra la puerta del rack. Consulte el apartado “Apertura y cierre de la puerta frontal del rack” en la página 189.
- 2 Extraiga los pasadores de las bisagras mientras sujeta la puerta, comenzando desde la parte inferior del rack. Asegúrese de que el pasador de la bisagra superior es el último que se extrae de la puerta.

Para extraer el pasador de la bisagra:

- a Tire del pasador de la bisagra hasta retirarlo del alojamiento en la puerta. En el caso de los pasadores de las bisagras inferiores de la puerta, tire de ambos hacia abajo. En el caso de los pasadores de las bisagras superiores de la puerta, tire de ambos hacia arriba. Vea la ilustración 1.

El clip de retención del pasador evita que la bisagra se extraiga completamente del cuerpo de la bisagra.

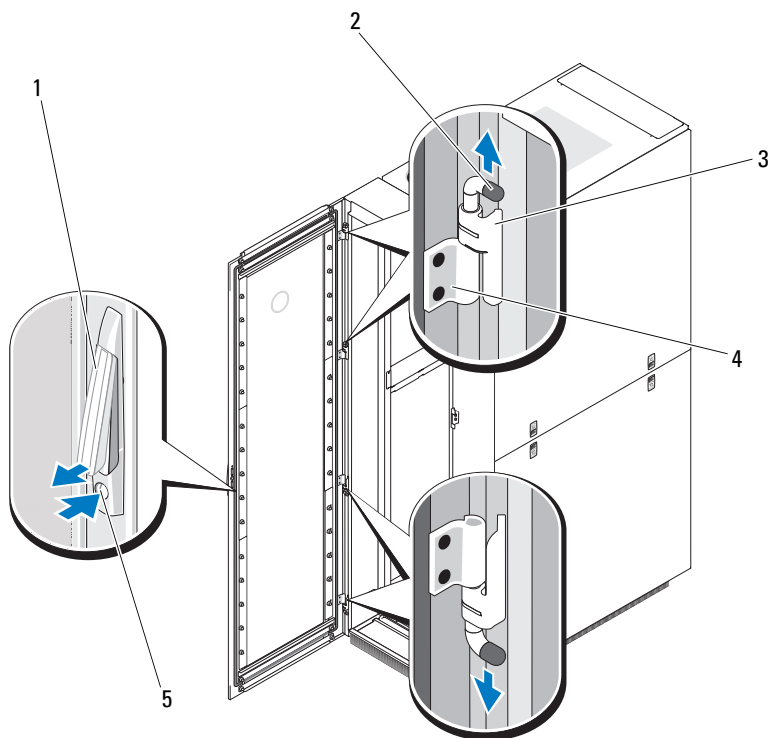
- b Tire ligeramente de la puerta para alejarla del rack, de modo la puerta de modo que la puerta salve el cuerpo de la bisagra.

⚠ AVISO: Al almacenar las puertas, colóquelas en posición horizontal de modo que no caigan y lesionen a alguien accidentalmente.

⚠ AVISO: Debido a su tamaño y peso, se recomienda colocar la puerta que ha extraído en posición horizontal con la superficie exterior boca arriba.

- 3 Coloque la puerta en un lugar seguro con la superficie exterior boca arriba para evitar que se produzcan daños en la placa de identificación y en el revestimiento decorativo.

Ilustración 1. Extracción de la puerta frontal



1 tirador

3 cuerpo de la bisagra

5 bombín de la cerradura

2 pasadores de la bisagra (4)

4 alojamiento del pasador de la bisagra (4)

Colocación de la puerta frontal

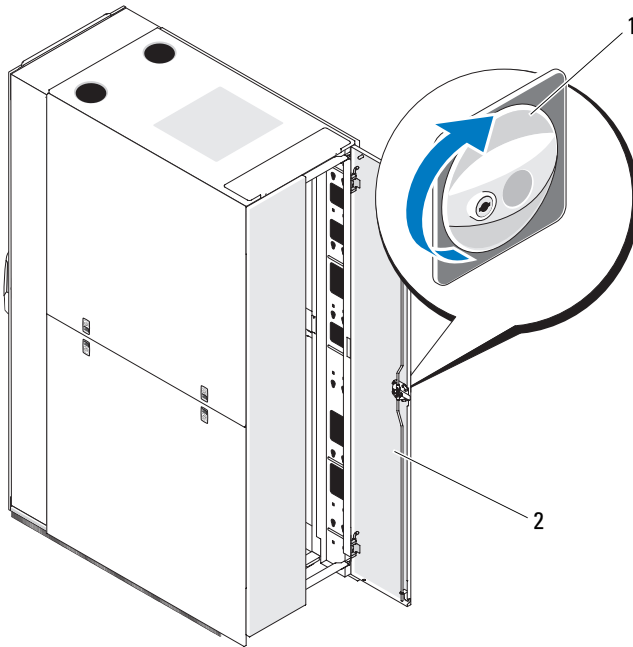
Para colocar la puerta frontal, realice los mismos pasos que para extraerla pero en orden inverso.

Extracción de las puertas posteriores

⚠ AVISO: No intente nunca extraer o instalar las puertas de los armarios rack sin la ayuda de otra persona. Este procedimiento requiere al menos dos personas debido al tamaño y al peso de las puertas del armario rack.

- 1 Gire el tirador de la puerta un cuarto de vuelta en el sentido de las agujas del reloj para abrir las puertas posteriores. Vea la ilustración 2.

Ilustración 2. Apertura de las puertas posteriores

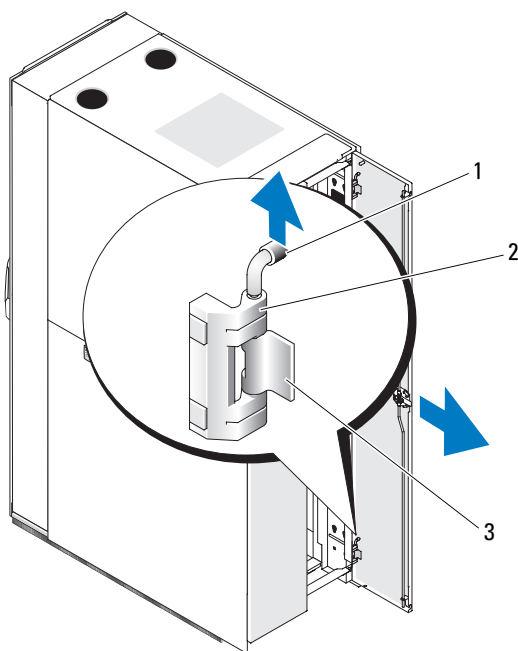


1 tirador de la puerta

2 puertas posteriores (2)

- 2** Extraiga la puerta posterior derecha.
- a** Mientras sujeta la puerta, tire del pasador de la bisagra superior para extraerlo de su alojamiento en la bisagra de la puerta. Vea la ilustración 3.
- Oirá un chasquido al extraer el pasador de su alojamiento en la puerta.
Los pasadores se han diseñado para evitar que se extraigan del cuerpo de la bisagra.
- b** Repita el paso a para la bisagra inferior.
 - c** Tire de la puerta para extraerla del rack.

Ilustración 3. Extracción de las puertas posteriores



- 1 pasador
- 2 cuerpo de la bisagra
- 3 alojamiento del pasador



AVISO: Debido a su tamaño y peso, se recomienda colocar la puerta que ha extraído en posición horizontal con la superficie exterior boca arriba.

d Coloque la puerta en un lugar seguro con la superficie exterior boca arriba.



NOTA: Coloque la puerta en posición horizontal con la superficie exterior boca arriba para evitar que se produzcan daños en el revestimiento decorativo.

3 Repita del paso a al paso d para la puerta posterior izquierda.

Colocación de las puertas posteriores

Para colocar las puerta posteriores, realice los mismos pasos que para extraerlas pero en orden inverso.

Extracción y colocación de los paneles laterales



NOTA: Extraiga los paneles laterales inferiores para instalar las tiras de cepillo y los pies estabilizadores laterales.



NOTA: Si bien no es obligatorio extraer los paneles laterales para instalar sistemas en un rack, el hecho de que los laterales estén abiertos facilita la instalación de conjuntos deslizantes y rieles de soporte, así como la inversión de la dirección de apertura de la puerta frontal.

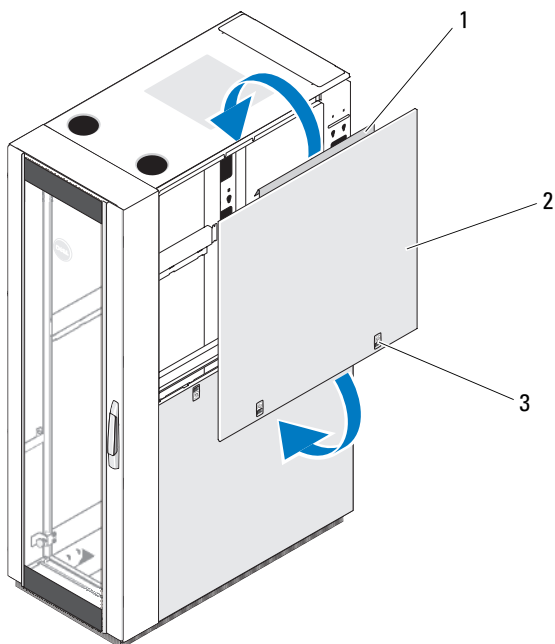
Extracción de los paneles laterales superiores

- 1** Tire de los dos pestillos hacia arriba y separe del rack el extremo inferior del panel. Vea la ilustración 4.
- 2** Sujete firmemente por ambos extremos del panel.
- 3** Levante el panel hasta que la pestaña salga de la parte superior del rack.
- 4** Coloque el panel en un lugar seguro con la superficie exterior boca arriba para evitar que se produzcan daños en el revestimiento decorativo.
- 5** Repita del paso 1 al paso 4 para el otro panel lateral superior.

Colocación de los paneles laterales superiores

- 1 Levante el panel lateral superior y colóquelo en el rack; para ello, enganche la pestaña del panel sobre la parte superior del rack. Vea la ilustración 4.
- 2 Mueva la parte inferior del panel hacia abajo para insertarla en el rack.
- 3 Presione el panel en el rack hasta que los dos pestillos encajen en su lugar.

Ilustración 4. Colocación de los paneles laterales superiores



- 1 pestaña del panel
3 pestillos (2)

- 2 panel lateral superior

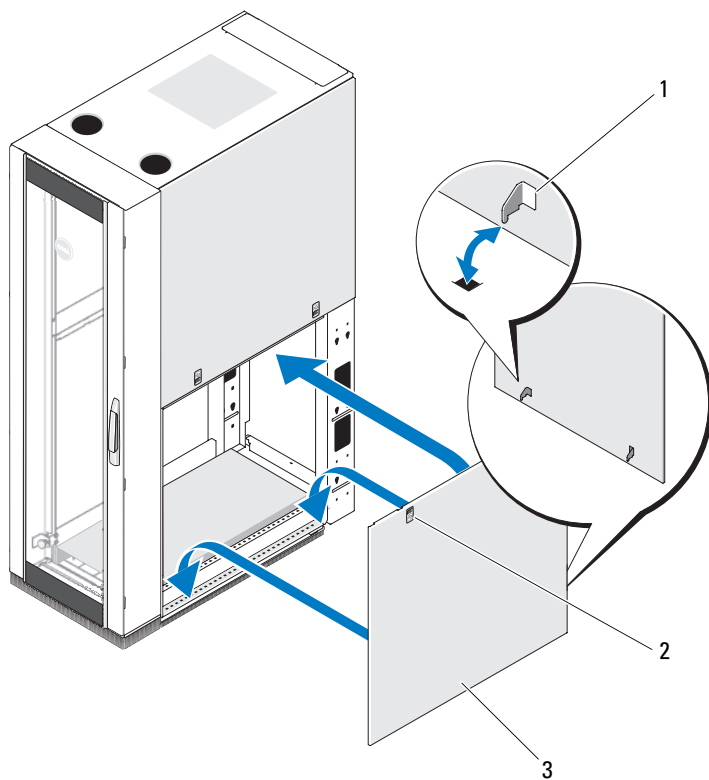
Extracción de los paneles laterales inferiores

- 1** Tire de los dos pestillos hacia abajo y deje que el panel lateral se separe ligeramente por la parte superior.
- 2** Sujete firmemente por ambos extremos del panel.
- 3** Levante el panel hasta que los ganchos salgan de los orificios situados en la parte inferior del armazón del rack.
- 4** Coloque el panel en un lugar seguro con la superficie exterior boca arriba para evitar que se produzcan daños en el revestimiento decorativo.
- 5** Repita del paso 1 al paso 4 para el otro panel lateral inferior.

Colocación de los paneles laterales inferiores

- 1** Coloque el panel en el rack; para ello, inserte el gancho del panel en el orificio posterior de la parte inferior del armazón del rack y el gancho frontal en el orificio correspondiente de la parte frontal del armazón del rack. Vea la ilustración 5.
- 2** Mueva el extremo superior del panel hacia el rack.
- 3** Presione el panel en el rack hasta que los dos pestillos encajen en su lugar.


Ilustración 5. Colocación de los paneles laterales inferiores



- 1 ganchos del panel (2)
- 3 panel lateral inferior

- 2 pestillos (2)

Instalación de las tiras de cepillo

 **AVISO: Deben instalarse todas las tiras de cepillo suministrados y sus cerdas deben estar en contacto con el suelo para formar un aislamiento en el perímetro inferior del alojamiento de rack. Si se retiran las tiras de cepillo puede reducirse la eficiencia de la refrigeración del alojamiento.**

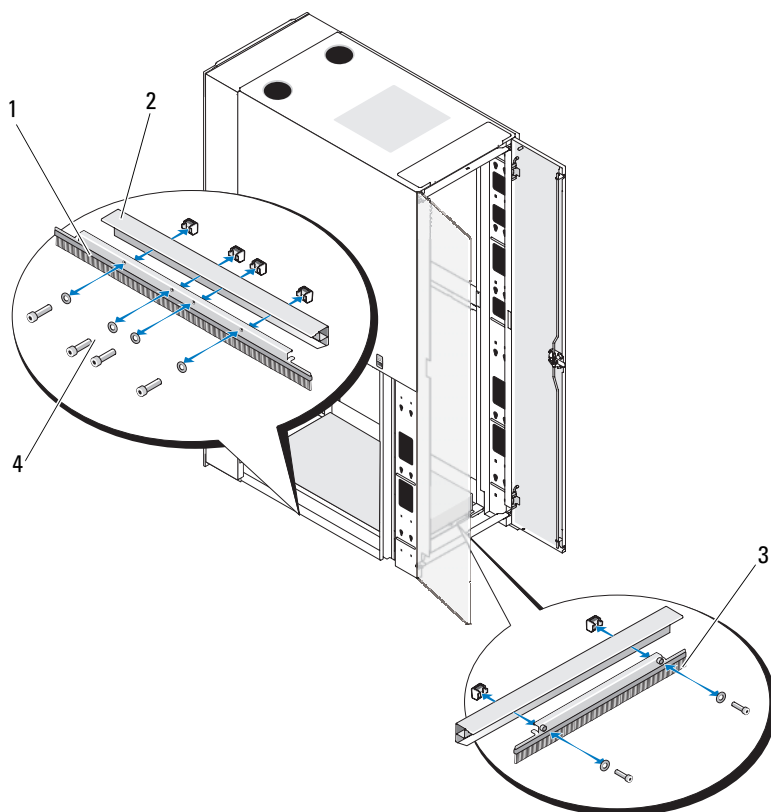
Para instalar las tiras de cepillo en el lateral del rack:

- 1 Extraiga el panel lateral. Vea la “Extracción de los paneles laterales inferiores” en la página 195.
- 2 Alinee los soportes de las tiras de cepillo con el armazón del rack e inserte dicho soporte en el armazón. Vea la ilustración 6.
- 3 Fije el soporte de la tira de cepillo mediante los cuatro tornillos y arandelas. Vea la ilustración 6.
- 4 Coloque el panel lateral inferior. Consulte el apartado “Colocación de los paneles laterales inferiores” en la página 195.
- 5 Repita del paso 1 al paso 4 con el otro panel lateral.

Para instalar la tira de cepillo en la parte posterior del rack:

- 1 Gire el tirador de la puerta un cuarto de vuelta en el sentido de las agujas del reloj para abrir las puertas posteriores. Vea la ilustración 2.
- 2 Alinee los soportes de las tiras de cepillo con el armazón del rack e inserte dicho soporte en el armazón. Vea la ilustración 6.
- 3 Fije el soporte de la tira de cepillo mediante los dos tornillos y arandelas. Vea la ilustración 6.
- 4 Cierre la puerta posterior.

Ilustración 6. Instalación y extracción de las tiras de cepillo



1 soportes de las tiras laterales (2)

2 armazón del rack

3 soporte de la tira posterior

4 tornillos y arandelas

Extracción y colocación de la cubierta de la extensión de servicio



AVISO: La cubierta de la extensión de servicio sólo debe retirarse al instalar o quitar componentes de las unidades de espacio superiores del rack y debe volver a colocarse inmediatamente. Los componentes del rack pueden sobrecalentarse si la cubierta de la extensión de servicio no se coloca en el alojamiento de rack.



NOTA: No utilice la cubierta de la extensión de servicio como salida para sacar cables fuera del rack.

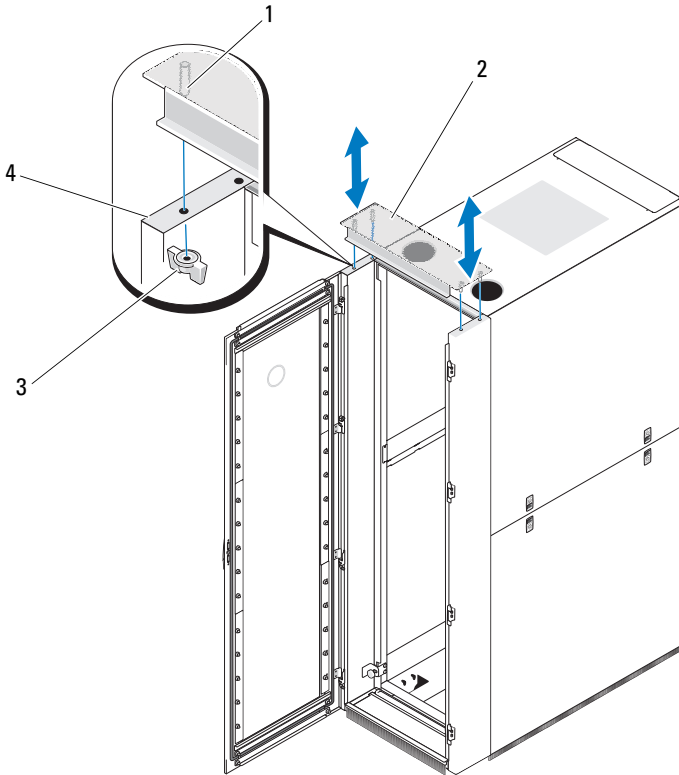


NOTA: La extracción de la cubierta de la extensión de servicio permite instalar y reparar más cómodamente los equipos en las unidades de espacio superiores del rack.

Extracción de la cubierta de la extensión de servicio

- 1 Afloje y retire las cuatro palomillas situadas en la cara superior interior de la extensión. Vea la ilustración 7.
- 2 Levante la cubierta de la extensión de servicio hasta que los vástagos se separen de los orificios en la extensión.
- 3 Extracción de la cubierta de la extensión de servicio

Ilustración 7. Extracción y colocación de la cubierta de la extensión de servicio



- | | | | |
|---|----------------|---|--------------------------------------|
| 1 | vástagos (4) | 2 | cubierta de la extensión de servicio |
| 3 | palomillas (4) | 4 | extensión |

Extracción de la cubierta de la extensión de servicio

- 1 Alinee los vástagos con los orificios en la extensión y baje la cubierta de la extensión de servicio sobre la parte superior del rack. Vea la ilustración 7.
- 2 Coloque las cuatro palomillas.

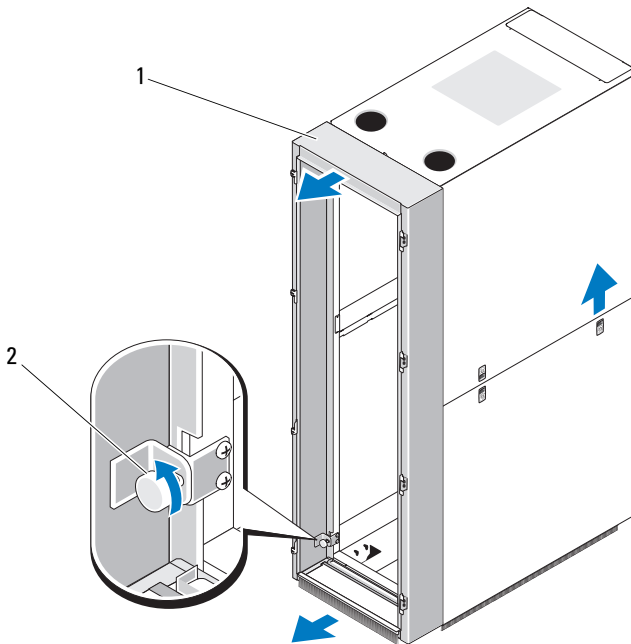
Extracción y colocación de la extensión

⚠ AVISO: No intente nunca extraer o instalar la extensión sin la ayuda de otra persona. Este procedimiento requiere al menos dos personas debido al tamaño y al peso de la extensión.

Extracción de la extensión

- 1 Extraiga la puerta frontal. Consulte el apartado “Extracción de la puerta frontal” en la página 189.
- 2 Asegúrese de que la cubierta de la extensión de servicio está instalada. Vea la ilustración 8.
- 3 Quite los cuatro tornillos estriados que fijan la extensión al rack.
- 4 Levante la extensión y retírela del rack. Vea la ilustración 8.

Ilustración 8. Extracción y colocación de la extensión



- 1 cubierta de la extensión de servicio 2 tornillos estriados (4)

Colocación de la extensión

Para colocar la extensión, realice los mismos pasos que para extraerla pero en orden inverso.

Inversión de la puerta frontal (opcional)

Para invertir la dirección de apertura de la puerta frontal, realice los pasos siguientes:

- 1 Extraiga la puerta frontal. Consulte el apartado “Extracción de la puerta frontal” en la página 189.
- 2 Con un destornillador Torx T30 y una llave de 10 mm, quite los tornillos que fijan las bisagras a la extensión. Vea la ilustración 9.

Las dos bisagras superiores están marcadas con el número 1 y las dos bisagras inferiores están marcadas con el número 2.



NOTA: El número 1 se encuentra boca abajo mientras que el número 2 se encuentra boca arriba.

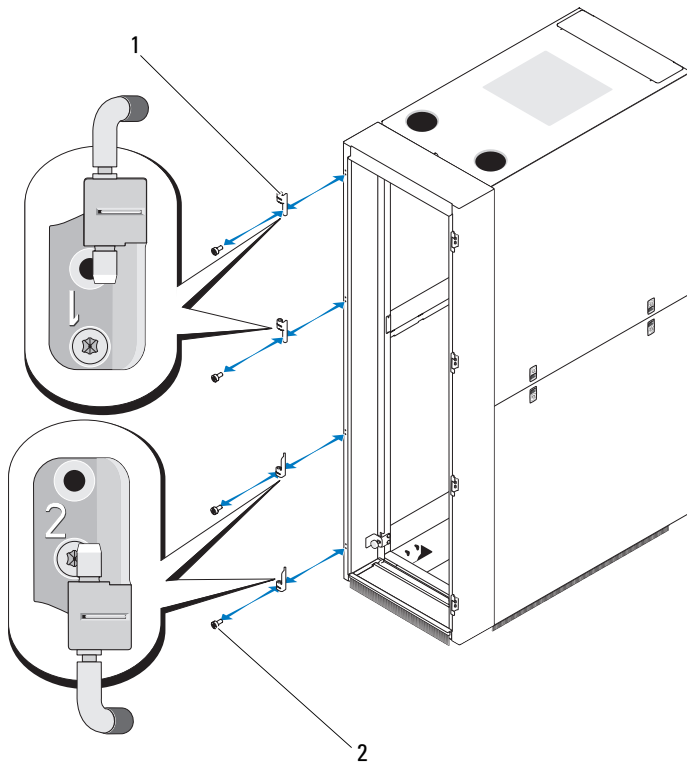


NOTA: Al quitar los tornillos, recoja las tuercas sueltas del interior de la extensión.



NOTA: Cada bisagra se fija a la extensión con un único tornillo que se colocan en el orificio inferior de la bisagra.


Ilustración 9. Extracción de las bisagras de la extensión



1 bisagras (4)

2 tornillos y tuercas (4 de cada)

- 3** Con un destornillador Torx T30 y una llave de 10 mm, quite los tornillos que fijan las lengüetas a la extensión. Vea la ilustración 10.

 **NOTA:** Al quitar los tornillos, recoja las tuercas sueltas del interior de la extensión.


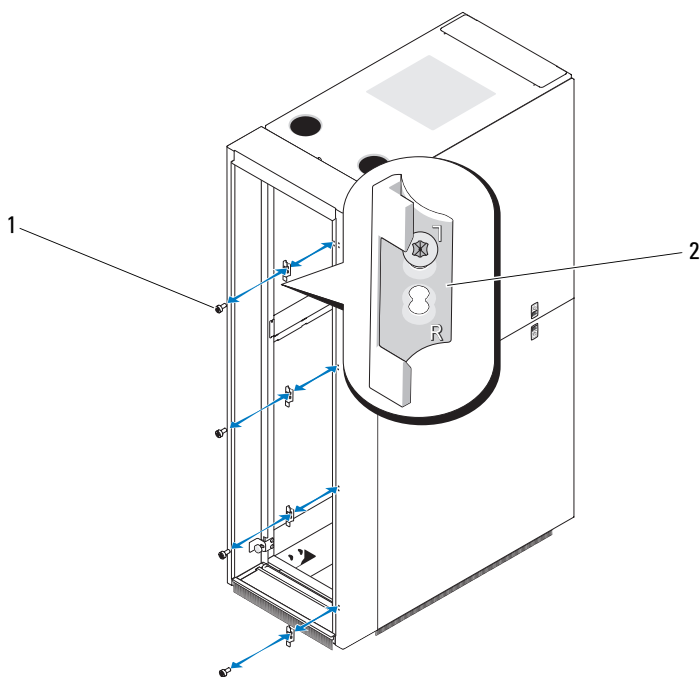
 **NOTA:** Cada lengüeta muestra la letra L en un extremo y la letra R en el otro. Las lengüetas están orientadas de modo que el tornillo se coloque en el orificio superior de cada lengüeta. Los tornillos de las lengüetas se colocan en el orificio más próximo a la letra L.

Ilustración 10. Extracción de las lengüetas de la extensión



1 tornillos y tuercas (4 de cada)

2 lengüetas (4)

- 4 Invierta las lengüetas y fíjelas en el extremo opuesto de la extensión mediante tornillos y tuercas. Vea la ilustración 11.


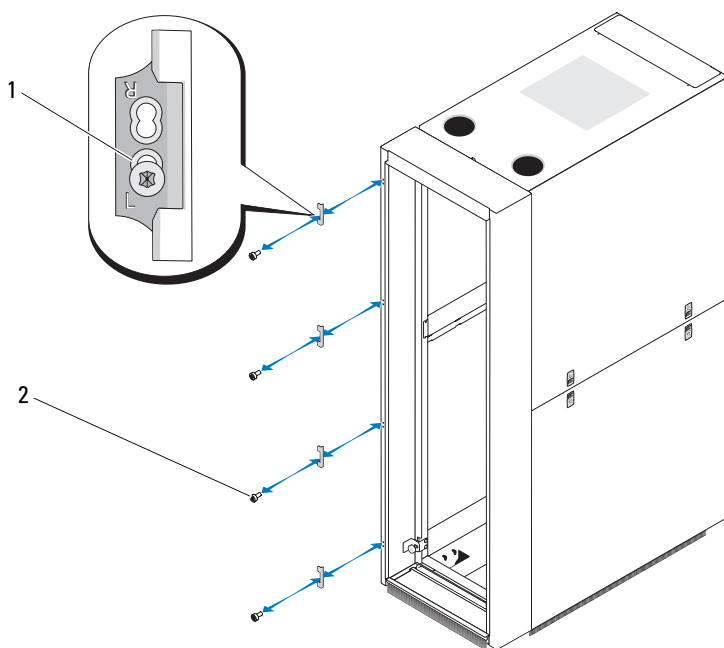
 **NOTA:** Las lengüetas se deben orientar de modo que el tornillo se coloque en el orificio inferior de cada lengüeta. El tornillo de cada lengüeta se coloca en el orificio más próximo a la letra L.

Ilustración 11. Instalación de las lengüetas en la extensión




1 lengüetas (4)

2 tornillos y tuercas (4 de cada)

- 5 Invierta las bisagras y fíjelas en el extremo opuesto de la extensión mediante tornillos y tuercas. Vea la ilustración 12.

Las dos bisagras superiores están marcadas con el número 1 y las dos bisagras inferiores están marcadas con el número 2.

 **NOTA:** El número 1 se encuentra boca arriba mientras que el número 2 se encuentra boca abajo.


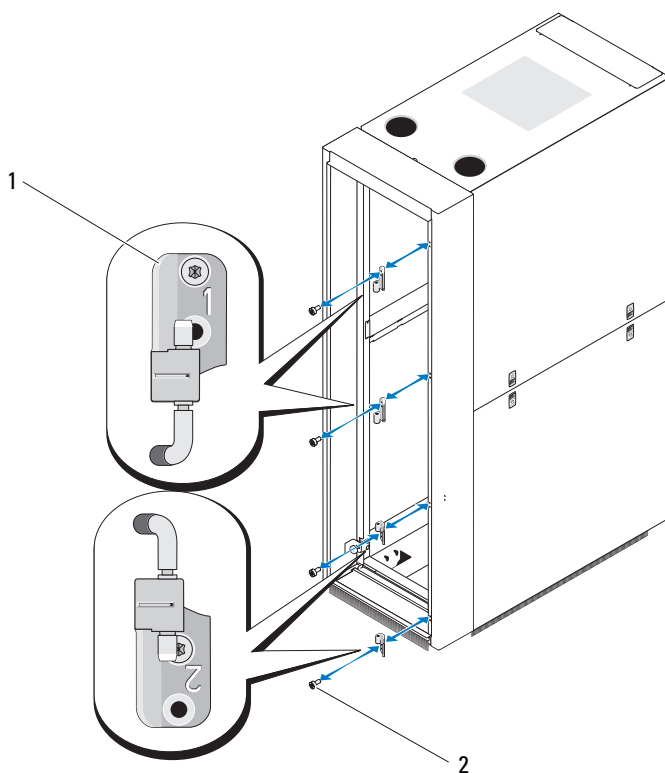
 **NOTA:** Cada bisagra se fija a la extensión con un único tornillo que se colocan en el orificio inferior de la bisagra.

Ilustración 12. Instalación de las bisagras en la extensión




1 bisagras (4)


2 tornillos y tuercas (4 de cada)

6 Gire la ventana.

- a** Coloque la puerta en el suelo.
- b** Con una llave de 10 mm, quite todas las tuercas que fijan la ventana a la puerta frontal. Vea la ilustración 13.

 **NOTA:** Se recomienda colocar la puerta sobre una superficie suave y limpia para reducir el riesgo de rayar la ventana y la insignia de Dell.

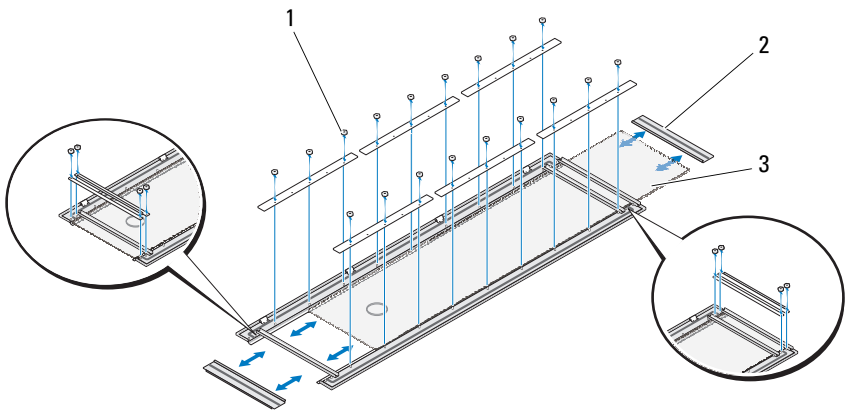
- c** Retire los bordes superior e inferior y extraiga la ventana deslizándola a través del extremo superior o inferior de la puerta. Vea la ilustración 13.

 **NOTA:** Al volver a instalar la ventana, asegúrese de que la insignia de Dell se encuentra en el mismo lado de la puerta que el tirado.

- d** Gire la ventana y deslícela nuevamente en la puerta de modo que la insignia se encuentre ahora en el extremo opuesto de la puerta.

- e** Coloque los bordes superior e inferior y todas las tuercas que fijan la ventana a la puerta frontal. Vea la ilustración 13.

Ilustración 13. Giro de la ventana de la puerta frontal

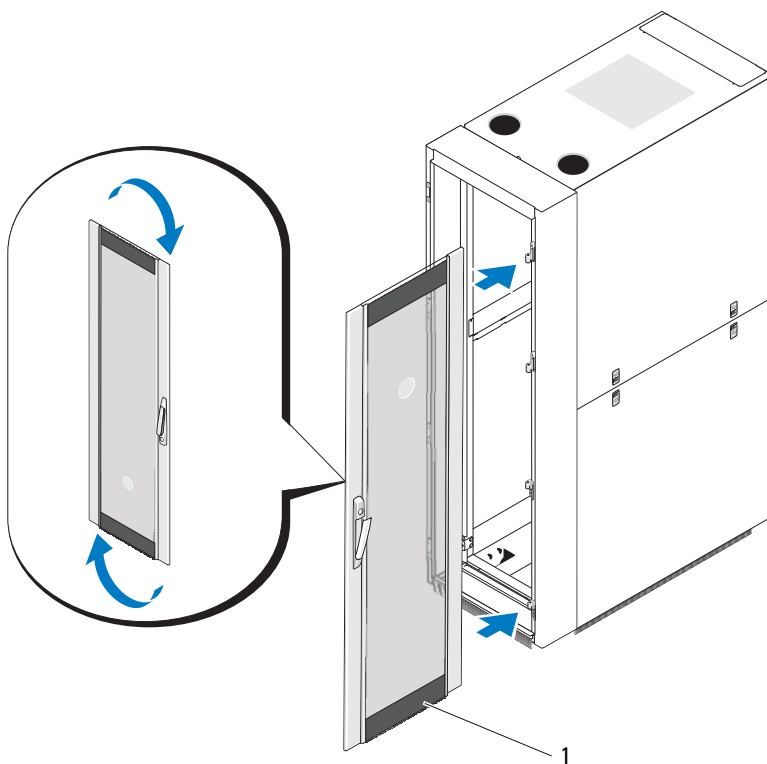


- 1 tuercas
- 3 ventana

- 2 bordes (2)

- 7 Vuelva a colocar la puerta con los alojamientos del pasador de la bisagra pasador de la bisagra situado a la derecha y el cierre situado en el lado izquierdo de la puerta. Vea la ilustración 14.

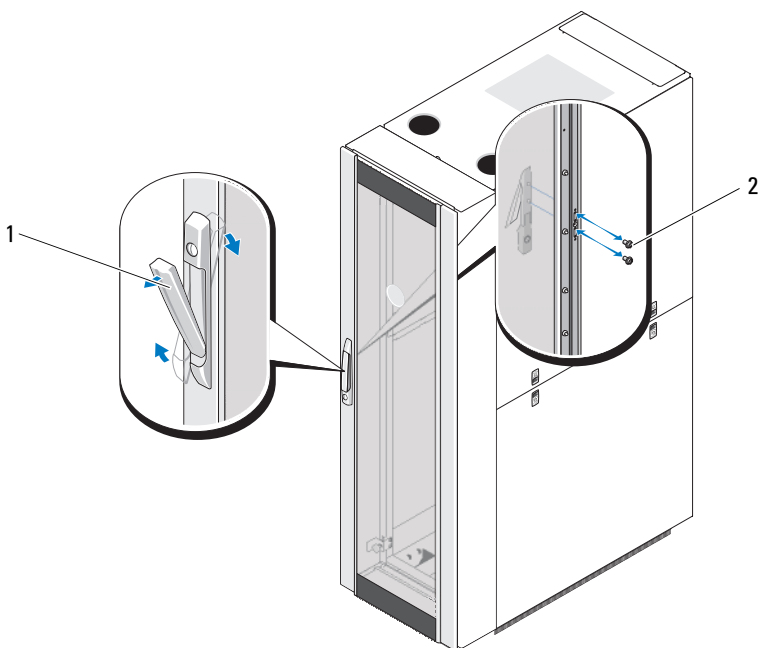
Ilustración 14. Instalación de la puerta frontal



1 puerta frontal

- 8** Gire el tirador.
- a** Abra el tirador y asegúrese que los dos tornillos son accesibles.
 - b** Marque la posición de la articulación con relación a la guarnición interior de la puerta con un trozo de cinta adhesiva o un útil de marcar. Vea la ilustración 15.
 - c** Con un destornillador Torx T20, quite los dos tornillos que fijan el tirador. Vea la ilustración 15.
 - d** Gire el tirador. Vea la ilustración 15.

Ilustración 15. Giro de la ventana de la puerta frontal



1 tirador

2 tornillos (2)

- e** Con el tirador en la posición de abierto y las marcas de la articulación alineadas, alinee los orificios del tirador y coloque los tornillos. Vea la ilustración 15.





NOTA: Si se utilizó un trozo de cinta para marcar las articulaciones, retírelo.

Fijación de los pies niveladores del rack


 **AVISO:** Antes de ajustar los pies niveladores, lea todas las instrucciones que figuran a continuación.


- El rack Energy Smart debe colocarse sobre la rejilla perforada.
- El rack incluye cuatro pies niveladores, que se montan en las esquinas del armazón del rack.
- Los pies niveladores sirven para mantener el rack en posición vertical y nivelada cuando éste se encuentra en un suelo cuya superficie es ligeramente irregular.
- Antes de instalar los sistemas en el rack, instale y ajuste los pies niveladores.
- Ajuste los pies niveladores después de que el rack esté correctamente colocado así como las tiras de cepillo que rodean la zona perforada.


 **AVISO:** Cuando ajuste los pies niveladores, asegúrese de que la distancia entre el suelo y las ruedas de cada esquina del rack no sea superior a 9,5 mm. Si quedan más de 5,0 mm de espacio libre entre el suelo y las ruedas, contraiga *lentamente* los pies niveladores y, a continuación, traslade el rack a otro lugar que requiera ajustes mínimos en los pies niveladores.

 **AVISO:** Ajuste los pies niveladores de forma que cada pie quede apoyado firmemente sobre el suelo. El contacto correcto con el suelo garantiza que cada pie nivelador aguante el peso del rack y evita que éste se balancee en cualquier dirección. Si los pies niveladores no tienen un contacto firme con el suelo, el rack puede quedar inestable y volcar.

 **AVISO:** No intente trasladar el rack con los pies niveladores instalados. Antes de trasladar el rack, contraiga siempre los pies niveladores. Si traslada el rack mientras los pies niveladores están instalados, éste puede volcar.

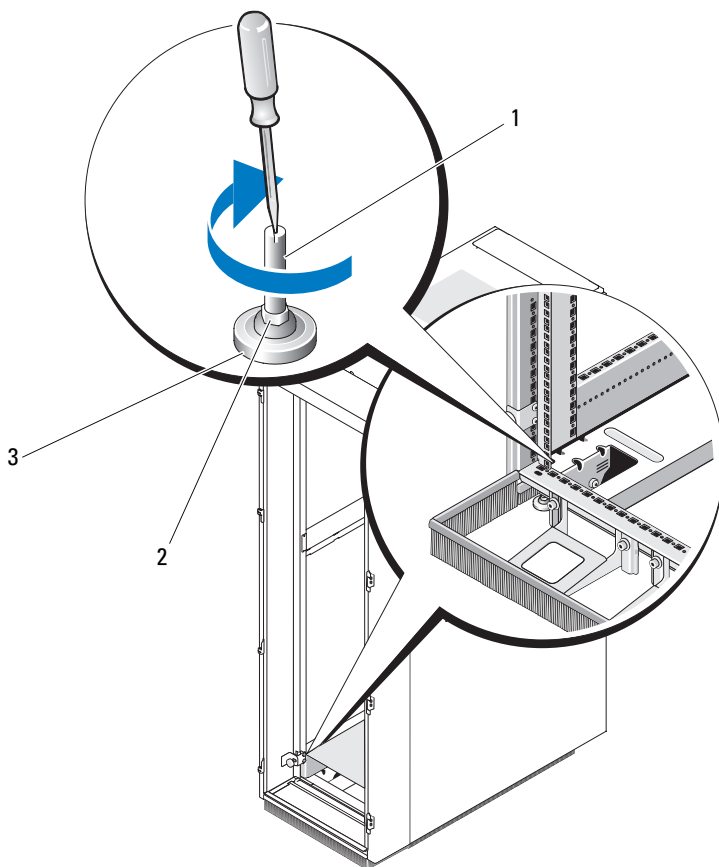
 **AVISO:** Antes de instalar los sistemas, nivele siempre el rack e instale los pies estabilizadores. Es posible que un rack cargado por completo vuelque si no se encuentra en un suelo cuya superficie es regular y los pies niveladores y estabilizadores no aguantan el peso del rack.

 **NOTA:** Si el rack no está nivelado correctamente, es posible que no pueda instalar los pies estabilizadores, que son necesarios para evitar que el rack vuelque.

 **NOTA:** Para mantener la eficiencia de la refrigeración, asegúrese de que todas las tiras de cepillo están instaladas

- 1 Con un destornillador, baje el pie nivelador hasta que quede apoyado en el suelo.
- 2 Para bajar más el pie, apriete la tuerca hexagonal en el sentido de las agujas del reloj con una llave de 12 mm. Vea la ilustración 16.
- 3 Repita el paso 1 y el paso 2 con los pies niveladores restantes.
- 4 Asegúrese de que el rack está nivelado.

Ilustración 16. Ajuste de los pies niveladores



1 vástago del pie nivelador
3 base

2 tuerca hexagonal

Instalación de los pies estabilizadores del rack



AVISO: Si se montan sistemas en un rack sin haber instalado los pies estabilizadores frontales y laterales, el rack podría volcar y llegar a causar daños personales en determinadas circunstancias. Por lo tanto, instale siempre los pies estabilizadores antes de instalar los componentes en el rack.

Instale los pies estabilizadores en el rack de la manera siguiente:

- 1 Instale los pies estabilizadores frontales y laterales en un rack independiente.
- 2 Instale los pies estabilizadoras delanteros en todos los bastidores en un conjunto e instale los pies estabilizadores en los laterales de los rack en cada extremo del conjunto.

Instalación de los pies estabilizadores frontales

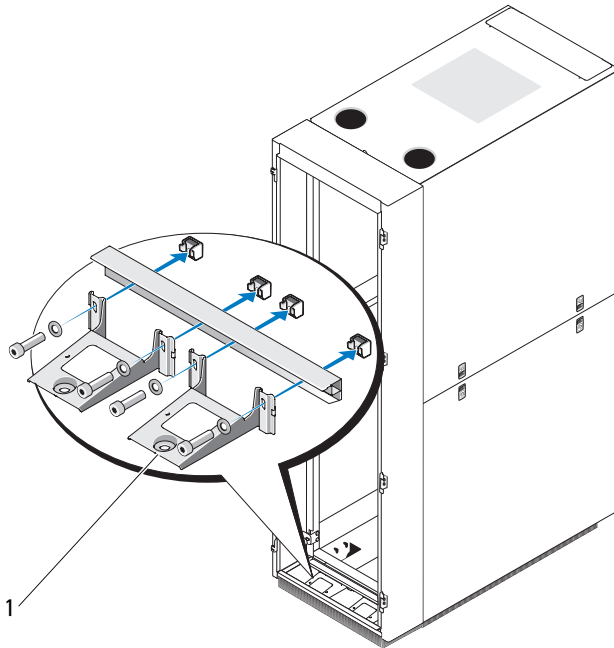
- 1 Abra la puerta frontal.



NOTA: Los estabilizadores están situados en una caja de accesorios que se suministra con el alojamiento de rack.

- 2 Coloque cada pie estabilizador frontal contra la base del armazón del rack y alinee sus orificios con los orificios correspondientes del armazón.
- 3 Con una llave Allen de 6 mm, fije cada pie del rack utilizando los pernos, las arandelas y las tuercas prisioneras. Vea la ilustración 17.

Ilustración 17. Instalación de los pies estabilizadores frontales



- 1 pies estabilizadores frontales (2)

Instalación de los pies estabilizadores laterales

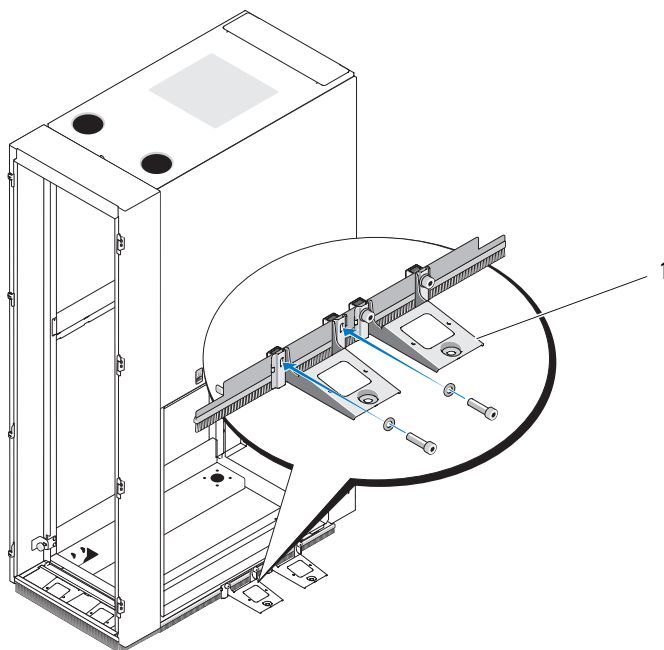


NOTA: Para mantener la eficiencia de la refrigeración, asegúrese de que todas las tiras de cepillo están instaladas.

- 1 Extraiga los paneles laterales inferiores. Consulte el apartado “Extracción de los paneles laterales inferiores” en la página 195.
- 2 Localice los cuatro orificios en el lateral del riel inferior del armazón del rack que unen las tiras de cepillo laterales al mismo. Vea la ilustración 18.
- 3 Con una llave Allen de 6 mm, quite los tornillos y las arandelas de un único estabilizador.
- 4 Coloque un pie estabilizador contra el soporte de la tira de cepillo con los orificios alineados y, a continuación, coloque los tornillos y las arandelas.


- 5 Repita el paso 3 y el paso 4 para instalar el segundo estabilizador del mismo lado.
- 6 Repita todo el proceso para instalar los pies estabilizadores en el lado opuesto del alojamiento de rack. Vea la ilustración 18.
- 7 Coloque los paneles laterales inferiores. Consulte el apartado “Colocación de los paneles laterales inferiores” en la página 195.

Ilustración 18. Instalación de los pies estabilizadores laterales



- 1 pie estabilizador lateral (2 por lado)

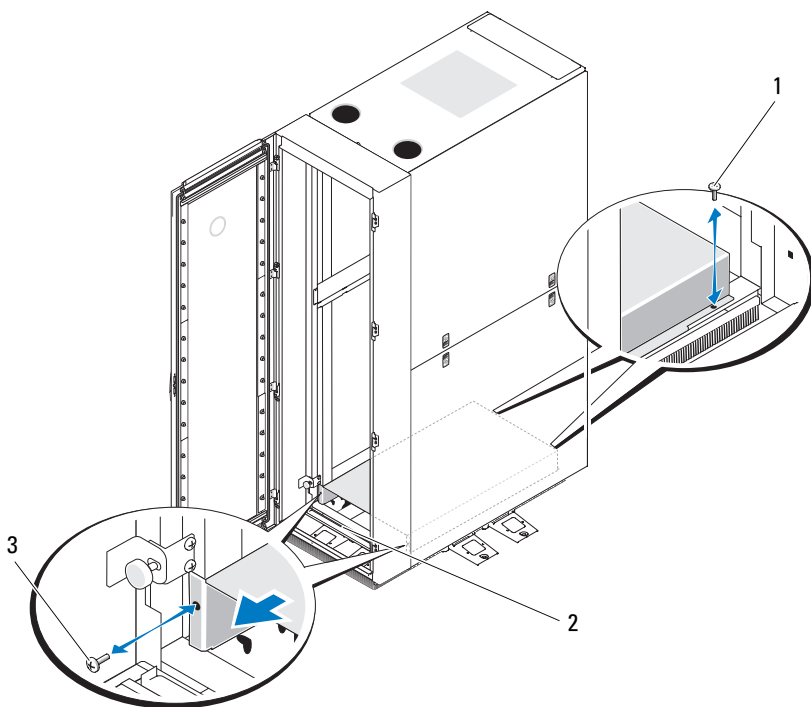
Ajuste de los postes posteriores del rack (opcional)

 **NOTA:** No mueva los postes frontales del rack ubicados en el alojamiento de rack.

Es posible ajustar la posición de los postes del rack para alojar sistemas con diferentes profundidades.

- 1 Abra las puertas del rack.
- 2 Para extraer el conducto de aire del rack, quite los dos tornillos de la pestaña delantera (uno por lado) y los dos tornillos de la parte trasera del rack con un destornillador en cruz Phillips del n° 2. Vea la ilustración 19.
- 3 Empuje el conducto de aire hacia adelante o extráigalo del alojamiento de rack para acceder a los tornillos inferiores del poste del rack. Vea la ilustración 19.

Ilustración 19. Extracción del conducto de aire



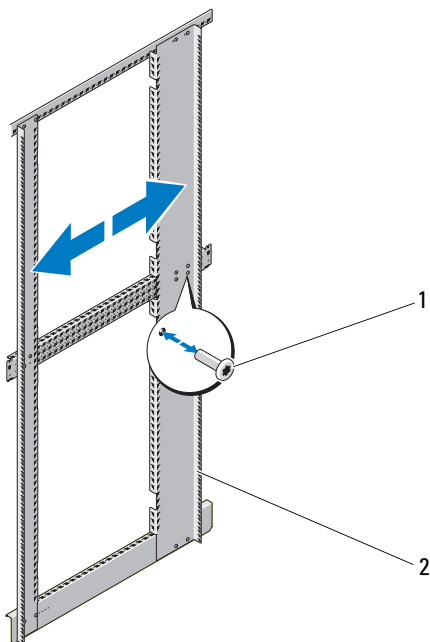
1 tornillos posteriores (2)

2 conducto de aire

3 tornillos frontales (2)

- 4 Quite los tornillos de la parte inferior, central y superior del poste.
Vea la ilustración 20.
- 5 Mueva el poste a la ubicación deseada dentro del lateral del rack y vuelva a colocar los tornillos en los orificios correspondientes.

Ilustración 20. Ajuste de los postes posteriores del rack



1 tornillos

2 poste posterior del rack

- 6 Reinstale el conducto de aire repitiendo de forma inversa el proceso llevado a cabo para extraerlo.



NOTA: El conducto de aire debe permanecer siempre en la parte inferior del rack (en 1U y 2U) y no deben desplazarse a otra posición en el rack.



NOTA: A menos que deba acoplar dos o más racks, ahora ya puede instalar los sistemas en el rack. Consulte las etiquetas blancas numeradas situadas en la parte frontal y posterior de los rieles de montaje del rack para obtener información sobre cómo instalar componentes en el rack.

Colocación de los cables

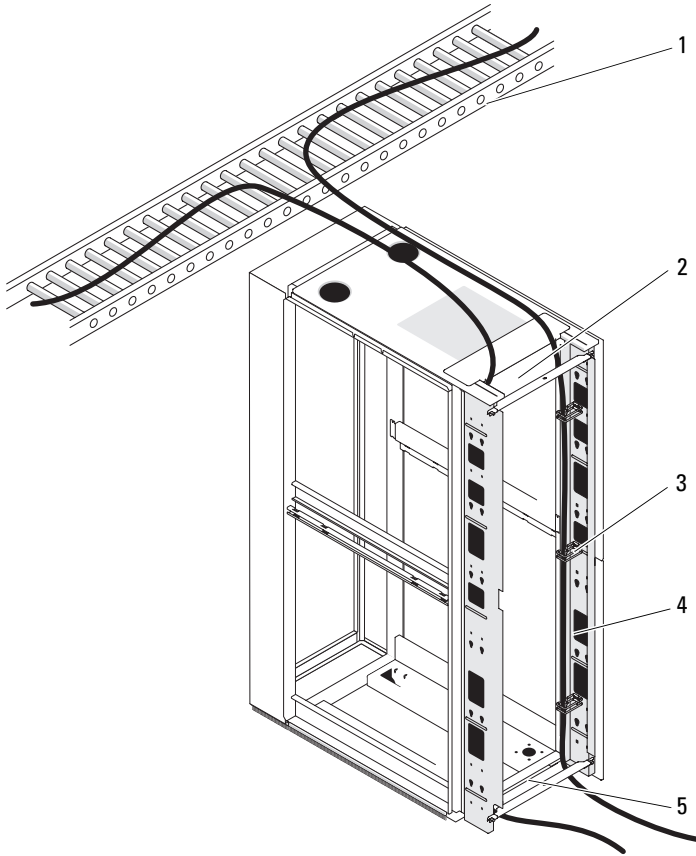
El rack incorpora diversas características que simplifican el cableado. Vea la ilustración 21.

- Los canales de unidad de distribución de alimentación (PDU) en cada superficie del rack permiten colocar los cables de alimentación en los sistemas montados en el rack.
- Pueden montarse sujeciones para cables en los canales PDU para que los cables queden fuera del paso y evitar que se enreden.

En una configuración estándar, puede sacar del rack los cables de dos modos:

- Mediante la salida de cables situada en la parte inferior de las puertas posteriores. Vea la ilustración 21.
- Mediante la ranura ajustable para cables situada en la parte superior del rack hacia una bandeja. Vea la ilustración 21.

Ilustración 21. Opciones de cableado



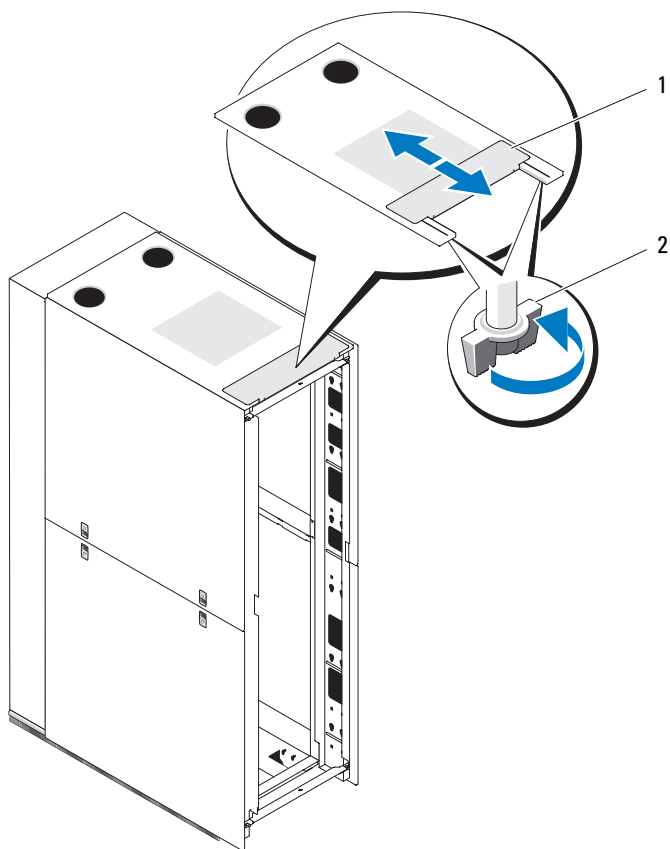
- | | | | |
|---|-----------------------------|---|-----------------------------|
| 1 | bandeja | 2 | ranura superior para cables |
| 3 | sujetiones para cables | 4 | canales PDU (2 por lateral) |
| 5 | salida inferior para cables | | |

Apertura y cierre de la ranura superior para cables

La ranura superior para cables del rack se puede utilizar para colocar los cables hasta una bandeja.

- 1** Abra las puertas posteriores.
- 2** Afloje las palomillas que se encuentran debajo de la cubierta de la ranura para cables. Vea la ilustración 22.
- 3** Deslice la cubierta de la ranura para cables hacia la parte frontal del rack.
- 4** Coloque los cables a través de la parte superior del rack.
- 5** Cierre los huecos que queden en la ranura para cables tirando de la cubierta de la ranura hacia la parte posterior del rack.
- 6** Fije la cubierta utilizando las palomillas.

Ilustración 22. Apertura y cierre de la ranura superior para cables



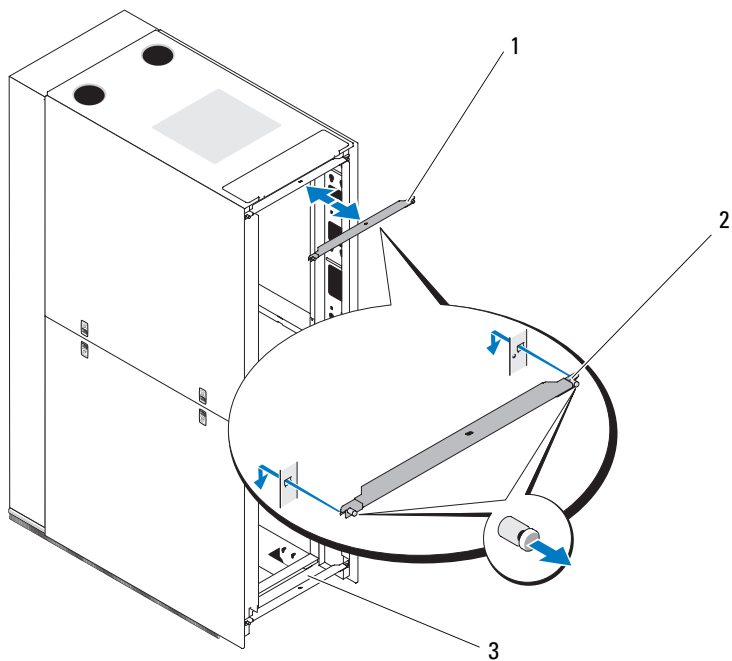
- 1 cubierta de la ranura para cables 2 palomillas (2)

Extracción e instalación de las barras estabilizadoras de las puertas posteriores

Es posible extraer las barras superiores e inferiores que se utilizan para estabilizar las puertas posteriores, lo que facilita la colocación de los cables en la parte superior e inferior del rack.

- 1** Abra las puertas posteriores.
- 2** Tire de los fiadores situados en cada lateral de la barra y manténgalos en esa posición y, a continuación, levante la barra y extráigala del rack. Vea la ilustración 23.
- 3** Coloque los cables y vuelva a instalar las barras alineando sus resaltes con los orificios correspondientes en el rack.
- 4** Presione los fiadores hasta fijarlos en su posición.

Ilustración 23. Extracción e instalación de las barras estabilizadoras de las puertas posteriores



- 1 barra estabilizadora de las puertas posteriores (barra superior)
- 2 fiadores (2 por barra)
- 3 barra estabilizadora de las puertas posteriores (barra inferior)

Acoplamiento de dos racks

! **AVISO:** No intente nunca extraer o instalar las puertas del rack sin la ayuda de otra persona. Este procedimiento requiere al menos dos personas debido al tamaño y al peso de las puertas del armario rack.

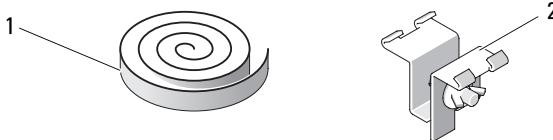
! **AVISO:** Debe instalar los pies estabilizadores frontales en la parte delantera del rack y los extremos tras colocar los kits de interconexión.

- 1 Desembale e instale los dos racks.
- 2 Desembale el kit de acoplamiento. Vea la ilustración 24.

El contenido del kit de acoplamiento de racks incluye:

- Un burlete
- Cuatro soportes de acoplamiento

Ilustración 24. Kit de acoplamiento de racks



1 burlete

2 soportes de acoplamiento (4)

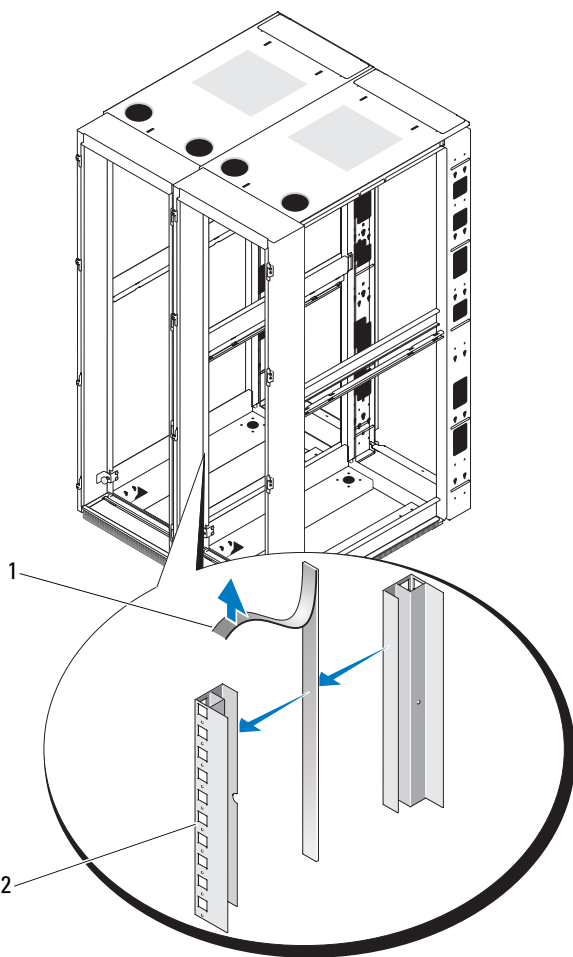
! **AVISO:** Deben instalarse todas las tiras de cepillo suministrados y sus cerdas deben estar en contacto con el suelo para formar un aislamiento en el perímetro inferior del alojamiento de rack. Si se retiran las tiras de cepillo puede reducirse la eficiencia de la refrigeración del alojamiento.

- 3 Extraiga las puertas y los paneles laterales de ambos racks. Consulte los apartados “Extracción de la puerta frontal” en la página 190, “Extracción de las puertas posteriores” en la página 191 y “Extracción y colocación de los paneles laterales” en la página 193.
- 4 Corte y coloque un trozo del burlete, sin el revestimiento protector, en uno de los racks. El burlete debe colocarse a lo largo de la superficie del armazón que estará en contacto con el rack adyacente. Vea la ilustración 25.

✍ **NOTA:** Asegúrese de que el burlete no se coloca sobre la extensión.

✍ **NOTA:** No importa el rack en el que coloque los fragmentos del burlete, siempre que protejan los dos racks para que no se rayen.

Ilustración 25. Colocación del burlete

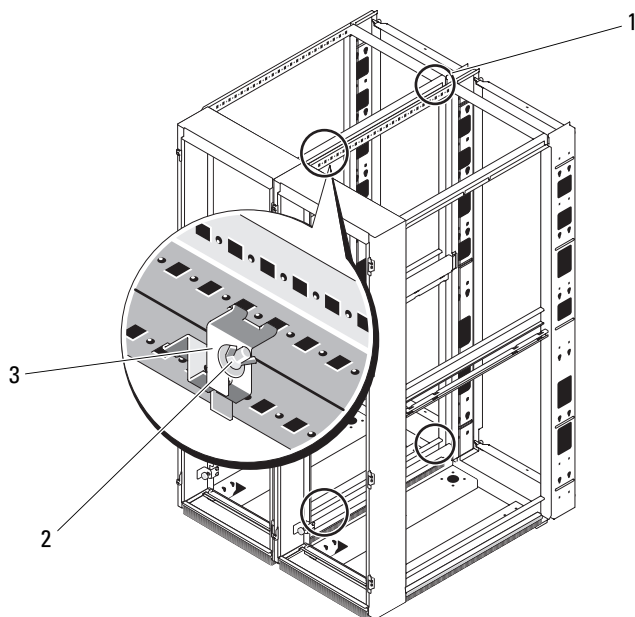


1 burlete

2 armazón del rack

- 5** Instale los soportes de acoplamiento.
 - a** Coloque los dos racks uno al lado del otro.
 - b** Ajuste los pies niveladores de los dos racks para que los racks queden en paralelo y en el mismo plano horizontal. Para obtener más información, consulte el apartado “Ajuste de los pies niveladores” en la página 211.
 - c** Enganche los soportes en los orificios cuadrados interiores y adyacentes a los postes del rack y apriete los soportes mediante las palomillas. Vea la ilustración 26.
- 6** Instale de los pies estabilizadores frontales Consulte el apartado “Instalación de los pies estabilizadores frontales” en la página 212.
- 7** Vuelva a colocar las puertas y los paneles laterales exteriores de ambos racks. Consulte los apartados “Extracción de la puerta frontal” en la página 190, “Extracción de las puertas posteriores” en la página 191 y “Extracción y colocación de los paneles laterales” en la página 193.

Ilustración 26. Acoplamiento de dos racks



- 1 ubicaciones de los soportes de acoplamiento
- 2 palomilla
- 3 soporte de acoplamiento (4)